

CRAFCO

**E-Z POUR 50 MELTER
WITH PUMP/APPLICATOR**

SAFETY PRECAUTIONS

- *High operating temperatures of Sealant & Machine require protective clothing and gloves be worn by operator.
- *Always wear eye protection.
- *Observe all CAUTION & WARNING signs posted on machine.
- *Avoid the entrance of water into any part of the machine. Water will displace heat transfer oil or sealant which could be hazardous to personnel surrounding the machine when it reaches operating temperatures.
- *Avoid bodily contact with hot sealant material or heat transfer oil, serious burns may result.
- *Read Operator Manual thoroughly before operating machine.
- *Make sure operator is familiar with machine operation.
- *Do not operate in closed building or confined areas.
- *Shut-down burner & engine prior to refilling LPG Tanks.
- *When adding solid material to Sealant Tank, stop mixer, lift lid, place material onto lid and close lid before restarting mixer. Hot material could splash and cause serious burns if this procedure is not followed.
- *Keep hands, feet and clothing away from all moving parts.
- *Always keep a fire extinguisher near the unit. Maintain extinguisher properly and be familiar with its use.
- *Do not exceed 525° F. for heat transfer oil temperature.
- *Do not overfill heat transfer oil level. Expansion of oil during heat up could cause overflow. Check oil each day before starting burner, add oil to touch bottom of dipstick if required (at 70° F.) Use only recommended heat transfer oil and change after 500 hours of operation or one year, whichever occurs first.
- *Follow operating instructions for starting and shut-down of burner. Instructions are mounted on control box.
- *Calibrate temperature control prior to initial operation and each 50 hours of operation.
- *Replace any hoses which show signs of wear, fraying or splitting. Be sure all fittings and joints are tight and leakproof.
- *Precaution is the best insurance against accidents.
- *The E-Z Pour 50P Melter should not be left unattended with burner lit.
- *Tighten all bolts and screws after every 100 hours of operation.
- *CRAFICO, INC. assumes no Liability for an accident or injury incurred through improper use of the machine.

E-Z POUR 50 MELTER

WITH PUMP/APPLICATOR

This manual is furnished with each new CRAFTCO E-Z POUR 50 MELTER. The manual will help your machine operators learn to run the sealer properly and understand its mechanical functions for trouble-free operation.

Your CRAFTCO E-Z POUR 50 MELTER is designed to give excellent service and save maintenance expense. However, as with all specially engineered equipment, you can get best results at minimum costs if:

- (1) You operate your machine as instructed in this manual, and
- (2) Maintain your machine regularly as stated in this manual.

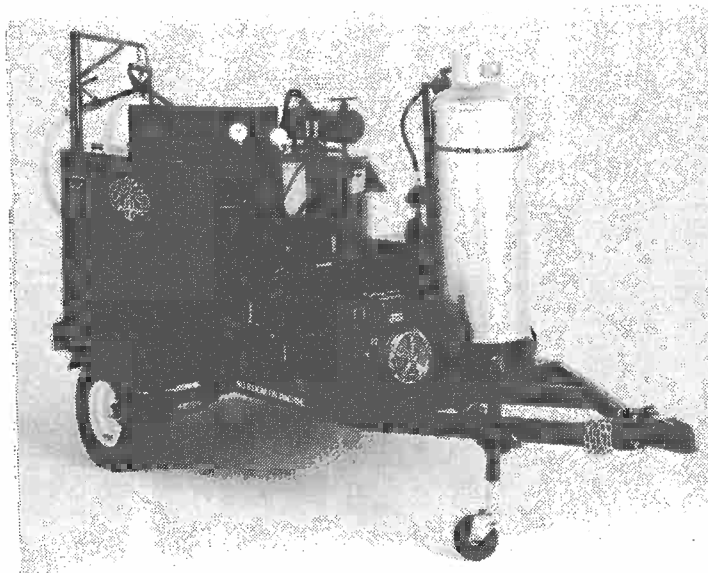


TABLE OF CONTENTS

Safety Precautions.	3
Warranty.	4
Warranty Claim Instructions.	5
Specifications.	6
Operating Instructions.	7
Machine Start Up.	8
Temperature Control Calibration.	12
Caution.	12
Loading Machine.	13
Shutdown & Cleaning.	13
Storing Machine.	13
Burner Control Wiring Diagram.	14
Burner Trouble Shooting Guide.	14
Trouble Shooting Chart.	15
Service Instructions.	16
Maintenance Instructions.	16
Maintenance Chart.	17
Fluids & Lubricants.	17
Warning for Heat Transfer Oil & All Oils.	18
General Maintenance Items.	18
Instructions for Ordering Parts.	18
Parts List.	19-21
Hydraulic Piping.	22-23
LPG Piping Sequence.	23-24
E-Z Pour 50P Melter Blowup.	25-26
Control Box Blowup.	26
Hydraulic Piping Diagram.	27
LPG Piping Diagram.	28

SAFETY PRECAUTIONS

- *High operating temperatures of Sealant & Machine require protective clothing and gloves be worn by operator.
- *Always wear eye protection.
- *Observe all CAUTION & WARNING signs posted on machine.
- *Avoid the entrance of water into any part of the machine. Water will displace heat transfer oil or sealant which could be hazardous to personnel surrounding the machine when it reaches operating temperatures.
- *Avoid bodily contact with hot sealant material or heat transfer oil, serious burns may result.
- *Read Operator Manual thoroughly before operating machine.
- *Make sure operator is familiar with machine operation.
- *Do not operate in closed building or confined areas.
- *Shut-down burner & engine prior to refilling LPG Tanks.
- *When adding solid material to Sealant Tank, stop mixer, lift lid, place material onto lid and close lid before restarting mixer. Hot material could splash and cause serious burns if this procedure is not followed.
- *Keep hands, feet and clothing away from all moving parts.
- *Always keep a fire extinguisher near the unit. Maintain extinguisher properly and be familiar with its use.
- *Do not exceed 525° F. for heat transfer oil temperature.
- *Do not overfill heat transfer oil level. Expansion of oil during heat up could cause overflow. Check oil each day before starting burner, add oil to touch bottom of dipstick if required (at 70° F.) Use only recommended heat transfer oil and change after 500 hours of operation or one year, whichever occurs first.
- *Follow operating instructions for starting and shut-down of burner. Instructions are mounted on control box.
- *Calibrate temperature control prior to initial operation and each 50 hours of operation.
- *Replace any hoses which show signs of wear, fraying or splitting. Be sure all fittings and joints are tight and leakproof.
- *Precaution is the best insurance against accidents.
- *The E-Z Pour 50P Melter should not be left unattended with burner lit.
- *Tighten all bolts and screws after every 100 hours of operation.
- *CRAFCO, INC. assumes no Liability for an accident or injury incurred through improper use of the machine.

E-Z POUR 50 MELTER LIMITED WARRANTY

Crafco, Inc., through its authorized distributor, will replace for the original purchaser free of charge any parts found upon examination by the factory at Chandler, Arizona, to be defective in material or workmanship. This warranty is for a period within 60 days of purchase date, but excludes engine/or components, tires, and battery as these items are subject to warranties issued by their manufacturers.

After 60 days, Crafco, Inc. warrants structural parts, excluding heating system, hydraulic components, material pump and hoses, hot oil pump, applicator valves, and electrical components for a period of (1) one year from date of delivery. Crafco, Inc., shall not be liable for parts that have been damaged by accident, alteration, abuse, improper lubrication/maintenance, normal wear, or other cause beyond our control.

The warranty provided herein extends only to the repair and/or replacement of those components on the equipment covered above and does not cover labor costs. The warranty does not extend to incidental or consequential damages incurred as a result of any defect covered by this warranty.

All transportation and labor costs incurred by the purchaser in submitting or repairing covered components must be bore by the purchaser.

Crafco, Inc., specifically disavows any other representation, warranty or liability related to the condition or use of the product.

Warning - Use of replacement parts other than genuine Crafco parts may impair the safety or reliability of your equipment and nullifies any warranty.

CRAFCO, INC. WARRANTY CLAIM INSTRUCTIONS

Please follow the instructions stated below when calling in a Warranty Claim. Failure to follow these procedures may be cause to void the warranty.

- (1) Call your local CrafcO Distributor. If you do not know who your local distributor is, call a CrafcO Customer Service Representative, (Toll Free 1-800-528-8242) for name, location and telephone number.
- (2) On contacting the Distributor, be prepared to identify the machine type, model number and serial number, also the date of purchase if available.
- (3) Should the cause of the malfunction be a defective part, the Distributor will advise you of the procedure to follow for a replacement.
- (4) The warranty is valid only for parts which have been supplied or recommended by CrafcO, Inc.

If you have any additional questions regarding warranty repairs and parts, please do not hesitate to call toll free 1-800-528-8242.

CRAFCO, INC.
6975 W. CRAFCO WAY
CHANDLER, AZ 85226
(602) 276-0406
Toll Free 1-800-528-8242

SPECIFICATIONS

Vat Capacity	50 Gallons
Melt Capacity	40 Gallons/Hour
Heat Transfer Oil Required	18 Gallons at 70° F.
Tank Construction	Double Boiler Type
Tank Opening Size	12" x 15"
Maximum Heat Input	Vapor Burner 185,000 BTU;s
Burner & Temperature Control	Automatic - Fail Safe
Engine - Kohler Model M8 - Propane Fueled	Single Cylinder 8 BHP @ 3600 rpm
Drive Mechanism	All Hydraulic with infinite speed forward & reverse action
Mixer	Full sweep mixer with 2 horizontal paddles
Axle	Single - 2,250 lbs. Capacity
Tires (2)	20.5x8x10 - 4 ply rating (905) lbs. capacity each)
Dry Weight	Approximately 1,500 lbs.
Propane Bottles (2)	100 lbs.

E-Z POUR 50P MELTER OPERATING INSTRUCTIONS

INTRODUCTION

The CRAFCO E-Z Pour 50P Melter was developed to melt CRAFCO Brand Sealants. However, it will work equally well with all road asphalts and federal specification crack or joint sealants.

DO NOT operate machine without following these instructions:

1. Fill propane tank.
2. Check engine crankcase oil level (refer to Engine Operator's Manual).
3. Check hydraulic fluid level, at ambient temperature. Add fluid if necessary to bring to correct level.
4. Check heat transfer oil level. At 70° F., the oil should touch the dipstick. **DO NOT** overfill or spillage may occur when oil is heated & expands.
5. All valves should be in closed position and temperature control dial set at "OFF".
6. Applicator hose can be kept warm and ready for use by storing in heating chamber before using machine. Close heating door after hose and wand have been coiled inside.
7. Check temperature control calibration.

MACHINE START UP

TO START BURNER

1. Set Temperature Dial to "OFF".
2. Open LPG Cylinder Valve.
3. Open Line Valve at Cylinder.
4. Turn Temperature Dial to desired temperature setting.

CAUTION

If Burners do not ignite the first time, turn temperature dial to off. Turn temperature dial to desired setting. Burner should ignite. If burner still does not ignite, determine cause of malfunction (see Trouble Shooting Guide).

5. Start engine. To start Engine, press choke primer button for approximately 2 seconds Fig. 1 (3). Turn ignition key and engine should start.
6. Allow the heating oil to continue to heat. When sealant material reaches a liquid state, engage the agitator by moving the agitator lever either forward or backward. If agitator does not move, allow material to heat longer. Jamming of agitator shaft causes hydraulic oil to over heat and machine damage could occur.
7. When sealant reaches correct application temperature, open main tank valve, open recirculation valve Fig. 3(2) and close applicator valve (in heat chamber). Put sealant pump in reverse (Suction) mode. When pump turns freely, reverse sealant pump flow (Discharge) Fig. 3(3). This circulates sealant back into tank.
8. Check the sealant temperature at material pump. This indicates the temperature of sealant flowing through lines.
9. When application of sealant is desired, remove the hose from the rear of machine. Attach hose to hand applicator. Be sure to hand tighten only. Place applicator in rear tank opening, with the hand wand valve in the **ON** position.
10. Open applicator valve (in heat chamber).
11. Close the recirculation valve Fig. 3(2). **IMPORTANT:** Adjust the valve to get the desired amount of flow from the applicator wand given your applicator needs. You do not need to close the valve all the way for application. If material does not flow from wand, the hose may need to be warmed. Heat hose by placing in heating chamber to liquify sealant in hose, then repeat procedure.
12. Extreme care should be taken when changing or installing applicator tips. If the material is hot the material pump **must** be put in the "Suction" mode. This will insure against hot material pumped from wand. **Sealant material is hot and can cause skin burns.**
13. To apply sealant to joint remove hand applicator from rear tank opening. **Make sure** the hand wand valve is closed. When applicator wand is over joint, open hand valve and apply sealant.
14. To prevent hose from cooling, place the applicator wand in the rear tank opening when not to be used for 2 minutes or more. Always close hand wand prior to inserting wand in tank opening. Open hand valve to recirculate back into tank and keep hose warm.

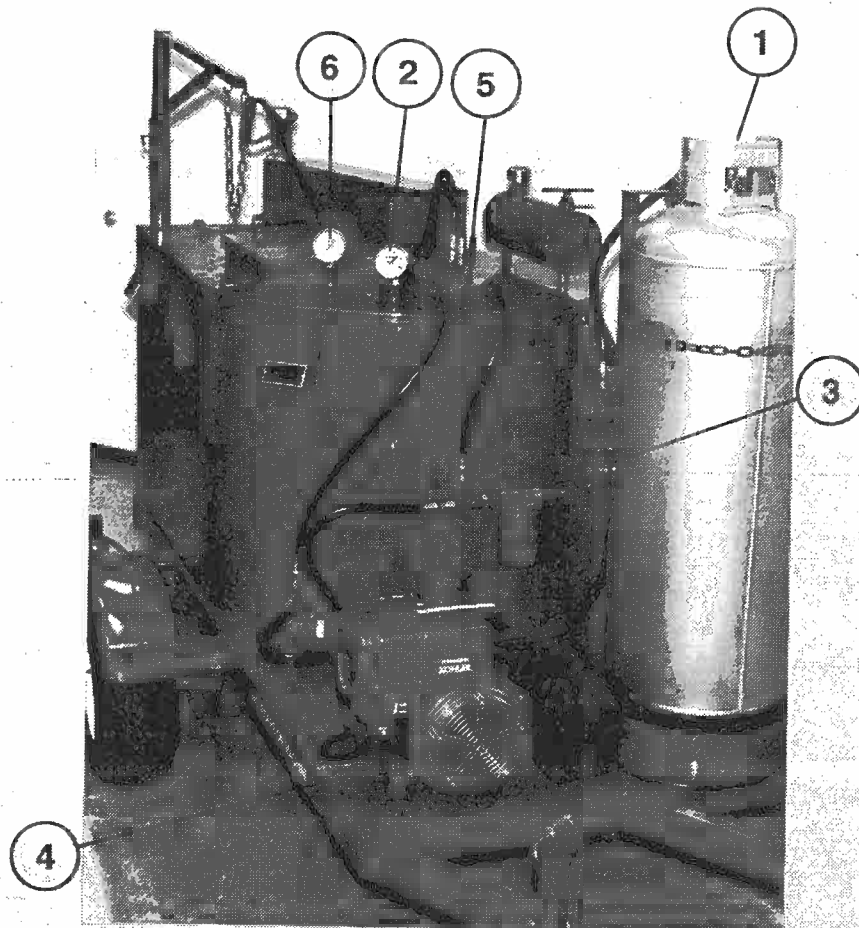


FIGURE 1

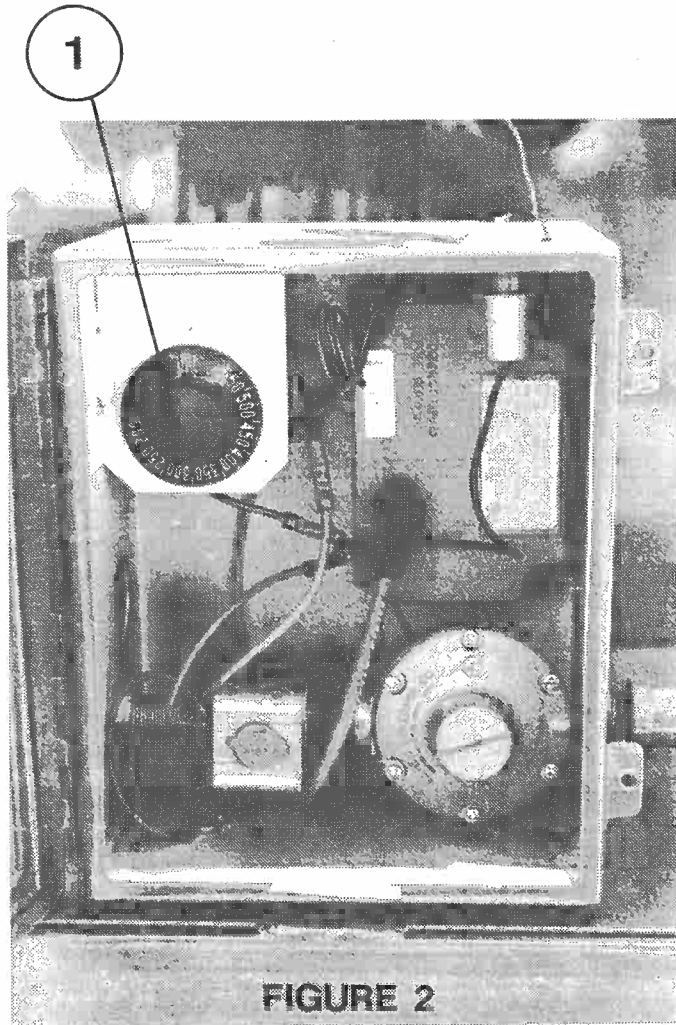


FIGURE 2

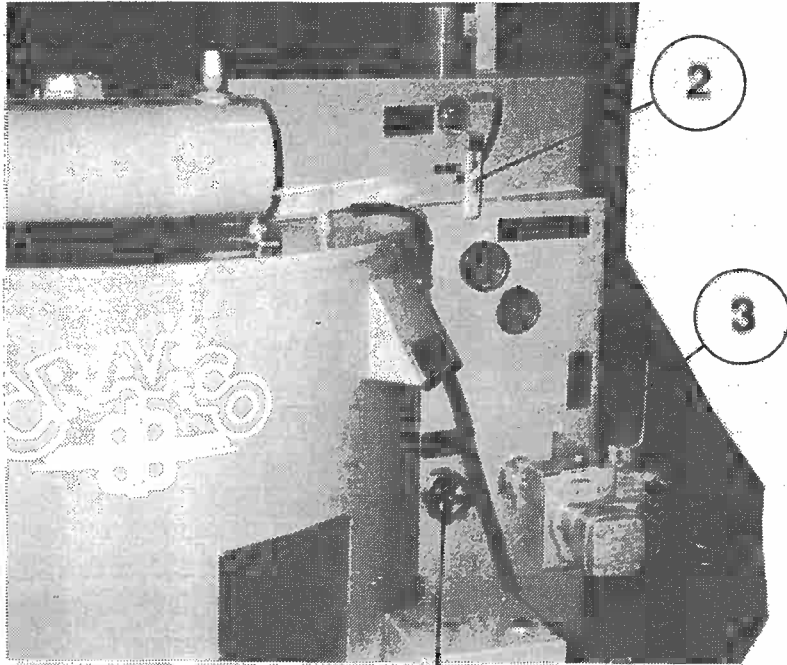


FIGURE 3

CHECKING TEMPERATURE CONTROL CALIBRATION

The temperature control system is calibrated at the factory during testing; however, it is a good practice to check calibration when machine is first put into operation. Also check calibration periodically (each 50 hours of operation is recommended). The gauge fig. 1(2), registers the actual temperature of the heat transfer fluid and should coincide with the temperature control dial Fig. 2(1).

To check calibration, the machine must be level & heat transfer oil at proper level. Start up burner per instructions on burner box. Set temperature dial at about 250° F. Leave burner on until 200° F. registers on the temperature gauge. Slowly turn the temperature dial down until a click is heard or the burner shuts off. If the temperature dial at this point reads differently than the temperature gauge, recalibration is required.

RECALIBRATING THE TEMPERATURE CONTROLS

To recalibrate, set the temperature dial at 200° F. When the burner shuts off, carefully pull the temperature dial off the spindle. Be careful not to move the spindle during this operation. With a jeweler's screwdriver (or the flattened end of a paper clip) turn the adjusting screw inside the spindle counter clockwise or more than 1/8 turn to start the burner, to increase the temperature (1/8 turn will raise the temperature 15-20° F.). Continue turning the screw each time the burner cuts off until the gauge reads 200° F. Carefully replace temperature dial. Both the dial and the temperature gauge should read approximately 200° F.

CAUTION:

Extreme care must be used when operating this equipment. Safety is the result of being careful and paying attention to details. Remember the propane flame is about 2200° F. Certain exposed parts of this machine, when operating, reach 500° F.; the sealant as high as 400° F. and the hydraulic fluid may reach 200° F. **Always** wear protective clothing and eye protection. Be sure that all joints and fittings are tight and leakproof. Immediately replace any hose which shows any signs of wear, fraying or splitting. Tighten all bolts on all flanges after 100 hours. Tighten all bolts, nuts and screws every 250 hours.

LOADING MACHINE

When loading solid material into the sealant tank, the mixer must be momentarily stopped, the lid lifted, the material placed on the lid and the lid closed again before the mixer is restarted. Following this procedure will prevent the hot material from splashing and causing serious burns to personnel.

The solid materials must be added at intervals which will allow the mixer to rotate without jamming. If blocks of material are fed in too quickly, jamming will result and slow down the melting process.

SHUTDOWN AND CLEAN-OUT PROCEDURE

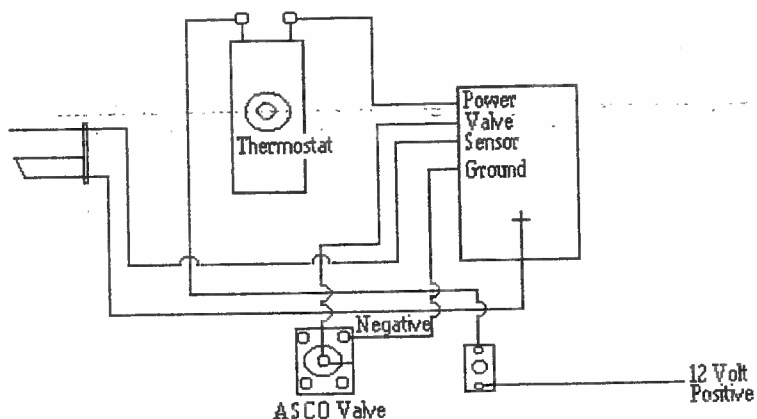
1. Turn temperature dial to off.
2. Return mixer to off position.
3. Close recirculation valve.
4. Put material pump in suction mode. With hand applicator valve open, disconnect wand and return hose to heat chamber. Leave pump in suction mode for approximately 3 min. Close main tank valve.
5. Return pump to off position.
6. Turn off engine.
7. Return wand to heat chamber.
8. Close applicator valve/open recirculation valve.
9. Close LPG Line Ball Valves. Close LPG Cylinder Valves.

STORING MACHINE

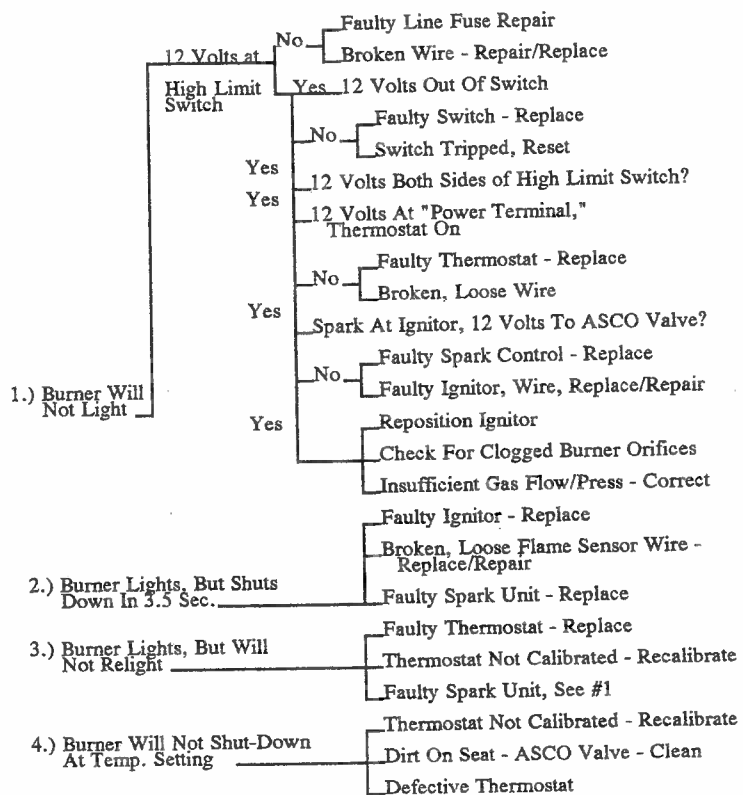
The E-Z Pour 50 should be stored in an area where moisture cannot enter machine. Extended down time can cause moisture build up in heating oil tank.

If there is any suspicion that moisture may have collected in heat transfer oil, warm heat transfer fluid to 300° F. for 2 to 3 hours to evaporate the moisture.

BURNER CONTROL WIRING DIAGRAM



BURNER TROUBLE SHOOTING GUIDE



TROUBLE SHOOTING CHART

PROBLEM	CAUSE	REMEDY
Mixer will not rotate.	Sealant temperature too low.	Continue to heat material.
	Too many blocks placed at one time.	Continue to heat material & try reversing mixer.
	Inadequate hydraulic flow/pressure.	Check hydraulic fluid level. Reset pressure/ check flow if necessary.
Material pump will not turn.	Material in tank not to operating temperature.	Continue heating material.
	Inadequate hydraulic, flow/pressure.	Check hydraulic fluid level. Reset pressure/check flow as necessary.
	Material pump damaged or foreign object lodged in pump.	Replace/Remove.
Sealant will not recirculate back into tank through recirculation valve.	Material in tank not to correct temperature.	Continue heating material.
	Drain valve closed.	Open valve.
	Material still cold in suction line. Recirculation valve closed.	Make sure compartment temperature is adequate to melt material. Open valve.
Sealant material flows through recirculation valve but will not flow through application hand wand.	Application valve not open.	Open valve.
	Recirculation valve still open or damaged internally.	Close valve or replace.
	Hose/wand still cold.	Leave in chamber until hot.
When applying sealant it stops flowing from applicator wand.	Hand applicator valve was left in off position too long.	Heat hose by placing in heat chamber to liquify sealant.
	Too many blocks of material added to tank. Cold material entered pump & stopped flow.	Heat hose by placing in heating chamber to liquify sealant.
	Tank fluid level too low for material to flow into pump.	Continue heating material until more liquid material is available.
Pump rotates, but will not pump material.	Material pump worn or damaged.	Replace/Repair.
	Pump rotating in wrong direction.	Reverse control lever.
	Foreign object lodged in inlet line to pump.	Dislodge by reversing pump or disassemble inlet line.
	Material cold, inlet still solid.	Continue to heat material.
Slow heat up of sealant.	Block of sealant over drain.	Dislodge by reversing mixer and pump.
	Build up of coked or crystallized material on inside of material tank.	Allow machine to cool. Remove deposits and flush with solvent.
	Burner not operating/low LPG pressure.	Repair/Adjust.
	Low heating oil level.	Make sure fluid level is correct.
	Low Heating oil temperature.	Set at recommended temperature.

SERVICE INSTRUCTIONS

1. Conduct a general inspection of your machine at least once a week. Replace all worn or damaged parts, make any necessary adjustments and tighten all loose nuts or screws.
2. Keep regular replacement items in stock for emergency repairs, to avoid costly "down" time. Refer to general maintenance items, page 18.
3. Watch for leaks - tighten packing on pumps as necessary.
4. Clean machine externally periodically. Check with sealant manufacturer for recommendation.
5. Follow recommended maintenance procedures on maintenance chart.

MAINTENANCE INSTRUCTIONS

ENGINE:

Check oil every 8 hours of operation. Change after the first 5 hours of operation and change every 25 hours thereafter.

See engine owners manual for additional operating and maintenance instructions.

HYDRAULIC SYSTEM:

Check hydraulic fluid every 8 hours. Change hydraulic filter after first 10 hours of operating and every 250 hours thereafter. Change hydraulic fluid every 500 hours of operation.

WHEEL BEARINGS:

Repack wheel bearings every 24,000 miles or every two years, using a good grade of bearing grease.

TONGUE JACK:

Lubricate tongue jack, using a good grade of bearing grease.

SEALANT PUMP:

Adjust pump packing periodically. A slight drippage (several drops per minute) should be allowed.

MAINTENANCE CHART

LOCATION	PROCEDURE	HOURS			
		8	50	100	500
Engine Check Oil Level	See Engine Instruction Manual.	*			
Other Engine Maintenance	See Engine Operating & Maintenance Instructions.				
Battery	Check Water Level Weekly.				
Pump Packing	Tighten as required. Drip should be several drop per minute.		*		
Heat Transfer Oil	Check (every 8 hours)		*		
	Change	After 500 hours or 1 year			
Hydraulic Oil Return line filter	First change. (10 hours)	*			
	Subsequent changes. (250 hours)			*	
Hydraulic Oil	Check Oil (every 8 hours)	*			
	Change Oil (every 500 hours)				*
	For proper oil, see recommended fluids & lubricants, page 17.				
Wheel Bearings	Clean & repack using good grade of bearing grease.	Every 24,000 miles or every two years.			
Tongue Jack	Grease, using good grade of bearing grease.	Once a Year.			

RECOMMENDED FLUIDS & LUBRICANTS

APPLICATION	RECOMMENDED	FULL POINT
Engine Oil	Refer to Kohler Owners Manual.	2 Qts.
LPG	Propane	100 lbs.
Hydraulic Oil	RONDO Oil-HD-68 Texaco	10 gal.
Heat Transfer Oil		18 gal.

The following is a list of suitable Heat Transfer Oils to be used in CrafcO equipment.

<u>Producer</u>	<u>Product Name</u>	<u>Product No.</u>
Texaco	Regal	R&O 68
Gulf	Harmony	68
Shell	Thermia	"C"
Exxon	Teresstic	68
Phillips	Magnus	68
Chevron USA	Heat Transfer Oil #1	
Conoco	Dectol R&O	68
Union Oil	Turbine Oil	68

WARNING

The Heat Transfer Oil in this machine is a grade that has been tested and recommended by CRAFCO, Inc. The addition of any grade of oil not specifically recommended by CRAFCO, Inc. shall be cause for the voidance of all warranties.

All oils subjected to high temperatures deteriorate with time and lose many of their characteristics. Tests conducted by CRAFCO, Inc. have determined that for best results and safety, the Heat Transfer Oil in this machine must be drained and replaced with Crafcoc, Inc. recommended oil after five hundred (500) hours of operation or one (1) year, whichever occurs first.

GENERAL MAINTENANCE ITEMS

RECOMMENDED QUANTITY	DESCRIPTION	PART NO.
1 Set	Packing, Sealant Pump	29993
1	Head Gasket Set - Sealant Pump	29994
1	Sealant Hose 15'	27084
1	Hydraulic Filter	22071

INSTRUCTIONS FOR ORDERING PARTS

Parts may be ordered from your local CRAFCO distributor or directly from CRAFCO, Inc. if a distributor is not available in your area. When ordering parts, give the following information:

1. Part Number
2. Machine Model
3. Serial Number from Name Plate

Write or telephone:

CRAFCO, Inc.
6975 West Crafcoc Way
Chandler, AZ 85226
Phone: (602)276-0406
Toll Free: 1-800-528-8242

PARTS LIST

ITEM NO.	DESCRIPTION	QTY.	PART NO.
1.	Tire and Wheel	2	40111
2.	Axle Assembly with Springs	1	40100
3.	Shackle Tie Plate	4	23075
4.	Shackle Bolt	6	23100
5.	Shackle Nut	6	23105
6.	Fender Assembly	2	40120
7.	Fender Washer 5/16	8	28681
8.	5/16 - 18 x 1 Bolt	8	28716
9.	5/16 Flat Washer	8	28671
10.	5/16 - 18 Locknut	8	28525
11.	Tail Light - Right Side	1	24022
12.	Tail Light - Left Side	1	24023
13.	¼" Flat Washer	4	28670
14.	¼ Lockwasher	4	28645
15.	¼ - 20 Hex Nut	4	28500
16.	Swivel Tongue Jack	1	40105
17.	Jack Mounting Bracket	1	40106
18.	½ - 13 x 1 ¼ Bolt	2	28761
19.	8 HP Propane Engine	1	41386
20.	ISO Mount	4	41636
21.	3/8 - 16 x 1 ½ Bolt	4	28984
22.	3/8 Flat Washer	12	28641
23.	3/8 - 16 Locknut	8	28526
24.	Hydraulic Pump Adaptor	1	41224
25.	5/8" Jaw Coupling	1	41167
26.	1" Jaw Coupling	1	41168
27.	Coupling Spider	1	41169
28.	¼ Shaft Key	1	37032
29.	Hydraulic Pump	1	41094
30.	7/16 x 1 ¼ Bolt	2	28747
31.	7/16 Lockwasher	2	28648
32.	Hydraulic Reservoir	1	41520
33.	3/8 - 16 x 1 Bolt	4	28731
34.	Air Breather	2	26025
35.	Dipstick Assembly	1	41162
36.	Hydraulic Filter	1	22070
37.	LPG Storage Tank	1	25118
38.	Knob	1	26032
39.	12" Temperature Gage	2	40078
40.	½ x ¼ Bushing	1	28344
41.	½ Pipe Coupling	2	28178
42.	½ x 2 ½ Pipe Nipple	1	28033
43.	Flow Divider Valve	1	41573
44.	Control Valve - Mixer	1	40083
45.	5/16 - 18 x 2 ½ Bolt	3	28721
46.	5/16 Lockwasher	3	28646

→ 44570

47.	Overflow Tank	1	40070
48.	Dipstick	1	40075
49.	Mounting Plate	1	40029
50.	Pipe Spacer	4	40030
51.	3/8 - 16 x 2 Bolt	4	28735
52.	3/8 Lockwasher	8	28647
53.	Hydraulic Motor	1	22027
54.	3/8 - 16 x 1 1/2 Bolt	4	28732
55.	Agitator Shaft	1	40050
56.	Spacer	2	32093
57.	Vertical Paddle	2	40060
58.	3/8 - 16 x 1 1/2 Bolt	6	28984
59.	3/8 Flat Washer	12	28672
60.	3/8 - 16 Locknut	6	28526
61.	Burner Assembly with Ignitor	1	40349
62.	Ignitor	1	25277
63.	#25 Orifice	1	40092
64.	3/8 Close Nipple	1	28002
65.	3/8 Pipe Coupling	1	28177
66.	Stuffing Box	1	25203
67.	Upper Pipe Assembly	1	40814
68.	Flange Nipple	1	22030
69.	2" Flange Gasket	3	29050
70.	3/8 - 16 x 1 Bolt	18	28731
71.	3/8 - 16 Stover Nut	18	28538
72.	Recirculation Valve	1	41246
73.	Elbow Recirculation Line	1	41679
74.	Flange Tee	1	40811
75.	Flange Assembly	1	40808
76.	Material Pump	1	40864
77.	Pump Mounting Bracket	1	40865
78.	5/16 - 18 x 1 Bolt	4	28716
79.	5/16 - 18 Locknut	4	28525
80.	1 1/2 KClose Nipple	1	28007
81.	2 x 1 1/2 Bushing	1	28360
82.	2" Gate Valve	2	29270
83.	2 x 90° St. Elbow	1	28243
84.	2 x 1 Bushing	1	28358
85.	3/8 Close Nipple	1	28002
86.	3/8 Ball Valve	1	29202
87.	3/8 x 90° St. Elbow	1	28237
88.	3/8 Pipe Plug	1	28282
89.	2" x 4" Pipe Nipple	1	28046
90.	Material Pump Hydraulic Motor	1	40863
91.	1/2 - 13 x 1 Bolt	2	28760
92.	1/2 Lockwasher	2	28649
93.	1/2 - 13 Hex Nut	2	28504
94.	16T Sprocket 3/4" Bore	1	40085
95.	16T Sprocket 1" Bore	1	26002
96.	3/16 Key	1	40084
97.	Dual Chain	1	26016

98.	Connecting Link	1	26030
99.	Chain Guard	1	40852
100.	5/16 - 18 x 1 Bolt	2	28716
101.	5/16 - 18 Locknut	2	28525
102.	Material Pump Control Valve	1	41092
103.	¼ - 20 x 1 ¼ Bolt	3	28703
104.	¼ - 20 Locknut	3	28524
105.	Control Box Assembly	1	40346
106.	Thermostat	1	25276
107.	#6 x 3/8 Screw	2	28832
108.	Temperature Indicator Dial	1	25220
109.	Spark Control Module	1	25278
110.	#8 - 32 x 1 Bolt	4	28833
111.	#8 - 32 Nut	4	28835
112.	Indicator Light	1	24140
113.	Bulkhead Coupling	1	29830
114.	Elbow Adaptor	1	29857
115.	¼ x 1 ½ Pipe Nipple	1	28012
116.	Burner Servo Valve	1	25236
117.	Fisher Regulator	1	25087
118.	Adaptor Fitting	1	29829
119.	½ Pipe Tee	1	28253
120.	½ Close Nipple	1	28003
121.	½ Pipe Plug	1	28283
122.	In Line Fuse	1	32529
123.	Temperature Gage 2 ½	1	25050
124.	Clamp, Control Box	2	25268
125.	Male Female Swivel	2	27048
126.	Sealant Hose Assembly	2	27084
127.	Handle Assembly with Valve	1	41208
128.	¾ x 8" Pipe Nipple	1	28100
129.	Handle Assembly	1	27080
130.	1" Ball Valve	1	29240
131.	Hand Wand Assembly	1	41629
132.	Sealing Tip Assembly	1	27171
133.	Temperature Gage 6"	1	25051
	PARTS NOT ILLUSTRATED		
	Battery Cable	1	37038
	Positive Battery Cable	1	37039
	Hour Meter	1	24076
	Temperature Gage	1	25050
	Wiring Harness Control Box	1	25272
	Wiring Harness Ignitor	1	41641

40855

HYDRAULIC PIPING - E-Z POUR 50 MELTER

1. HYDRAULIC RESERVOIR TO HYDRAULIC PUMP (SUCTION)		
1	29813	Elbow Adaptor
1	22110	Hose Assembly 5/8 x 27"
1	29821	Straight Adaptor

2. HYDRAULIC PUMP TO FLOW DIVIDER VALVE ("IN" PORT) PRESSURE		
1	29812	Straight Adaptor
1	29566	Hose Assembly 1/2 x 19"
1	29813	Elbow Adaptor

3. FLOW DIVIDER VALVE ("PB" PORT) TO MATERIAL VALVE ("IN" PORT)		
1	28348	Bushing 3/4 x 1/2
1	29815	Tube Swivel
1	29805	St. Bulkhead Union
1	29807	Locknut
1	40828	Tube Assembly (Frame)
1	29806	90° Bulkhead Union
1	29807	Locknut
1	29809	Tube Reducer
1	29810	Tube Nut
1	40187	Hose Assembly 3/8 x 18"
1	29872	Elbow Adaptor
1	28347	Bushing 3/4 x 3/8

4. MATERIAL VALVE ("OUT" PORT) TO HYDRAULIC FILTER ("IN" PORT) RETURN		
1	28347	Bushing 3/4 x 3/8
1	29872	Elbow Adaptor
1	40187	Hose Assembly 3/8 x 18"
1	29809	Tube Reducer
1	29810	Tube Nut
1	29806	90° Bulkhead Union
1	29807	Locknut
1	40828	Tube Assembly (Frame)
1	29805	St. Bulkhead Union
1	29807	Locknut
1	22110	Hose Assembly 1/2 x 27"
1	29811	Swivel Nut Run Tee
1	40314	Straight Adaptor
1	28351	Bushing 1 x 3/4

5. HYDRAULIC FILTER ("OUT" PORT) TO HYDRAULIC RESERVOIR (RETURN)		
1	28005	1" Close Nipple

6. FLOW DIVIDER VALVE ("REG" PORT) TO MIXER VALVE ("IN" PORT)		
1	28348	Bushing 3/4 x 1/2
1	29841	Straight Adaptor
1	40013	Hose Assembly 3/8 x 36"
1	29872	Elbow Adaptor

7. MIXER VALVE ("OUT" PORT) TO TEE IN LINE 4. (RETURN)		
1	29872	Elbow Adaptor
1	40012	Hose Assembly 3/8 x 24"
1	29809	Tube Reducer
1	29810	Tube Nut

8. MIXER VALVE (REAR PORT) TO HYDRAULIC MOTOR FOR MIXER (L.H. PORT)		
1	29834	Straight Adaptor
1	40012	Hose Assembly 3/8 x 24"
1	22029	Straight Adaptor

9. MIXER VALVE (FRONT PORT) TO HYDRAULIC MOTOR FOR MIXER (R.H. PORT)		
1	29834	Straight Adaptor
1	40012	Hose Assembly 3/8 x 24"
1	22029	Straight Adaptor

10. MATERIAL VALVE (TOP PORT) TO HYDRAULIC MOTOR FOR MATERIAL PUMP (BOTTOM PORT)		
1	29876	Elbow Adaptor
1	40187	Hose Assembly 3/8 x 18"
1	29828	Elbow Adaptor

11. MATERIAL VALVE (BOTTOM PORT) TO HYDRAULIC MOTOR FOR MATERIAL PUMP (TOP PORT)		
1	29876	Elbow Adaptor
1	40187	Hose Assembly 3/8 x 18"
1	29828	Elbow Adaptor

LPG PIPING SEQUENCE E-Z POUR 50 MELTER

1. LPG TANK TO REGULATOR		
1	40840	LPG Regulator - Consists of: 25123 Tank Spud 29195 ¼ Ball Valve 29839 Straight Adaptor
1	25146	Propane Hose 3/8 x 23"
1	29839	Straight Adaptor
1	28251	¼" Pipe Tee
1	28001	¼" Close Nipple
1	25087	Regulator (On Tank & Frame)

2. REGULATOR TO GOVERNOR		
1	28001	¼" Close Nipple
1	28251	¼" Pipe Tee
1	28012	¼ x 1½ Pipe Nipple
1	25086	Zero Governor (On Tank & Frame)

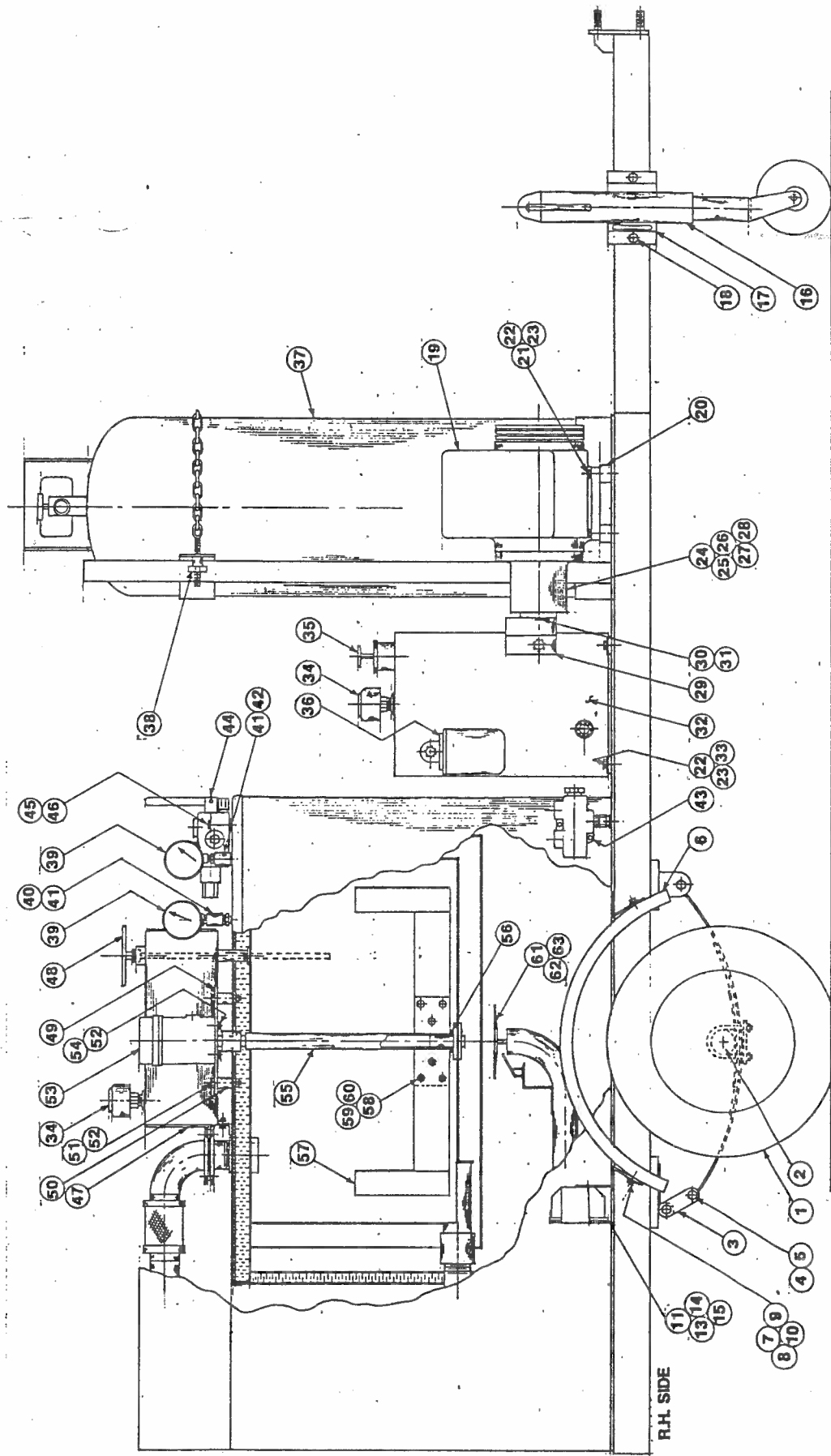
3. GOVERNOR TO PROPANE ENGINE		
1	29875	Elbow Adaptor
1	29585	LPG Fuel Line 3/8 x 50"
2	26079	Gear Clamp
1	29875	Elbow Adaptor

4. TEE IN LINE 1. TO CONTROL BOX		
1	29839	Straight Adaptor
1	25132	Propane Hose 3/8 x 34"
1	29832	Straight Adaptor
1	40827	Gas Line Assembly (On Frame)
1	29832	Straight Adaptor
1	25137	Propane Hose 3/8 x 12"
1	29857	45° Elbow Adaptor (In Control Box)

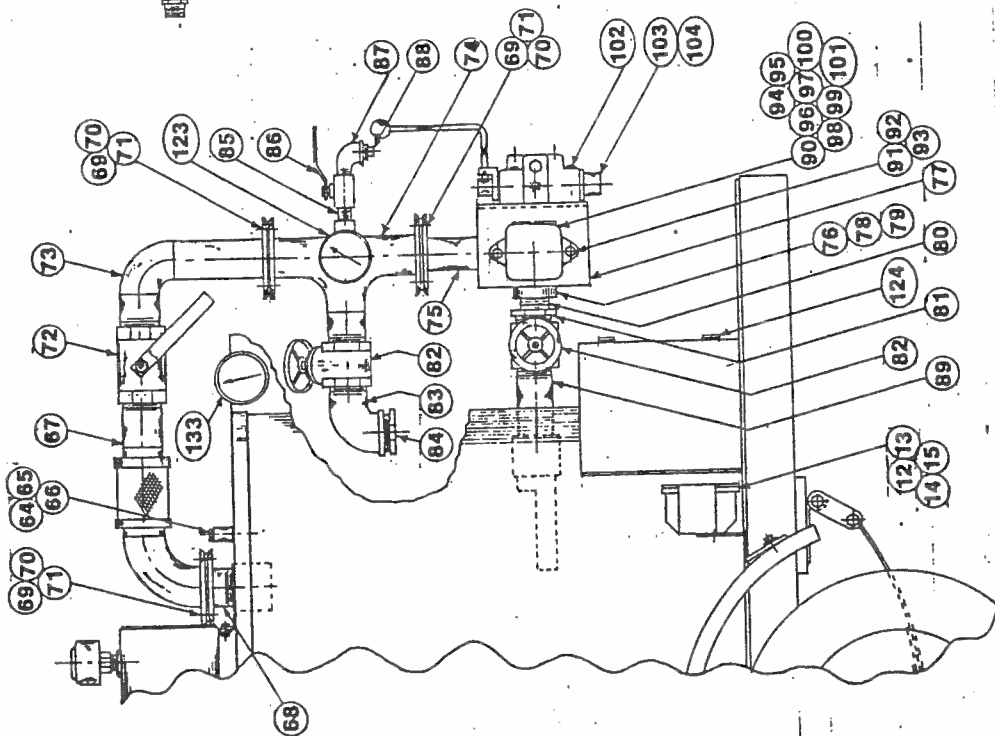
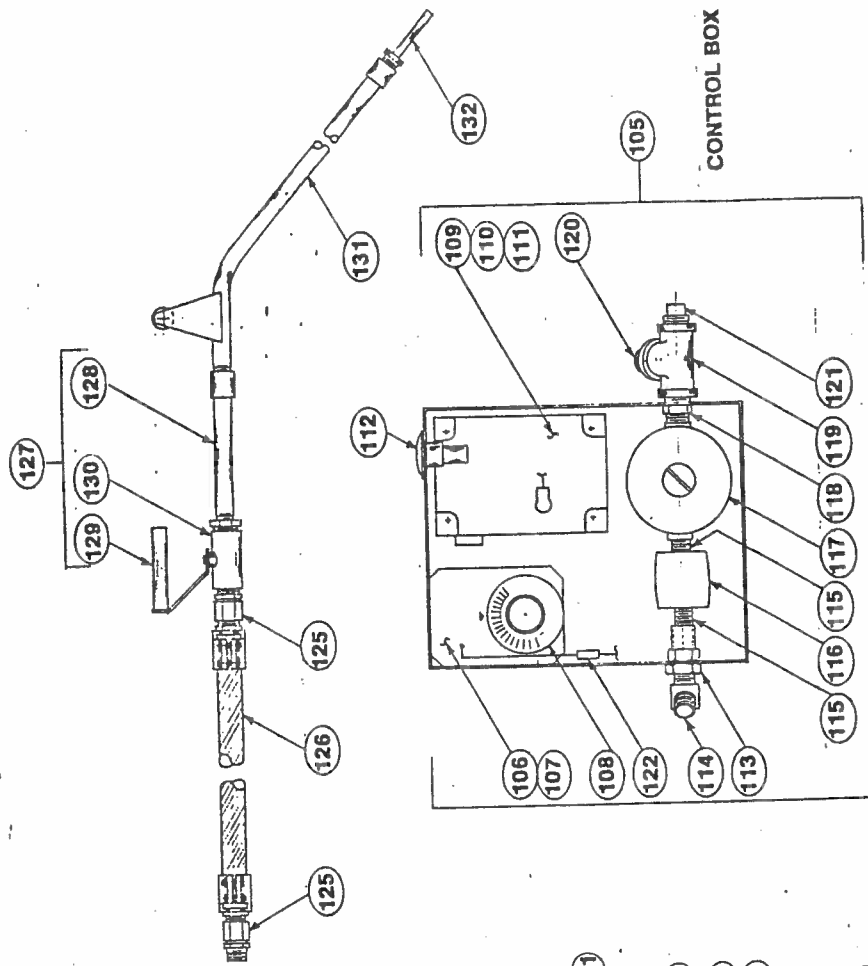
5. CONTROL BOX TO PROPANE BURNER		
1	29829	Adaptor Fitting (In Control Box)
1	28253	½" Pipe Tee (On Control Box)
1	28003	½" Close Nipple (On Control Box)
1	40345	Flex Gas Line ½ x 18" (On Burner)

6. TEE IN LINE 2.		
1	28281	¼" Pipe Plug

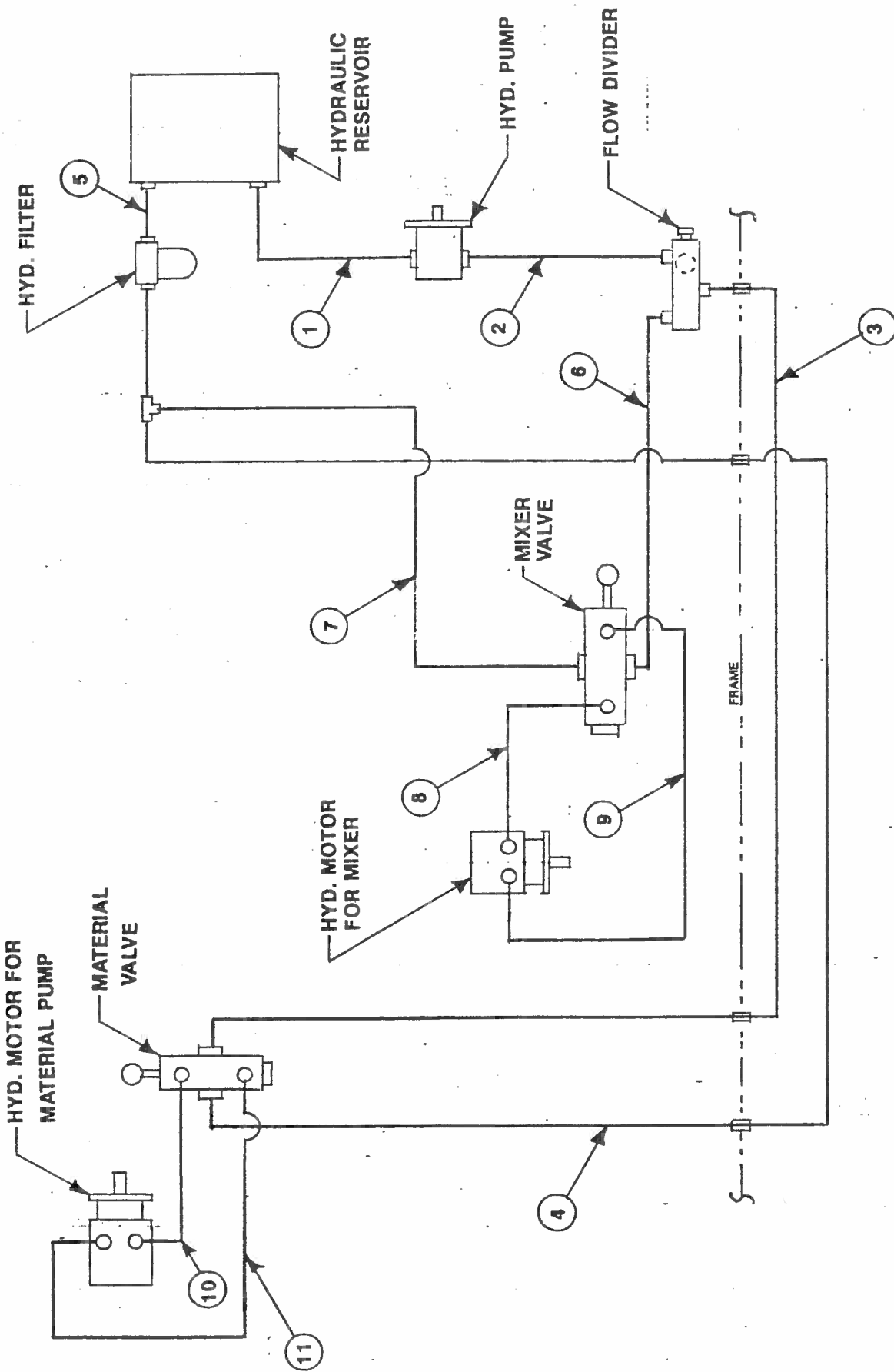
7. TEE IN LINE 5.		
1	28283	½" Pipe Plug (On Control Box)



E-Z POUR 50 MELTER
WITH PUMP/APPLICATOR

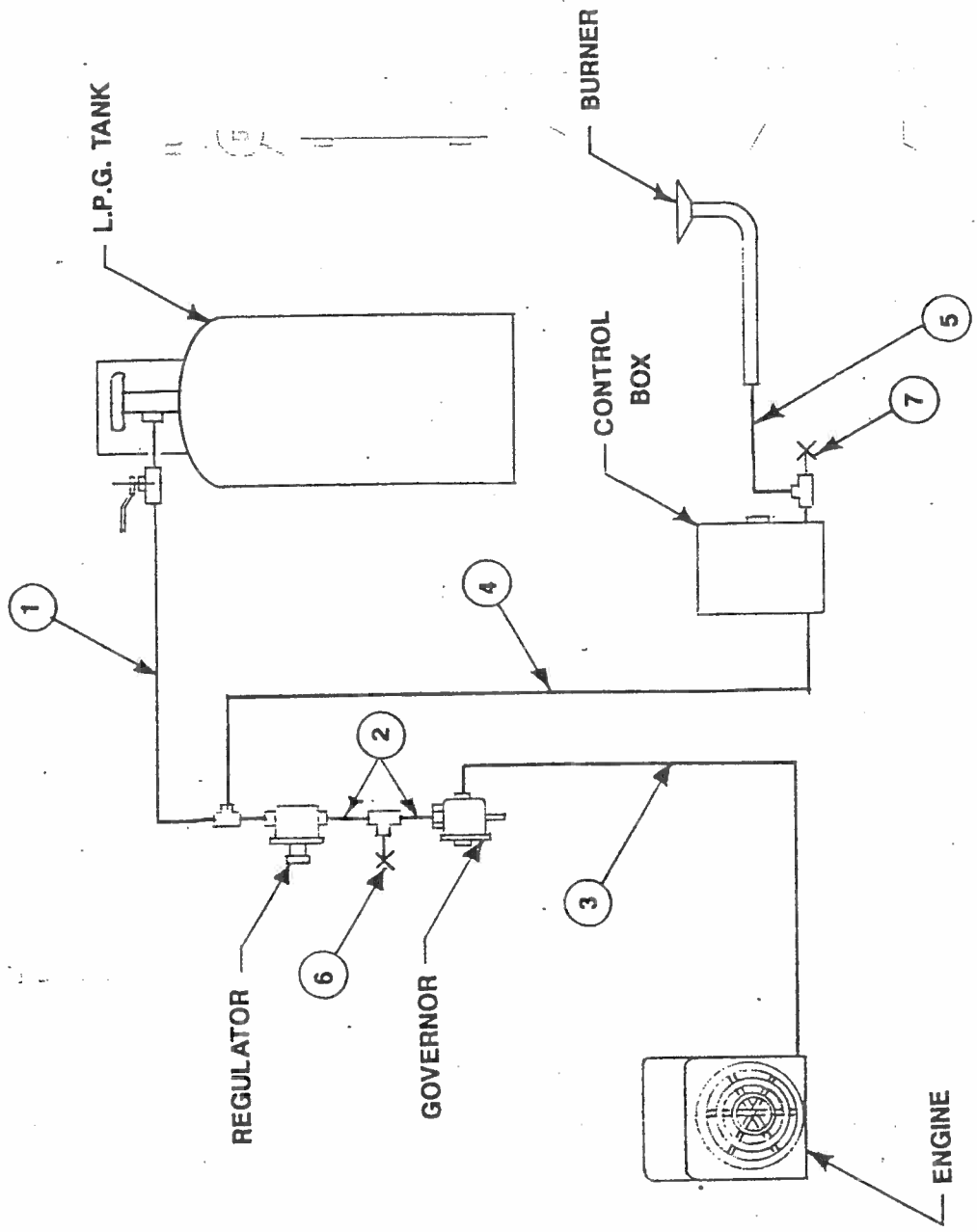


L.H. SIDE



HYDRAULIC PIPING DIAGRAM

E-Z Pour 50 Melter
WITH PUMP/APPLICATOR



L.P.G. PIPING DIAGRAM

E-Z Pour 50 Melter
WITH PUMP/APPLICATOR

**Pioneering Leadership and
Innovation in Quality
Pavement Maintenance
Materials.**

CRAFCO INC.

6975 W. Crafcow Way • Chandler, Arizona 85226
(602) 276-0406 • Watts 1 (800) 528-8242
FAX (602) 961-0513

©Copyright 1988 by Crafcow Inc.