



**E-Z POUR 100 DIESEL MELTER
WITH PUMP/APPLICATOR**

PART MANUAL -

E-Z POUR 100 DIESEL MELTER

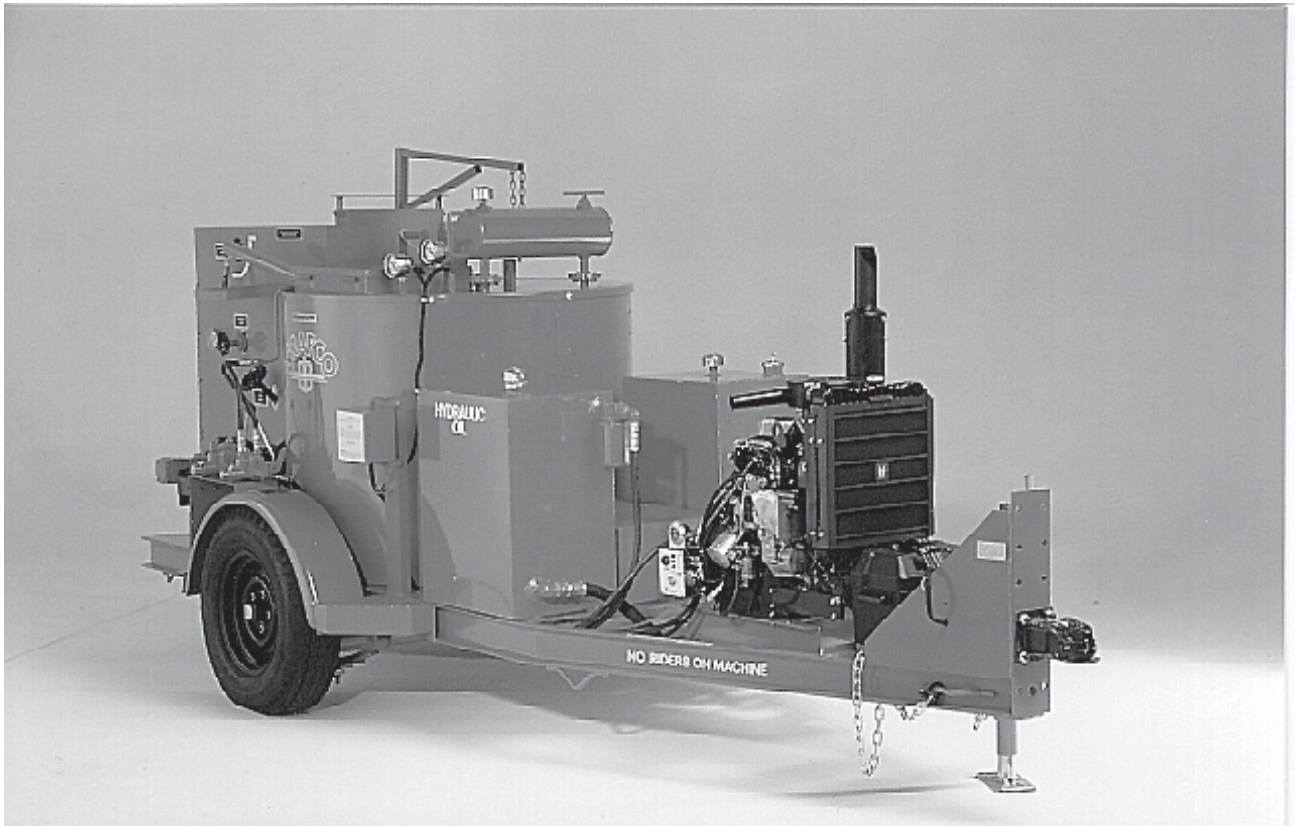


TABLE OF CONTENTS

EZ Pour 100 Diesel Melter with Pump Applicator - Perkins Engine.....	5
Safety Precautions.....	6-7
Limited Warranty.....	7
Warranty Claim Instructions.....	8
Specifications.....	9
Introduction.....	10
Operating Instructions	
Recirculation Valve - Figure A, Hydraulic Control Valve Figure B.....	11
Machine Start Up.....	12
Checking Temperature Control Calibration and Recalibrating.....	13
Loading Machine.....	13
Shutdown & Clean-Out Procedure/Storing Machine.....	14
Instruction for Ordering Parts.....	14
Maintenance	
Maintenance Instructions.....	15
Maintenance Chart.....	16-17
General Maintenance Items/Service Instructions.....	18
Recommended Fluids and Lubricants.....	19
Diesel Burner Electrode Adjustments/Diesel Burner Settings.....	20
Trouble Shooting	
Trouble Shooting Guide.....	21
Burner Trouble Shooting Guide.....	22
Pump Section Packing Instructions.....	23
Detaching Machine from Vehicle and Setting Up Power Wheel.....	24
Raising Power Wheel and Reattaching Machine to Vehicle.....	24
Diagrams and Parts	
E-Z 100 Diesel Melter-42300PB Diagram and Parts.....	25-27
EZ-100 Diesel Melter-42300PB1 Diagram and Parts.....	28-29
Material Hose and Wand Assy/Mixer Shaft and Paddle Assy-42300PB2 Diagram and Parts.....	30-31
Diesel Burner Diagram and Parts.....	32-33
Hydraulic Piping Diagram/EZ-100 Diesel Melter with Pump/Applicator-26440PB.....	34
Hydraulic Piping - 100 Gal. Diesel Melter Parts.....	35-36
Burner Wiring Schematic with Flame Shutdown.....	37

E-Z POUR 100 DIESEL MELTER

WITH PUMP/APPLICATOR

This manual is furnished with each new **CRAFCO E-Z POUR 100 DIESEL MELTER**. The manual will help your machine operators learn to run the sealer properly and understand its mechanical functions for trouble-free operation.

Your **CRAFCO E-Z POUR 100 DIESEL MELTER** is designed to give excellent service and save maintenance expense. However, as with all specifically engineered equipment, you can get best results at minimum costs if:

- (1) You operate your machine as instructed in this manual, and
- (2) Maintain your machine regularly as stated in this manual.

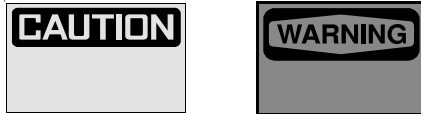
SAFETY PRECAUTIONS

- High operating temperatures of sealant and machine require protective clothing and gloves be worn by operator.



- Always wear eye protection.

- Observe all **CAUTION AND WARNING** signs posted on machine.



- Avoid the entrance of water into any part of the machine. Water will displace heat transfer oil or sealant, which could be hazardous to personnel surrounding the machine when it reaches operating temperatures.

- Avoid bodily contact with hot sealant material or heat transfer oil, serious burns may result.

- Read Operator Manual thoroughly before operating machine.

- Make sure operator is familiar with machine operation.

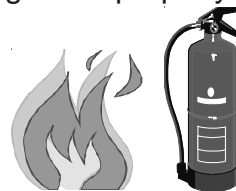
- Do not operate in closed building or confined areas.

- Shut-down burner and engine prior to refilling diesel tank.

- When adding solid material to sealant tank, stop mixer, lift lid, place material onto lid and close lid before restarting mixer. Hot material could splash and cause serious burns if this procedure is not followed.

- Keep hands, feet, and clothing away from all moving parts.

- Always keep a fire extinguisher near the unit. Maintain extinguisher properly and be familiar with its use.



- **DO NOT** exceed 525° F. for heat transfer oil temperature.

- **DO NOT** overfill heat transfer oil level. Expansion of oil during heat up could cause overflow. With machine in level position, check oil each day before starting burner, add oil to top mark on dipstick if required (at 70° F.). **Use only recommended heat transfer oil and change after 500 hours of operation or one year, whichever occurs first.**

- Follow operating instructions for starting and shut-down of burner. Instructions are mounted on control box.

- Calibrate temperature control prior to initial operation and each 50 hours of operation.

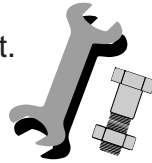
SAFETY PRECAUTIONS

- Replace any hoses which show signs of wear, fraying, or splitting. Be sure all fittings and joints are tight and leak-proof.

- Precaution is the best insurance against accidents.

- The E-Z Pour 100 Diesel Melter should not be left unattended with burner lit.

- Tighten all bolts and screws after every 100 hours of operation.



- CRAFCO, Inc. assumes no liability for an accident or injury incurred through improper use of the machine.

E-Z POUR 100 DIESEL MELTER LIMITED WARRANTY

Crafco, Inc., through its authorized distributor, will replace for the original purchaser free of charge any parts found upon examination by the factory at Mesa, Arizona, to be defective in material or workmanship. This warranty is for a period within 60 days of purchase date, but excludes engine or components, tires, and battery as these items are subject to warranties issued by their manufacturers.

After 60 days, Crafco, Inc., warrants structural parts, excluding heating system, hydraulic components, material pump and hoses, hot oil pump, applicator valves, and electrical components for a period of (1) one year from date of delivery. Crafco, Inc., shall not be liable for parts that have been damaged by accident, alteration, abuse, improper lubrication/maintenance, normal wear, or other cause beyond our control.

The warranty provided herein extends only to the repair and/or replacement of those components on the equipment covered above and does not cover **labor** costs. The warranty does not extend to incidental or consequential damages incurred as a result of any defect covered by this warranty.

All transportation and labor costs incurred by the purchaser in submitting or repairing covered components must be borne by the purchaser.

Crafco, Inc. specifically disavows any other representation, warranty, or liability related to the condition or use of the product.



WARNING: Use of replacement parts other than genuine Crafco parts may impair the safety or reliability of your equipment and nullifies any warranty.

WARRANTY CLAIM INSTRUCTIONS

Please follow the instructions stated below when calling in a Warranty Claim. Failure to follow these procedures may be cause to void the warranty.

1. Call your local CrafcO Distributor. If you do not know who your local distributor is, call a CrafcO Customer Service Representative, (Toll Free 1-800-528-8242) for name, location, and telephone number.
2. On contacting the distributor, be prepared to identify the machine type, model number, and serial number, also, the date of purchase if available.
3. Should the cause of the malfunction be a defective part, the distributor will advise you of the procedure to follow for a replacement.
4. The warranty is valid only for parts, which have been supplied or recommended by CrafcO, Inc.

If you have any additional questions regarding warranty repairs and parts, please do not hesitate to call toll free 1-800-528-8242.

CRAFCO, INC.
235 SOUTH HIBBERT DRIVE
MESA, AZ 85210
480-655-8333
Toll Free 1-800-528-8242

SPECIFICATIONS

Vat Capacity.....	100 Gallons
Melt Capacity.....	80 Gallons/Hour
Heat Transfer Oil Required.....	27 Gallons at 70° F
Tank Construction.....	Double Boiler Type
Tank Opening Size.....	14" X 18"
Maximum Heat Input.....	Diesel, Forced Air 250,000 BTU
Burner and Temperature Control.....	Thermostatic Control
Engine - ISUZU.....	Twin Cylinder 17 HP @ 3600 rpm
Drive Mechanism.....	All Hydraulic with infinite speed forward & reverse action
Mixer.....	Full sweep mixer with 2 horizontal paddles
Axle.....	Single - 3,500 lbs.capacity
Tires (2).....	185R-14-8 ply rating (1850 lbs. capacity each)
Dry Weight.....	Approximately 2,600 lbs.
Diesel Tank Capacity.....	24 Gallons

E-Z POUR 100 DIESEL MELTER OPERATING INSTRUCTIONS

INTRODUCTION

The CRAFCO E-Z Pour 100 Diesel Melter was developed to melt CRAFCO Brand Sealants. However, it will work equally well with all road asphalt and federal specification crack or joint sealants.

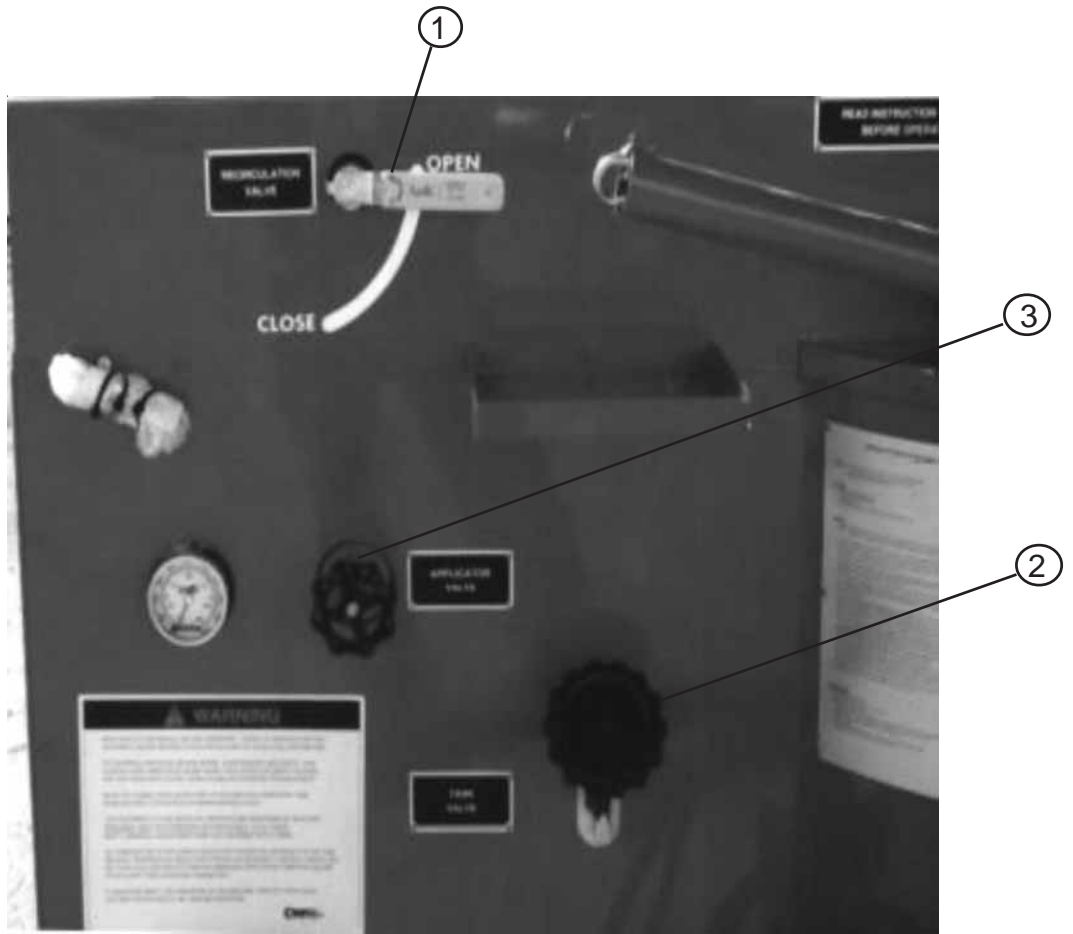
DO NOT operate machine without reading operator's manual and being thoroughly familiar with controls:

1. Fill engine fuel tank with diesel fuel (use #1 in cold weather, #2 in warm weather).
2. Check engine crankcase oil (refer to Engine Operator Manual).
3. Check hydraulic fluid level, at ambient temperature. Add fluid if necessary to bring fluid to correct level.
4. Check heat transfer oil level. Check level at ambient temperature, machine level. At 70° F, oil should be at the top mark. **DO NOT** overfill, or spillage may occur when machine reaches operating temperature.
5. All valves should be in closed position and temperature control box set at "**OFF**".
6. Applicator hose can be kept warm and ready for use by storing in heating chamber before using machine. Close heating doors after hose and wand have been coiled in chamber.
7. Check temperature control calibration.

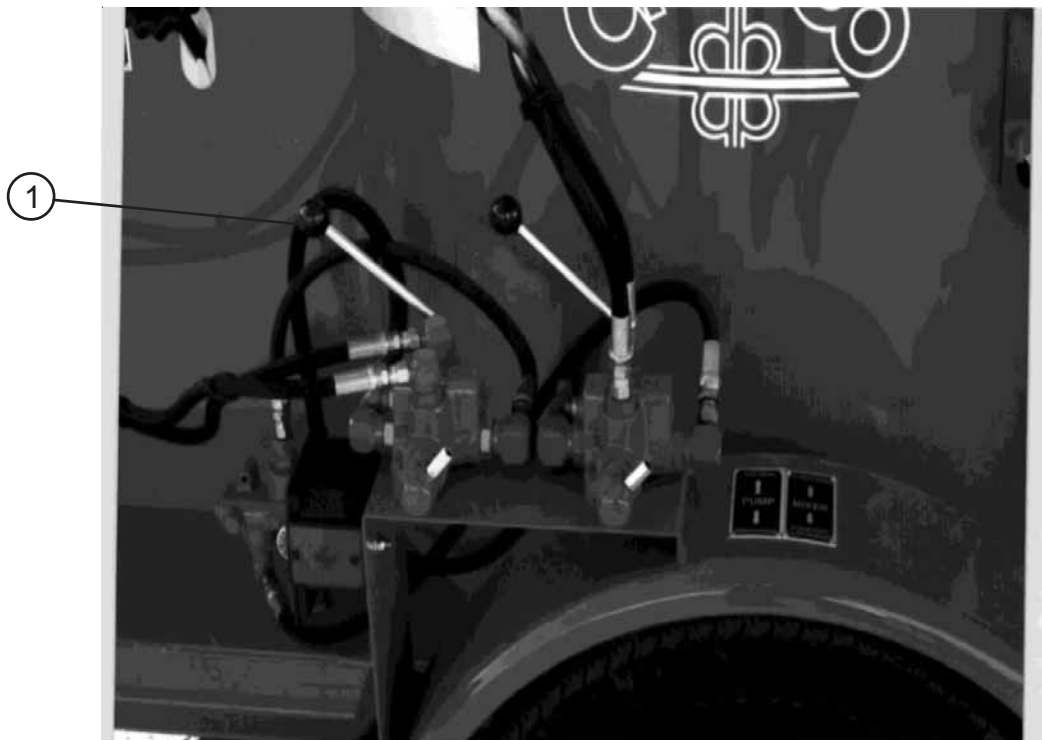


CAUTION:

Extreme care must be used when operating this equipment. Safety is the result of being careful and paying attention to details. Remember the diesel flame is about 2,200° F. Certain exposed parts of this machine, when operating reach 500° F; the sealant as high as 400° F and the hydraulic fluid may reach 200° F. Always wear protective clothing, hard sole shoes, and eye protection. Be sure that all joints and fittings are tight and leak proof. Immediately replace any hose, which shows any signs of wear, fraying, or splitting. Tighten all bolts, nuts, and screws every 250 hours.



RECIRCULATION VALVE - FIGURE A



HYDRAULIC CONTROL VALVE - FIGURE B

MACHINE START UP

TO START BURNER

1. Fully open the damper vent.
2. Set temperature dial to “**OFF**”.
3. Start engine.
4. Turn temperature dial to desired temperature setting.



CAUTION:

If burner does not ignite the first time, turn temperature dial to off. Turn temperature dial to desired setting. Burner should ignite. If burner still does not ignite, determine cause of malfunction (see Trouble Shooting Guide).

5. Allow the heating oil to continue to heat. When sealant material reaches a liquid state, engage the agitator by moving the agitator level either forward or backward. If agitator does not move, allow material to heat longer. Jamming of mixer shaft causes hydraulic oil to over heat and machine damage could occur.
6. When sealant reaches correct application temperature, open main tank valve, open recirculation valve and close applicator valve. Put sealant pump in reverse (Suction) mode. When pump turns freely, reverse sealant pump flow. This circulates sealant back into tank.
7. Check the sealant temperature at material pump. This indicates the temperature of sealant flowing through lines.
8. When application of sealant is desired, remove the hose from the rear of machine. Attach hose to hand applicator. Be sure to hand tighten only. Place applicator in rear tank operating, with the hand wand valve in the **ON** position.
9. Open applicator valve.
10. Close the recirculation valve. **IMPORTANT:** Adjust the valve to get the desired amount of flow from the applicator wand given your applicator needs. You do not need to close the valve all the way for application. If material does not flow from wand, the hose may need to be warmed. Heat hose by placing in heating chamber to liquify sealant in hose, then repeat procedure.
11. Extreme care should be taken when changing or installing applicator tips. If the material is hot the material pump **must** be put in the “**SUCTION**” mode. This will insure against hot material pumped from wand. **Sealant material is hot and can cause skin burns.**
12. To apply sealant to joint, remove hand applicator from rear tank opening. **Make sure** the hand wand valve is closed. When applicator wand is over joint, open hand valve and apply sealant.
13. To prevent hose from cooling, place the applicator wand in the rear tank opening when not to be used for 2 minutes or more. Always close hand wand prior to inserting wand in tank opening. Open hand valve to recirculate back into tank and keep hose warm.

CHECKING TEMPERATURE CONTROL CALIBRATION

The temperature control system is calibrated at the factory during testing; however, it is good practice to check the calibration when the machine is first put into operation and periodically. (Each 50 hours of operation is recommended.) The gauge registers the actual temperature of the heat transfer oil and it should coincide with the temperature control hand knob setting 2.

To check the calibration, first the machine must be level and the following procedure must be followed - check heat transfer oil level (at 70° F.) must be high enough to submerge the temperature gauge probe. Start up the burner. Set temperature control hand knob at about 250° F. Leave burner on until 200° F. registers on the temperature gauge. Slowly turn the temperature control hand knob down until a click is heard and/or the burner shuts off. If the temperature control hand knob, at this point, reads differently than the temperature gauge, recalibration is required.

RECALIBRATING THE TEMPERATURE CONTROLS

To recalibrate the temperature control, set the temperature control knob to 200° F. When the burner shuts off, carefully pull the hand knob off the spindle. Be careful not to move the spindle during this operation. With a jeweler's screwdriver (or the flattened end of a paper clip) turn the adjusting screw inside the spindle **counterclockwise** no more than 1/8 turn to start the burner, to increase the temperature (1/8 turn will raise the temperature 15° F. to 20° F.), continue turning the screw each time the burner cuts out until the gauge reads 200° F. Carefully replace hand knob. Both the hand knob and the temperature gauge should now read approximately 200° F.



CAUTION:

Extreme care must be used when operating this equipment. Safety is the result of being careful and paying attention to details. Remember the diesel flame is about 2200° F. Certain exposed parts of this machine, when operating, reach 500° F.; the sealant as high as 400° F. and the hydraulic oil may reach 200° F. Always wear protective clothing and eye protection. Be sure that all joints and fittings are tight and leakproof. Immediately replace any hose which shows any signs of wear, fraying or splitting. Tighten all bolts on all flanges after 100 hours. Tighten ALL bolts, nuts and screws every 250 hours.

LOADING THE MACHINE

When loading solid material into the sealant tank, the mixer must be momentarily stopped, the lid lifted, the material placed on the lid and the lid closed again before the mixer is restarted. Following this procedure will prevent the hot material from splashing and causing serious burns to personnel.

The solid material must be added at intervals, which will allow the mixer to rotate without jamming. If blocks of material are fed in too quickly, jamming will result and slow down the melting process.

SHUTDOWN AND CLEAN-OUT PROCEDURE

1. Turn the temperature dial to “**OFF**”.
2. Move mixer control valve to “**OFF**” position.
3. Close recirculation valve.
4. Put material pump in suction mode. With hand applicator valve open, disconnect wand and return hose to heat chamber. Close applicator valve. Open recirculation valve. Close main tank valve.
5. Return material pump control valve to “**OFF**” position.
6. Turn off engine.
7. Return wand to heat chamber.

STORING MACHINE

The E-Z Pour 100 should be stored in an area to prevent moisture from entering machine. Extended down time can cause moisture build up in heating oil tank.

Follow procedure below if there is any suspicion that moisture is present: Warm heat transfer oil to 300°F. for 2 to 3 hours to evaporate any moisture.

INSTRUCTION FOR ORDERING PARTS

Parts may be ordered from your local CRAFCO distributor or directly from CRAFCO, Inc. if a distributor is not available in your area. When ordering parts, give the following information:

1. Part Number
2. Machine Model
3. Serial Number from Name Plate

Write or telephone:

CRAFCO, INC.
235 SOUTH HIBBERT
MESA, AZ 85210
480-655-8333
Toll Free: 1-800-528-8242

MAINTENANCE INSTRUCTIONS

ENGINE:

- Check engine oil daily. Change after the first 50 hours of operation and change every 100 hours thereafter.
- Change oil filter initially at 50 hours, every 150 hours thereafter.
- See engine owners manual for additional operating and maintenance instructions.



HYDRAULIC SYSTEM:

Check hydraulic fluid daily. Change hydraulic filter after first 10 hours of operating and every 250 hours thereafter. Change hydraulic fluid every 500 hours of operation.

WHEEL BEARINGS:

Repack wheel bearings every 24,000 miles or every two years, using a good grade of bearing grease.

TONGUE JACK:

Lubricate tongue jack, using a good grade of bearing grease.

SEALANT PUMP:

Lubricate outboard bearings using a good grade of bearing grease. Adjust pump packing periodically. A slight drippage (several drops per minute) should be allowed. Refer to Pump Section for details. See page 23.

MAINTENANCE CHART

LOCATION	PROCEDURE	HOURS					
		8	50	100	400	500	600
Engine check oil level. Check coolant level. Check alt. drive belt. Check engine for leaks or damage - correct if necessary	See Perkins Intruction Manual	*					
Other Engine Maintenance	See Perkins Instruction Manual						
Drain water from fuel filter				*			
Change fuel filter (200 hrs.) Check alt. belt for wear					*		
Change alt. belt							*
Clean air cleaner element (earlier check may be necessary).				*			
Replace air cleaner element.					*		
Change coolant							*
See Perkins Operating Instructions for additional engine service.							
Battery	Check water level weekly.						
Pump Packing	Tighten as required. Drip should be several drops per minute.		*				
Pump outboard bearing	Lubricate using a good grade of bearing grease.		*				

MAINTENANCE CHART

LOCATION	PROCEDURE	HOURS					
		8	50	100	400	500	600
Heat transfer oil	Check (every 8 hours).		*				
	Change	After 500 hours or one year					
Hydraulic oil return line filter.	First change-250hours						
	Additional change-250hours or if indicator excessive back pressure.						
Hydraulic oil	Check oil (every 8 hours).	*					
	Change oil (every 500 hours).				*		
	For proper oil, see Recommended Fluids & Lubricants, page 19.						
Burner	Check burner box insulation.					*	
	Clean cad cell.					*	
	Check electrodes.					*	
	Check blower brushes.					*	
	Check nozzle pressure.					*	
Wheel bearings	Clean & repack using good grade of bearing grease.	Every 24,000 miles or every two years.					
Tongue jack	Grease using good grade of bearing grease.	Once a year.					

GENERAL MAINTENANCE ITEMS

RECOMMENDED QUANTITY	DESCRIPTION	PART NO.
1 Set	Packing, Sealant Pump	29990
1	Sealant Hose 15"	27084
1	Engine Oil Filter	43082
1	Engine Fuel Filter	43080
1	Hydraulic Filter	44805
1	Air Filter	43081

SERVICE INSTRUCTIONS

1. Conduct a general inspection of your machine at least once a week. Replace all worn or damaged parts, make any necessary adjustments and tighten all loose nuts or screws.



2. Keep regular replacement items in stock for emergency repairs, to avoid costly "down" time. Refer to General Maintenance Items.
3. Watch for leaks - tighten packing on pumps as necessary.
4. Clean machine externally periodically. Check with sealant manufacturer for recommendation.
5. Follow recommended maintenance procedures on maintenance chart.

RECOMMENDED FLUIDS & LUBRICANTS

APPLICATION	RECOMMENDED	FULL POINT
Engine Oil	Refer to Perkins Owners Manual.	3 Qts.
Diesel	#1 Cold Climate #2 Warm Climate	26 Gal.
Hydraulic Oil	RONDO OIL-HD-68 Texaco	23 Gal.
Heat Transfer Oil	Regal R&O-68 Texaco	27 Gal.

The following is a list of suitable Heat Transfer Oils to be used in CrafcO equipment.

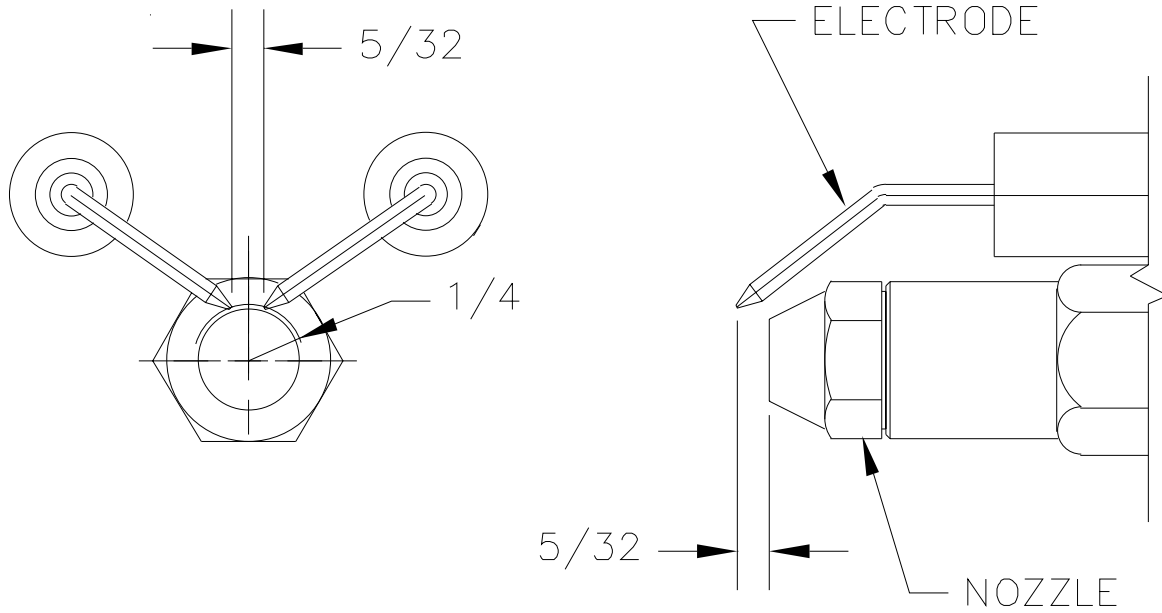
PRODUCER	PRODUCT NAME	PRODUCT NO.
Texaco	Regal	R&O 68
Gulf	Harmony	68
Shell	Thermia	"C"
Exxon	Teresstic	68
Phillips	Magnus	68
Chevron USA	Heat Transfer Oil #1	
Conoco	Dectol R&O	68
Union Oil	Turbine Oil	68



WARNING:

The Heat Transfer Oil in this machine is a grade that has been tested and recommended by CRAFCO, Inc. The addition of any grade of oil not specifically recommended by CRAFCO, Inc. shall be cause for the warranty to be void. All oils subjected to high temperatures deteriorate with time and lose many of their characteristics. Test conducted by CRAFCO, Inc. have determined that for best results and safety, the Heat Transfer Oil in this machine must be drained and replaced with CrafcO, Inc. recommended oil after five hundred (500) hours of operation or one (1) year, whichever occurs first.

DIESEL BURNER ELECTRODE ADJUSTMENTS



DIESEL BURNER SETTINGS

Air Shutter = 7
Air Band = 0
Fuel Pressure = 140 PSI
Adjustment Plate = 3

TROUBLE SHOOTING GUIDE

PROBLEM	CAUSE	REMEDY
Mixer will not rotate.	Sealant temperature too low.	Continue to heat material.
	Too many blocks placed at one time.	Continue to heat material & try reversing mixer.
	Inadequate hydraulic flow/pressure.	Check hydraulic fluid level. Reset pressure/check flow if necessary.
Material pump will not turn.	Material in tank not to operating temperature.	Continue heating material.
	Inadequate hydraulic, flow/pressure.	Check hydraulic fluid level. Reset pressure/check flow as necessary.
	Material pump damaged or foreign object lodged in pump.	Replace/Remove.
Sealant will not recirculate back into tank through recirculation valve.	Material in tank not to correct temperature.	Continue heating material.
	Drain valve closed.	Open valve.
	Material still cold in suction line. Recirculation valve closed.	Make sure compartment temperature is adequate to melt material. Open valve.
Sealant material flows through recirculation valve but will not flow through application hand wand.	Application valve not open.	Open valve.
	Recirculation valve still open or damaged internally.	Close valve or replace.
	Hose/wand still cold.	Leave in chamber until hot.
When applying sealant it stops flowing from applicator wand.	Hand applicator valve was left in off position too long.	Heat hose by placing in heat chamber to liquify sealant.
	Too many blocks of material added to tank. Cold material entered pump & stopped flow.	Heat hose by placing in heating chamber to liquify sealant.
	Tank fluid level too low for material to flow into pump.	Continue heating material until more liquid material is available.
Pump rotates, but will not pump material.	Material pump worn or damaged.	Replace/Repair.
	Pump rotating in wrong direction.	Reverse control lever.
	Foreign object lodged in inlet line to pump.	Dislodge by reversing pump or disassemble inlet line.
	Material cold, inlet still solid.	Continue to heat material.
	Block of sealant over drain.	Dislodge by reversing mixer and pump.
Slow heat up of sealant.	Build up of coked or crystallized material on inside of material tank.	Allow machine to cool. Remove deposits and flush with solvent.
	Burner not operating.	See Burner Trouble Shooting Guide page 22.
	Low heating oil level.	Make sure fluid level is correct.
	Low heating oil temperature.	Set at recommended temperature.

BURNER TROUBLE SHOOTING GUIDE

SEE BURNER MANUAL FOR ADJUSTMENTS AND INSTRUCTIONS		
PROBLEM	CAUSE	SOLUTION
Blower motor will not turn at correct speed or Burner will not ignite.	High limit switch.	Check or replace.
	Wires at temperature control box loose or broken.	Check connections or tighten, replace if necessary.
	Battery low, alternator belt loose, alternator failure.	Recharge battery, tighten belt, check/replace alternator if necessary.
	Loose/Broken Battery Cable.	Tighten/Replace.
	Engine not running.	Charge battery by starting engine.
	Thermostatic control faulty.	Replace.
Burner will not shut down at set temperature.	Thermostatic control faulty or needs recalibration.	Recalibrate or replace if necessary.
Make sure engine is running so battery is fully charged.		
Burner Blower runs but burner will not light.	Clogged fuel nozzle.	Clean or replace.
	No fuel in tank, valve at tank shut off, clogged filter or jellied fuel.	Add fuel if necessary open valve, use fuel for anticipated weather.
	Ignitor wires loose, dirty ignitors, faulty transformer.	Check for loose wiring, clean and adjust ignitors, replace transformer if faulty.
	Faulty fuel solenoid, loose wire.	Replace solenoid if necessary tighten all connections.
	Fuel pump at burner needs bleeding.	Open bleeder until fuel runs clear, tighten.
Excess Smoke in Heat Compartment.	Air vent incorrectly set.	Set at 5.
	Blower Motor not running at correct speed.	Charge battery by starting engine.

PUMP SECTION PACKING INSTRUCTIONS

Operate the pump under normal conditions and, after a short run-in period, examine packing for leakage. If leakage is excessive tighten locknuts evenly until there is only slight leakage from the packing rings. This slight leakage is a necessary and normal condition for packing and allows for expansion and proper seating.



NOTE:


WHERE LIQUID IS BEING HANDLED, THAT IS HAZARDOUS OR VOLATILE, FULL PRECAUTIONS SHOULD BE TAKEN DURING THE RUN-UP PERIOD.

To replace packing remove key, two nuts and clips, packing gland and packing rings. (Packing hooks are commercially available to assist in removing the packing rings). Clean the shaft and adjacent parts. Examine the shaft, if it is excessively worn or scored, replacement of pump may be necessary.

Insert packing rings, making sure the joints are staggered 180 degrees. Use split ring bushings to seat each ring before adding the next ring. The rings must not be taped or seated in place too tightly. When the packing box is sufficiently full to allow entry of the packing gland (about 1/4") reassemble the packing gland, clips and nuts. Draw up evenly on the packing gland to assure proper seating of the packing, and then loosen nuts about 1/2 turn. Do not cock the packing gland. (This could cause binding or heating of the shaft).

DETACHING MACHINE FROM VEHICLE AND SETTING UP POWER WHEEL

1. Lower jack and unhitch melter from towing vehicle.
2. Remove hitch receiver from hitch plate.
3. Remove quick release pin from both ends of restraining brace.

 **CAUTION:** Use your legs and not your back or get help to lower the power wheel assembly.


4. After lowering power wheel unit use jack stand to adjust alignment of restraining brace release pin. Make sure all safety pins are installed.
5. After brace is installed, retract jack stand. Pivot jack stand.
6. Plug in control cord.
7. Make sure the Emergency Stop is pulled OUT at all times, even if the machine is parked. It will run the battery down. It should only be used if an emergency stop is needed.



8. Use flow divider at hydraulic pump to control the speed of the power wheel. (maximum setting on flow divider knob should be #3.)
9. Toggle switches on control box control the forward/reverse and left/right direction.

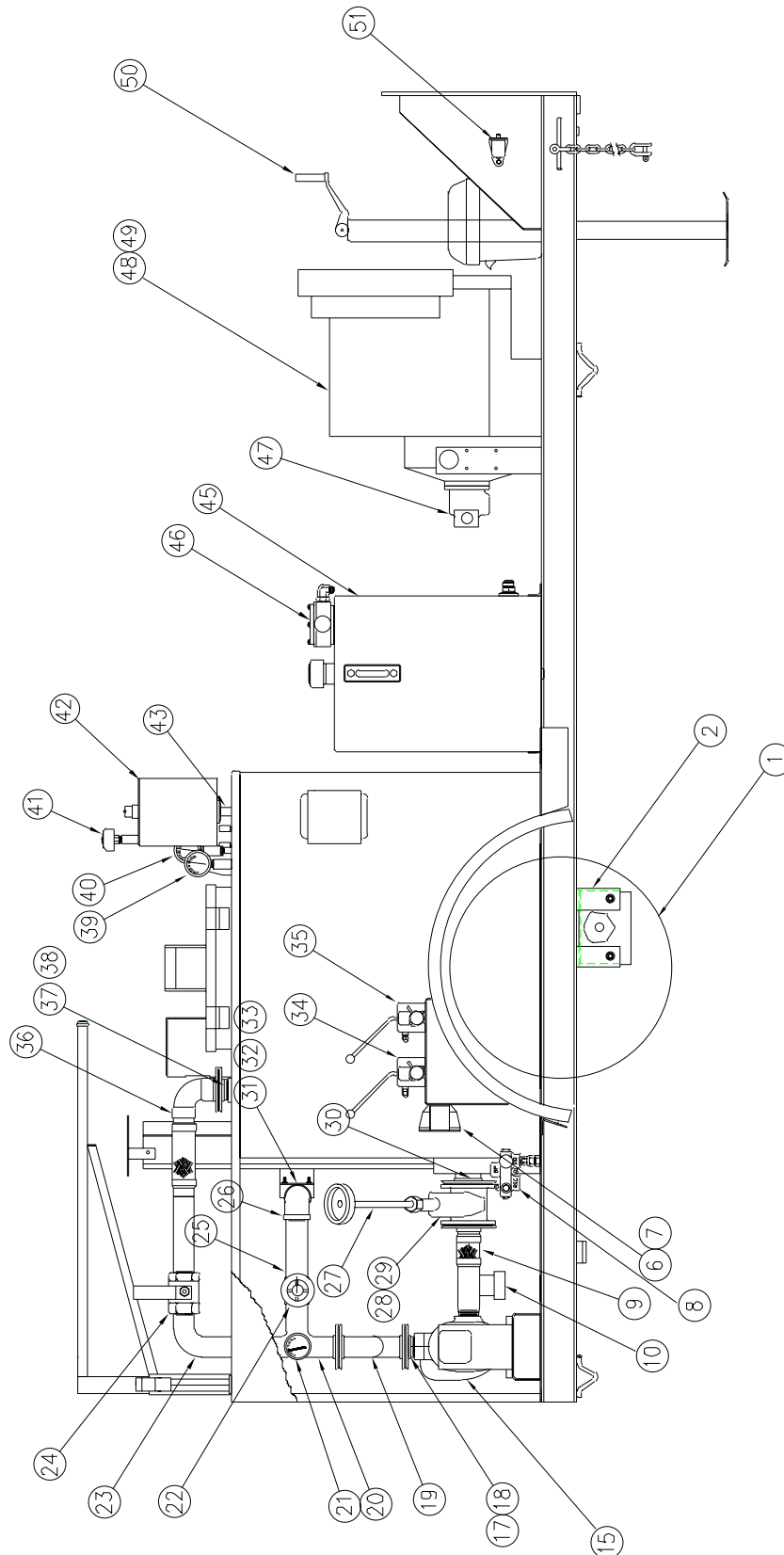
RAISING POWER WHEEL AND REATTACHING MACHINE TO VEHICLE

1. Unplug power cord.
2. Lower jack stand and raise machine to remove weight from power wheel unit. Remove quick pins from both ends of restraining brace.
3. Raise power wheel and install restraining brace on back side of power wheel arm. Reinstall all quick release pins.

 **CAUTION:** Power wheel arm is heavy. Use your legs and not your back or get help in raising unit.

4. Install hitch receiver and lock with lock pin.
5. Attach machine to vehicle. Lower jack/pivot or remove.

E-Z 100 DIESEL MELTER - 42300PB



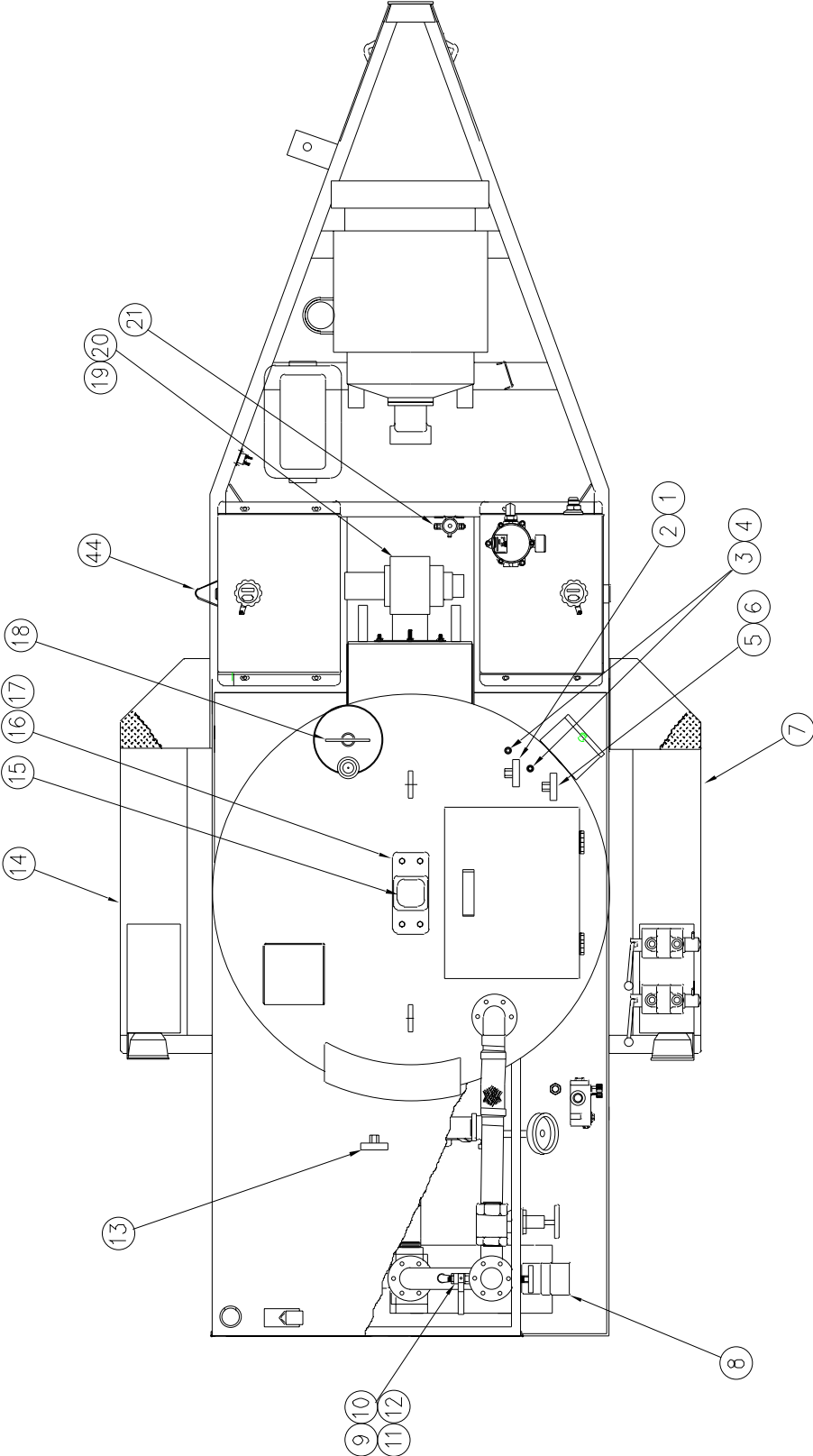
PARTS LIST FOR E-Z 100 DIESEL MELTER-

NUMBER	PART NUMBER	QTY	DESCRIPTION
1	41743	2	TIRE AND WHEEL ASSEMBLY
2	41560	1	AXLE ASSEMBLY WITH SPRINGS
3	23100	6	SHACKLE BOLT
4	23105	6	SHACKLE NUT
5	23075	4	SHACKLE TIE PLATE
6	24022	1	TAIL LIGHT - R.H.
7	24023	1	TAIL LIGHT - L. H.
8	41573	1	FLOW DIVIDER
9	41657	1	LOWER SUCTION TEE
10	28273	1	2" PIPE CAP
11	26016	1	DUAL SPROCKET CHAIN
12	26030	1	CONNECTING LINK
13	27017	1	KEY - SEALANT PUMP
14	41140	1	CHAIN GUARD
15	27029	1	2" SEALANT PUMP
16	26002	2	CHAIN SPROCKET
17	29050	4	FLANGE GASKET - 6 HOLE
18	22030	2	FLANGE NIPPLE ASSEMBLY
19	42351	1	DOUBLE ELBOW ASSEMBLY
20	42344	1	FLANGE TEE
21	25050	1	2-1/2" TEMPERATURE GAGE
22	29270	1	2" GATE VALVE
23	41679	1	ELBOW - RECIRC. LINE
24	41246	1	RECIRCULATION VALVE
25	28110	1	2" X 8" PIPE NIPPLE

PARTS LIST FOR E-Z 100 DIESEL MELTER-42300PB -

NUMBER	PART NUMBER	QTY	DESCRIPTION
26	28213	2	2" X 90" ELBOW
27	41268	1	VALVE HANDLE EXTENSION
28	29060	2	GASKET - 8' HOLE
29	29292	1	FLANGED GATE VALVE
30	41660	1	FLANGE ASSEMBLY - SUCTION
31	41291	1	CROSS FEED PIPE
32	41623	1	U BOLT PIPE HANGER
33	28358	1	2 X 1 REDUCING BUSHING
34	41092	1	MATERIAL PUMP CONT. VALVE
35	41093	1	AGITATOR CONT. VALVE
36	41680	1	PIPE ASSEMBLY - UPPER
37	22030	2	FLANGE NIPPLE ASSEMBLY
38	29050	4	FLANGE GASKET - 6 HOLE
39	41243	1	24" TEMPERATURE GAUGE
40	40078	1	12" TEMPERATURE GAUGE
41	26025	3	AIR BREATHER
42	43355	1	OVERFLOW TANK
43	43763	1	AIR RELIEF TUBE
44	43594	1	FUEL TANK
45	43595	1	HYDRAULIC TANK
46	22071	1	HYDRAULIC FILTER
47	41193	1	HYDRAULIC PUMP
48	43078	1	13 H.P. DIESEL ENGINE
49	41872	4	ENGINE ISOMOUNTS
50	23097	1	TONGUE JACK, SIDE MOUNT
51	23117	1	BREAKAWAY SWITCH UNIT

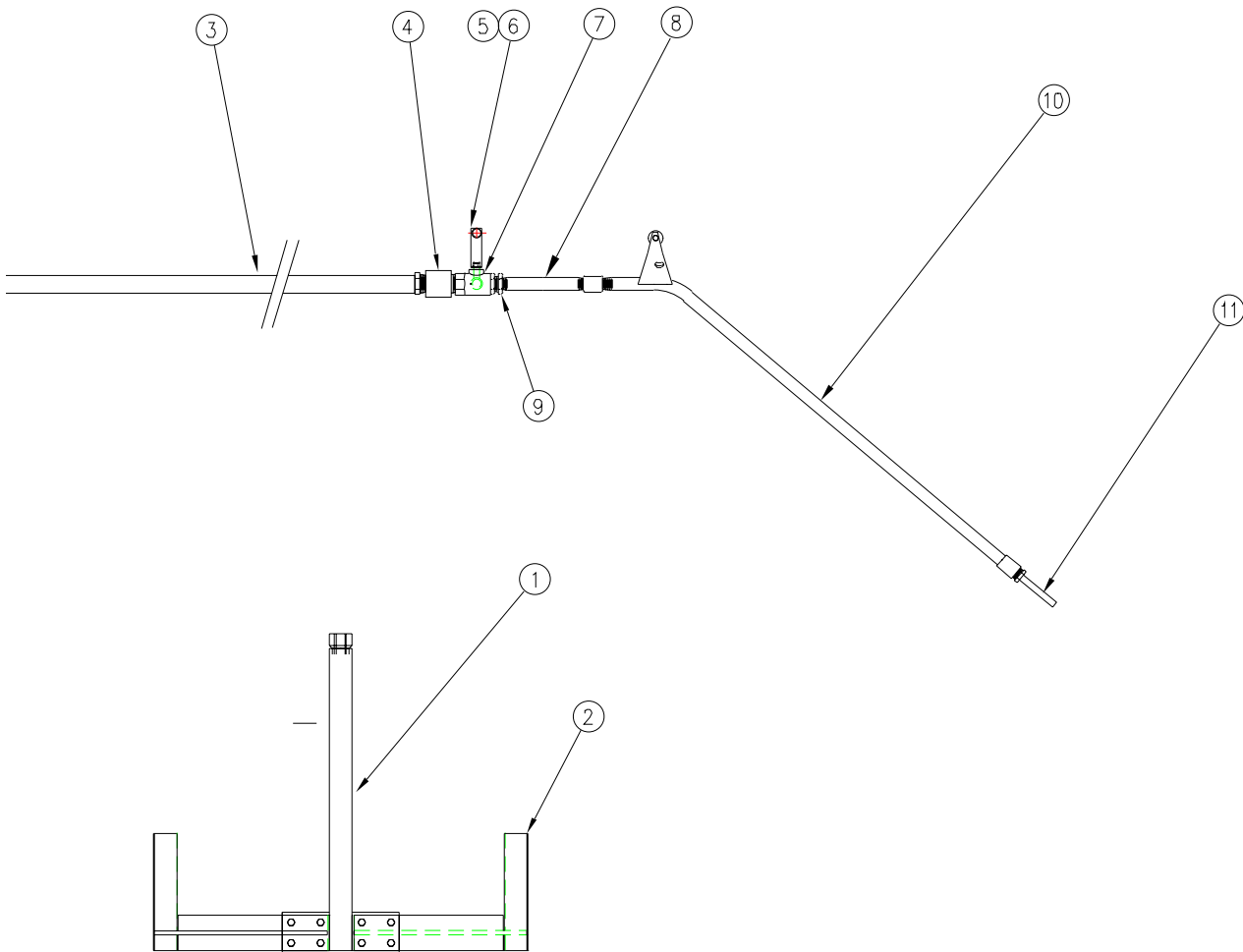
E-Z 100 DIESEL MELTER - 42300PB1



PARTS LIST FOR E-Z 100 DIESEL -

NUMBER	PART NUMBER	QTY	DESCRIPTION
1	28178	2	1/2 PIPE COUPLING
2	40078	1	12" TEMPERATURE GAUGE
3	25203	2	STUFFING BOX
4	28177	2	3/8 PIPE COUPLING
5	41243	1	24" TEMPERATURE GAUGE
6	28178	2	1/2 PIPE COUPLING
7	41575	1	FENDER - L.H. ASSEMBLY
8	22027	1	HYDRAULIC MOTOR
9	28237	1	3/8 X 90° ELBOW
10	28282	1	3/8 PIPE PLUG
11	28002	1	3/8 CLOSE NIPPLE
12	29202	1	3/8 BALL VALVE
13	25057	1	9" TEMPERATURE GAGE
14	41576	1	FENDER - R.H. ASSEMBLY
15	22310	1	AGITATOR MOTOR
16	40029	1	MOUNTING PLATE
17	40030	4	PIPE SPACER
18	40136	1	DIPSTICK ASSEMBLY
19	41891	1	14 VOLT BURNER
20	41883	1	BURNER NOZZLE (1.5-80° B)
21	39602	1	SOLENOID

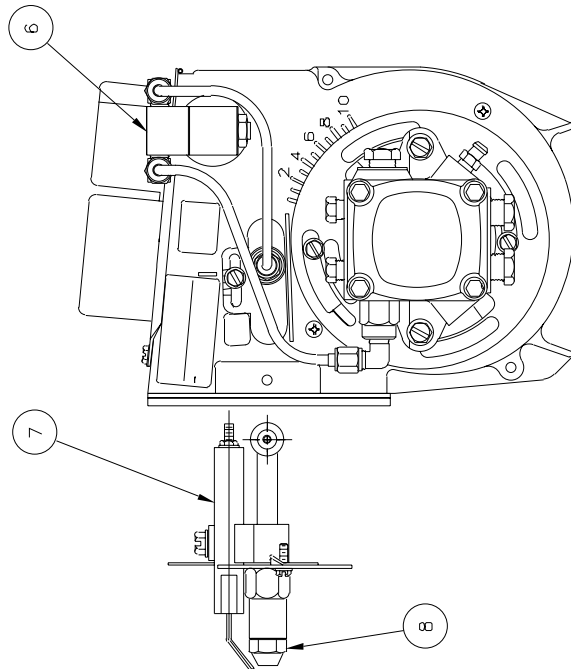
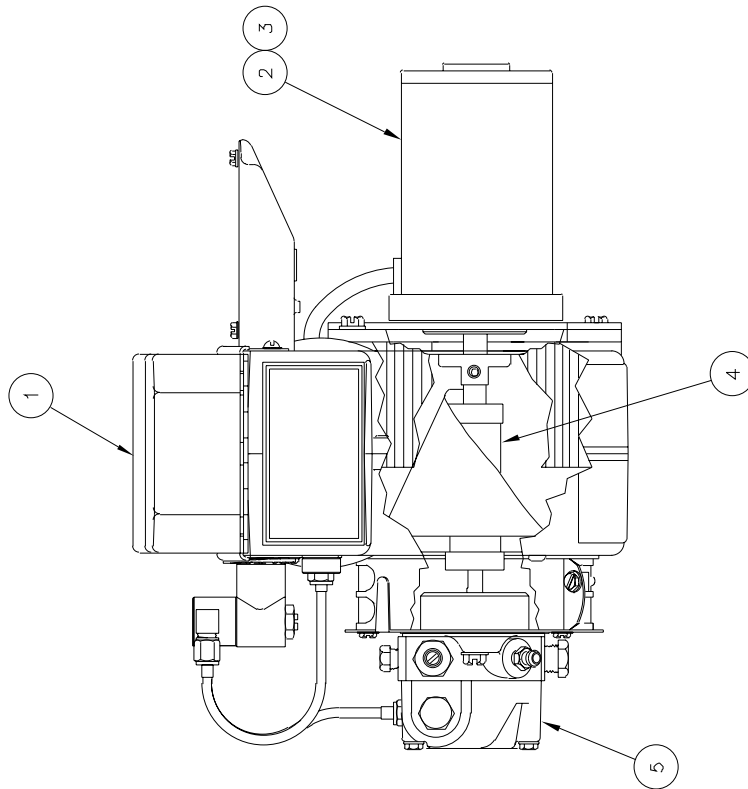
MATERIAL HOSE AND WAND ASSY/MIXER SHAFT AND PADDLE ASSY - 42300PB2



**PARTS LIST FOR MATERIAL HOSE AND WAND ASSY/MIXER SHAFT
AND PADDLE ASSY-42300PB2**

NUMBER	PART NUMBER	QTY	DESCRIPTION
1	41690	1	AGITATOR SHAFT ASSEMBLY
2	41587	2	PADDLE ASSEMBLY
3	27084	1	SEALANT HOSE ASSEMBLY (15FT LONG)
4	27048	2	MALE FEMALE SWIVEL
5	41208	1	HANDLE ASSEMBLY WITH VALVE
6	27080	1	HANDLE ASSEMBLY
7	29240	1	1" BALL VALVE
8	28100	1	3/4 X 8 PIPE NIPPLE
9	28351	1	1 X 3/4 REDUCING BUSHING
10	41629	1	HAND WAND ASSEMBLY
11	27171	1	SEALING TIP

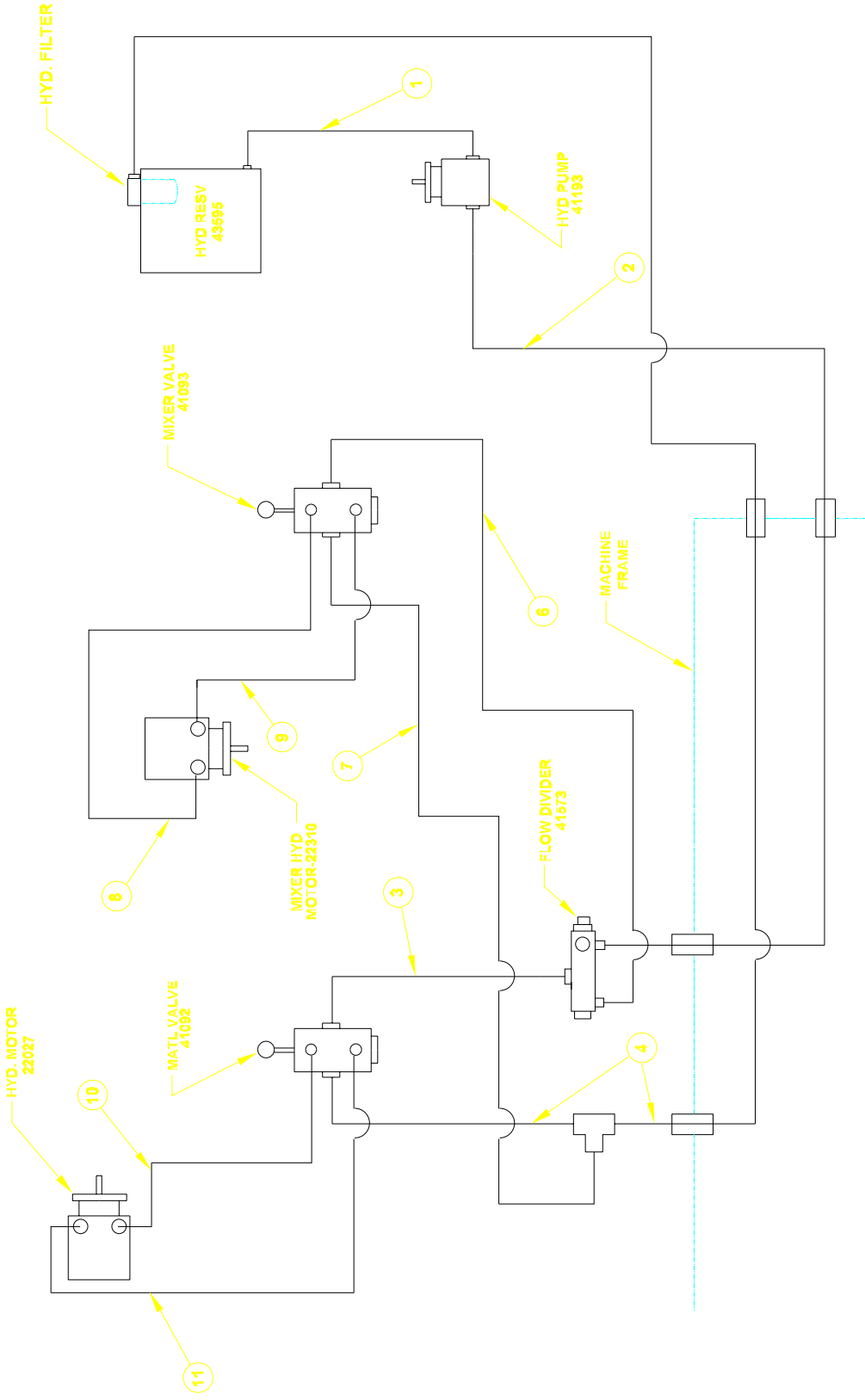
DIESEL BURNER



DIESEL BURNER

DIESEL BURNER			
ITEM	PART NUMBER	QTY	DESCRIPTION
1	41949	-	IGNITION TRANSFORMER
2	41890	-	BLOWER MOTOR
3	41934	-	BRUSH KIT - MOTOR
4	41970	-	COUPLING - FUEL PUMP
5	41979	-	PUMP - FUEL
6	41888	-	SOLENOID - FUEL
7	41993	-	ELECTRODE
8a	41883	-	NOZZLE (SS125D, SS125DC, SS125DCRC)
8b	41881	-	NOZZLE (SS250D, SS250DC, SS250DRC)
8c	42559	-	NOZZLE (350D, 400D)
9	41870	-	CAD EYE (NOT SHOWN)
10	42335	-	DC CONTROLLER (NOT SHOWN)

**HYDRAULIC PIPING DIAGRAM
E-Z 100 DIESEL MELTER WITH PUMP/APPLICATOR
26440PB**

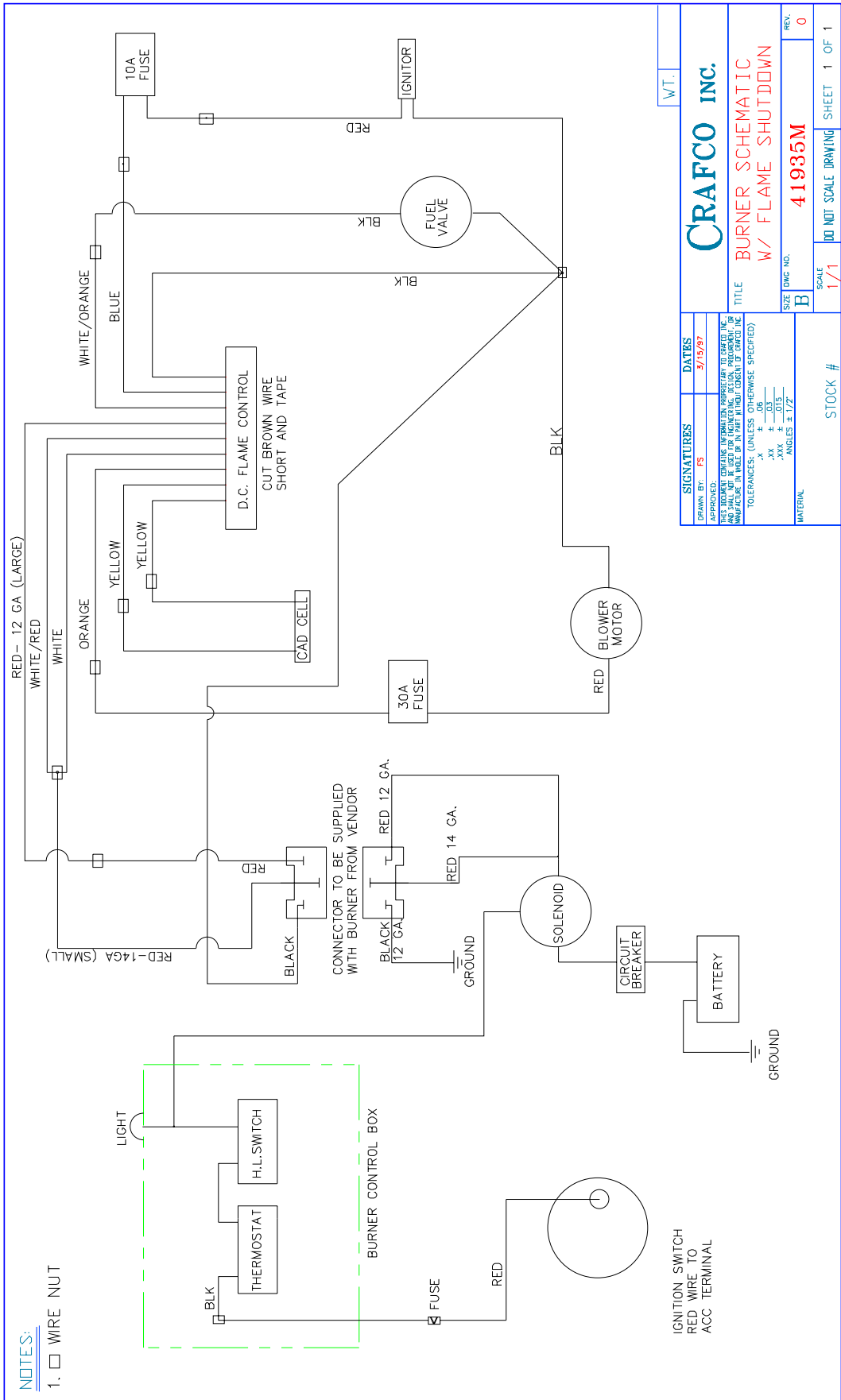


HYDRAULIC PIPING - 100 GAL. DIESEL MELTER

1. HYDRAULIC RESERVOIR TO HYDRAULIC PUMP (SUCTION)		
1	29814	ELBOW ADAPTOR
1	29572	HYDRAULIC HOSE ASSEMBLY 1" X 36" LONG
1	29824	ELBOW ADAPTOR
2. HYDRAULIC PUMP PRESSURE TO FLOW DIVIDER VALVE "IN" PORT		
1	29821	STRAIGHT ADAPTOR
1	29594	HYDRAULIC HOSE ASSEMBLY 1/2 X 48" LONG
1	29805	BULKHEAD CONNECTOR
1	29807	BULKHEAD LOCKNUT
1	41552	TUBE ASSEMBLY
1	29805	BULKHEAD CONNECTOR
1	29807	BULKHEAD LOCKNUT
1	29815	PIPE SWIVEL CONNECTOR
1	28348	REDUCING BUSHING 3/4 X 1/2
3. FLOW DIVIDER VALVE ("PB" PORT) TO MATERIAL VALVE ("IN" PORT)		
1	28348	REDUCING BUSHING 3/4 X 1/2
1	29841	STRAIGHT ADAPTOR
1	40012	HYDRAULIC HOSE ASSEMBLY 3/8 X 24" LONG
1	29872	ELBOW ADAPTOR
1	28347	REDUCING BUSHING 3/4 X 3/8
4. MATERIAL VALVE ("OUT" PORT) TO HYDRAULIC FILTER ("IN" PORT) RETURN		
1	29813	ELBOW ADAPTOR
1	22110	HYDRAULIC HOSE ASSEMBLY 1/2 X 27" LONG
1	29811	SWIVEL NUT RUN TEE
1	29805	BULKHEAD CONNECTOR
1	29807	BULKHEAD LOCKNUT
1	41552	TUBE ASSEMBLY
1	29805	BULKHEAD CONNECTOR
1	29807	BULKHEAD LOCKNUT
1	29567	HYDRAULIC HOSE ASSEMBLY 1/2 X 41" LONG
1	29813	ELBOW ADAPTOR
1	28351	REDUCING BUSHING 1 X 3/4
5. HYDRAULIC FILTER ("OUT" PORT) TO HYDRAULIC RESERVOIR		
1	28005	1" CLOSE NIPPLE

HYDRAULIC PIPING - 100 GAL. DIESEL MELTER

6. FLOW DIVIDER VALVE ("REG" PORT) TO MIXER VALVE ("IN" PORT)		
1	28347	REDUCING BUSHING 3/4 X 3/8
1	29872	ELBOW ADAPTOR
1	40012	HYDRAULIC HOSE ASSEMBLY 3/8 X 24" LONG
1	29876	ELBOW ADAPTOR
1	28348	REDUCING BUSHING 3/4 X 1/2
7. MIXER VALVE ("OUT" PORT) TO TEE IN LINE 4		
1	29813	ELBOW ADAPTOR
1	22110	HYDRAULIC HOSE ASSEMBLY 1/2 X 27" LONG
8. MIXER VALVE ("INBOARD" PORT) TO HYD MOTOR FOR MIXER (L.H. PORT)		
1	29841	STRAIGHT ADAPTOR
1	40187	HYDRAULIC HOSE ASSEMBLY 3/8 X 18" LONG
1	29808	TUBE CONNECTOR
1	41550	TUBE ASSEMBLY
1	22029	STRAIGHT ADAPTOR "O" RING
9. MIXER VALVE ("OUTBOARD" PORT) TO HYD MOTOR FOR MIXER (R.H.		
1	29841	STRAIGHT ADAPTOR
1	40187	HYDRAULIC HOSE ASSEMBLY 3/8 X 18" LONG
1	29808	TUBE CONNECTOR
1	41551	TUBE ASSEMBLY
1	22029	STRAIGHT ADAPTOR - "O" RING
10. MATERIAL VALVE ("INBOARD" PORT) TO HYD MOTOR FOR MATERIAL PUMP (BOTTOM PORT)		
1	29876	ELBOW ADAPTOR
1	29570	HYDRAULIC HOSE ASSEMBLY 3/8 X 34" LONG
1	22029	STRAIGHT ADAPTOR - "O" RING
11. MATERIAL VALVE ("OUTBOARD" PORT) TO HYD MOTOR FOR MATERIAL PUMP (TOP PORT)		
1	29876	ELBOW ADAPTOR
1	29570	HYDRAULIC HOSE ASSEMBLY 3/8 X 34" LONG
1	22029	STRAIGHT ADAPTOR - "O" RING



**Pioneering Leadership and
Innovation in Quality
Pavement Maintenance
Materials.**

CRAFCOTM INC
AN ERGON COMPANY

**235 South Hibbert • Mesa, Arizona 85210
480-655-8333 • Watts 1-800-528-8242
Fax 480-655-1712**

© Copyright 1988 by Crafc0, Inc.