



**E-Z POUR 400 DIESEL MELTER
WITH AIR COMPRESSOR
WITH PUMP/APPLICATOR**

PART MANUAL - 26362

Created: 11/01

**E-Z POUR 400 DIESEL MELTER
WITH AIR COMPRESSOR
WITH PUMP/APPLICATOR**



TABLE OF CONTENTS

EZ Pour 400 Diesel Melter with Air Compressor with Pump/Applicator.....	5
Safety Precautions.....	6-7
Limited Warranty.....	7
Warranty Claim Instructions.....	8
Specifications.....	9
Introduction.....	10
Operating Instructions	
Machine Start Up.....	11-13
Air Compressor.....	14
Checking Temperature Control Calibration.....	14
Recalibrating the Temperature Controls.....	15
Loading Machine.....	15
Shutdown & Clean-Out Procedure/Storing Machine.....	16
Instruction for Ordering Parts.....	16
Maintenance	
Maintenance Instructions.....	17
Maintenance Chart.....	18
General Maintenance Items/Service Instructions.....	19
Recommended Fluids and Lubricants.....	20
Diesel Burner Electrode Adjustments/Diesel Burner Settings.....	21
Trouble Shooting	
Trouble Shooting Guide.....	22
Burner Trouble Shooting Guide.....	23
Pump Section Packing Instructions.....	24
Diagrams and Parts	
E-Z 400 Diesel Melter with Air Compressor with Pump/Applicator Diagram and Parts.....	25-32
Diesel Burner Diagram and Parts.....	33-34
Hydraulic Piping Diagram and Parts.....	35-38
Diesel Piping Diagram and Parts.....	39-40
Air Piping Diagram and Parts.....	41-42
Burner Schematic with Shutdown.....	43

E-Z POUR 400 DIESEL MELTER WITH AIR COMPRESSOR WITH PUMP/APPLICATOR

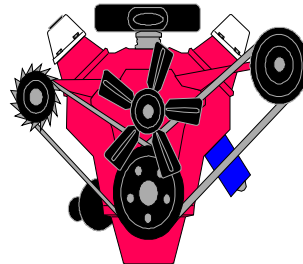
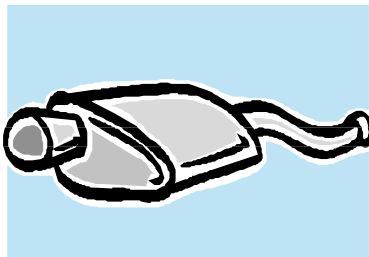
This manual is furnished with each new **CRAFCO E-Z POUR 400 DIESEL MELTER with AIR COMPRESSOR and PUMP/APPLICATOR**. The manual will help your machine operators learn to run the sealer properly and understand its mechanical functions for trouble-free operation.

Your **CRAFCO E-Z POUR 400 DIESEL MELTER with AIR COMPRESSOR and PUMP/APPLICATOR** is designed to give excellent service and save maintenance expense. However, as with all specifically engineered equipment, you can get best results at minimum costs if:

- (1) You operate your machine as instructed in this manual, and
- (2) Maintain your machine regularly as stated in this manual.



WARNING: The engine exhaust from this product contains chemicals known to the State of California to cause cancer, birth defects or other reproductive harm. Operate in well ventilated area only. Engine exhaust is deadly.



SAFETY PRECAUTIONS

- High operating temperatures of sealant and machine require protective clothing and gloves be worn by operator.



- Always wear eye protection.

- Observe all **CAUTION AND WARNING** signs posted on machine.



- Avoid the entrance of water into any part of the machine. Water will displace heat transfer oil or sealant, which could be hazardous to personnel surrounding the machine when it reaches operating temperatures.

- Avoid bodily contact with hot sealant material or heat transfer oil, serious burns may result.

- Read Operator Manual thoroughly before operating machine.

- Make sure operator is familiar with machine operation.

- Do not operate in closed building or confined areas.

- Shut-down burner and engine prior to refilling diesel tanks.

- When adding solid material to sealant tank, stop mixer, lift lid, place material onto lid and close lid before restarting mixer. Hot material could splash and cause serious burns if this procedure is not followed.

- Keep hands, feet, and clothing away from all moving parts.

- Always keep a fire extinguisher near the unit. Maintain extinguisher properly and be familiar with its use.

- **DO NOT** exceed 525° F. for heat transfer oil temperature.



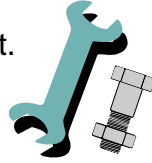
- **DO NOT** overfill heat transfer oil level. Expansion of oil during heat up could cause overflow. With machine in level position, check oil each day before starting burner, add oil to top mark on dipstick if required (at 70° F.). **Use only recommended heat transfer oil and change after 500 hours of operation or one year, whichever occurs first.**

- Follow operating instructions for starting and shut-down of burner. Instructions are mounted on control box.

- Calibrate temperature control prior to initial operation and each 50 hours of operation.

SAFETY PRECAUTIONS

- Replace any hoses which show signs of wear, fraying, or splitting. Be sure all fittings and joints are tight and leak-proof.
- Precaution is the best insurance against accidents.
- The E-Z Pour 400 Diesel Melter should not be left unattended with burner lit.
- Tighten all bolts and screws after every 100 hours of operation.
- CRAFCO, Inc. assumes no liability for an accident or injury incurred through improper use of the machine.
- Refer to Compressor Manual for operating procedures & safety precautions.



E-Z POUR 400 DIESEL MELTER WITH AIR COMPRESSOR AND PUMP/APPLICATOR LIMITED WARRANTY

Crafco, Inc., through its authorized distributor, will replace for the original purchaser free of charge any parts found upon examination by the factory at Mesa, Arizona, to be defective in material or workmanship. This warranty is for a period within 60 days of purchase date, but excludes engine or components, tires, and battery as these items are subject to warranties issued by their manufacturers.

After 60 days, Crafco, Inc., warrants structural parts, excluding heating system, hydraulic components, material pump and hoses, hot oil pump, applicator valves, and electrical components for a period of (1) one year from date of delivery. Crafco, Inc., shall not be liable for parts that have been damaged by accident, alteration, abuse, improper lubrication/maintenance, normal wear, or other cause beyond our control.

The warranty provided herein extends only to the repair and/or replacement of those components on the equipment covered above and does not cover **labor** costs. The warranty does not extend to incidental or consequential damages incurred as a result of any defect covered by this warranty.

All transportation and labor costs incurred by the purchaser in submitting or repairing covered components must be borne by the purchaser.

Crafco, Inc. specifically disavows any other representation, warranty, or liability related to the condition or use of the product.



WARNING: Use of replacement parts other than genuine Crafco parts may impair the safety or reliability of your equipment and nullifies any warranty.

WARRANTY CLAIM INSTRUCTIONS

Please follow the instructions stated below when calling in a Warranty Claim. Failure to follow these procedures may be cause to void the warranty.

1. Call your local CrafcO Distributor. If you do not know who your local distributor is, call a CrafcO Customer Service Representative, (Toll Free 1-800-528-8242) for name, location, and telephone number.
2. On contacting the distributor, be prepared to identify the machine type, model number, and serial number, also, the date of purchase if available.
3. Should the cause of the malfunction be a defective part, the distributor will advise you of the procedure to follow for a replacement.
4. The warranty is valid only for parts, which have been supplied or recommended by CrafcO, Inc.

If you have any additional questions regarding warranty repairs and parts, please do not hesitate to call toll free 1-800-528-8242.

CRAFCO, INCORPORATED
235 SOUTH HIBBERT DRIVE
MESA, AZ. 85210
480-655-8333
Toll Free 1-800-528-8242

SPECIFICATIONS

Vat Capacity.....	400 Gallons
Melt Capacity.....	250 Gallons/Hour
Heat Transfer Oil Required.....	55 Gallons at 70° F
Tank Construction.....	Double Boiler Type
Tank Opening Size (2).....	16" X 24"
Maximum Heat Input.....	Diesel, Burner- 400,000 BTU
Burner and Temperature Control.....	Automatic
Engine - Isuzu.....	3 Cylinder 33 HP @ 3000 rpm
Drive Mechanism.....	All hydraulic with infinite speed forward & reverse action.
Mixer.....	Full sweep mixer with 2 blades.
Axle.....	Dual-5,200 lbs.capacity
Tires (4).....	ST 225/75R15 (load range D) (2,540 lbs. capacity each)
Dry Weight.....	Approximately 5,800 lbs.
Diesel Tank	30 Gallons
Air Compressor.....	38.2 CFM Rated @ 90 PSI Air Pressure Setting

E-Z POUR 400 DIESEL MELTER OPERATING INSTRUCTIONS

INTRODUCTION

The CRAFCO E-Z Pour 400 Diesel Melter was developed to melt CRAFCO Brand Sealants. However, it will work equally well with all road asphalts and federal specification crack or joint sealants.

DO NOT operate machine without reading operator's manual and being thoroughly familiar with controls:

1. Fill engine fuel tank with diesel fuel (use #1 in cold weather, #2 in warm weather).
2. Check engine crankcase oil (refer to Engine Operator's Manual).
3. Check hydraulic fluid level, at ambient temperature. Add fluid if necessary to bring fluid to correct level.
4. Check heat transfer oil level. Check level at ambient temperature, machine level. At 70° F, oil should be at the top mark. **DO NOT** overfill, or spillage may occur when machine reaches operating temperature.
5. All valves should be in closed position and temperature control box set at "**OFF**".
6. Applicator hose can be kept warm and ready for use by storing in heating chamber before using machine. Close heating doors after hose and wand have been coiled in chamber.
7. Check temperature control calibration.
8. Check oil in compressor (refer to Compressor Operator's Manual.)



CAUTION:

Extreme care must be used when operating this equipment. Safety is the result of being careful and paying attention to details. Remember the diesel flame is about 2,200° F. Certain exposed parts of this machine, when operating reach 500° F; the sealant as high as 400° F and the hydraulic fluid may reach 200° F. Always wear protective clothing, hard sole shoes, and eye protection. Be sure that all joints and fittings are tight and leak proof. Immediately replace any hose, which shows any signs of wear, fraying, or splitting. Tighten all bolts, nuts, and screws every 250 hours.

MACHINE START UP

TO START BURNER

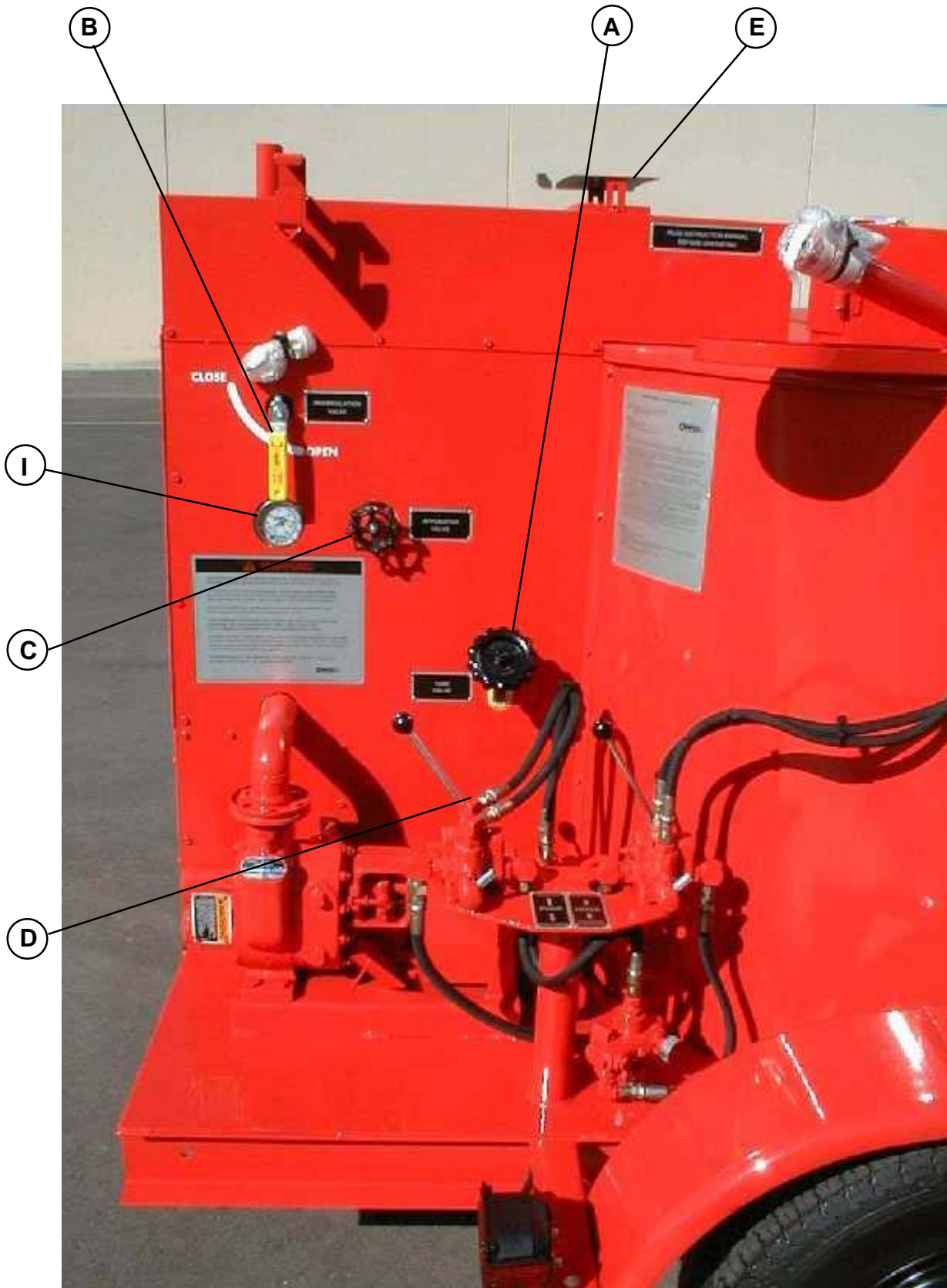
1. Fully open the damper vent.
2. Set temperature dial to “OFF”.
3. Start engine.
4. Turn temperature dial to desired temperature setting.



CAUTION:

If burner does not ignite the first time, turn temperature dial to off. Turn temperature dial to desired setting. Burner should ignite. If burner still does not ignite, determine cause of malfunction (see Trouble Shooting Guide).

5. Allow the heating oil to continue to heat. When sealant material reaches a liquid state, engage the agitator by moving the agitator level either forward or backward. If agitator does not move, allow material to heat longer. Jamming of mixer shaft causes hydraulic oil to over heat and machine damage could occur.
6. When sealant reaches correct application temperature, open main tank valve (Page 12, item A), open recirculation valve (Page 12, item B) and close applicator valve (Page 12, item C). Put sealant pump in reverse (Suction) mode. When pump turns freely, reverse sealant pump flow (Discharge) (Page 12, item D). This circulates sealant back into tank.
7. Check the sealant temperature at material pump. This indicates the temperature of sealant flowing through lines.
8. When application of sealant is desired, remove the hose from the rear of machine. Attach hose to hand applicator. Be sure to hand tighten only. Place applicator in rear tank opening, with the hand wand valve in the **ON** position.
9. Open applicator valve (Page 12, item C).
10. Close the recirculation valve (Page 12, item B). **IMPORTANT:** Adjust the valve to get the desired amount of flow from the applicator wand given your applicator needs. You do not need to close the valve all the way for application. If material does not flow from wand, the hose may need to be warmed. Heat hose by placing in heating chamber to liquify sealant in hose, then repeat procedure.
11. Extreme care should be taken when changing or installing applicator tips. If the material is hot the material pump **must** be put in the “**SUCTION**” mode. This will insure against hot material pumped from wand. **Sealant material is hot and can cause skin burns.**
12. To apply sealant to joint, remove hand applicator from rear tank opening. **Make sure** the hand wand valve is closed. When applicator wand is over joint, open hand valve and apply sealant.
13. To prevent hose from cooling, place the applicator wand in the rear tank opening when not to be used for 2 minutes or more. Always close hand wand prior to inserting wand in tank opening. Open hand valve to recirculate back into tank and keep hose warm.





AIR COMPRESSOR

The air compressor unit installed on the E-Z Pour 400 is designed to assist in the cleaning of debris from cracks and joints. **Always** use approved high pressure air hoses with properly installed fittings. **Do not use frayed or worn hoses.** A cold air lance, or approved hot air lance can be used with this compressor.

For maximum air compressor performance, the engine should be operated at maximum factory set R.P.M.'s.

Consult Crafc0, on your hot air lance dealer for the appropriately sized lance used on a 38 CFM compressor.

The compressor is operated hydraulically and disengaged when maximum air pressure setting in storage tank is reached. If the compressor is not needed, turn off at toggle switch (Figure F, (page 13) side of temperature control box.

CHECKING TEMPERATURE CONTROL CALIBRATION

The temperature control system is calibrated at the factory during testing; however, it is good practice to check the calibration when the machine is first put into operation and periodically thereafter. (Each 50 hours of operation is recommended.) The gauge (Figure G, page 13), registers the actual temperature of the heat transfer oil and it should coincide with the temperature control hand knob setting (Figure H, page 13).

To check the calibration, first the machine must be level and the following procedure must be followed - check heat transfer oil level (at 70° F.), must be high enough to submerge the temperature gauge probe. Start up the burner. Set temperature control hand knob at about 250° F. Leave burner on until 200° F. registers on the temperature gauge. Slowly turn the temperature control hand knob down until a click is heard and/or the burner shuts off. If the temperature control hand knob, at this point, reads differently than the temperature gauge, recalibration is required.

RECALIBRATING THE TEMPERATURE CONTROLS

To recalibrate the temperature control, set the temperature control knob to 200° F. When the burner shuts off, carefully pull the hand knob off the spindle. Be careful not to move the spindle during this operation. With a jeweler's screwdriver (or the flattened end of a paper clip) turn the adjusting screw inside the spindle **counterclockwise** no more than 1/8 turn to start the burner, to increase the temperature (1/8 turn will raise the temperature 15° F. to 20° F.), continue turning the screw each time the burner cuts out until the gauge reads 200° F. Carefully replace hand knob. Both the hand knob and the temperature gauge should now read approximately 200° F.



CAUTION:

Extreme care must be used when operating this equipment. Safety is the result of being careful and paying attention to details. Remember the diesel flame is about 2200° F. Certain exposed parts of this machine, when operating, reach 500° F.; the sealant as high as 400° F. and the hydraulic oil may reach 200° F. Always wear protective clothing and eye protection. Be sure that all joints and fittings are tight and leakproof. Immediately replace any hose which shows any signs of wear, fraying or splitting. Tighten all bolts on all flanges after 100 hours. Tighten all bolts, nuts and screws every 250 hours.

LOADING THE MACHINE

When loading solid material into the sealant tank, the mixer must be momentarily stopped, the lid lifted, the material placed on the lid and the lid closed again before the mixer is restarted. Following this procedure will prevent the hot material from splashing and causing serious burns to personnel.

The solid material must be added at intervals, which will allow the mixer to rotate without jamming. If blocks of material are fed in too quickly, jamming will result and slow down the melting process.

SHUTDOWN AND CLEAN-OUT PROCEDURE

1. Turn the temperature dial to “**OFF**”.
2. Move mixer control valve to “**OFF**” position.
3. Close recirculation valve.
4. Put material pump in suction mode. With hand applicator valve open, disconnect wand and return hose to heat chamber. Close applicator valve. Open recirculation valve. Close main tank valve.
5. Return material pump control valve to “**OFF**” position.
6. Turn off engine.
7. Return wand to heat chamber.

STORING MACHINE

The E-Z Pour 400 should be stored in an area to prevent moisture from entering machine. This will allow the moisture condensation to settle to the bottom rear of the heat transfer oil tank, above the drain plug. After extended periods of time, the water can be drained by removing the plug and replacing it when all water is displaced.



CAUTION:

If there is any suspicion that moisture is still present after draining, warm heat transfer oil to 300° F. for 2 or 3 hours to evaporate any moisture.

INSTRUCTION FOR ORDERING PARTS

Parts may be ordered from your local CRAFCO distributor or directly from CRAFCO, Inc. if a distributor is not available in your area. When ordering parts, give the following information:

1. Part Number
2. Machine Model
3. Serial Number from Name Plate

Write, telephone, or fax:

CRAFCO, INC.
235 SOUTH HIBBERT
MESA, AZ 85210
480-655-8333
480-655-1712
Toll Free: 1-800-528-8242

MAINTENANCE INSTRUCTIONS

ENGINE:

- Check engine oil daily. Change after the first 50 hours of operation and change every 100 hours thereafter.
- Change oil filter initially at 50 hours, every 150 hours thereafter.
- See engine owners manual for additional operating and maintenance instructions.



HYDRAULIC SYSTEM:

Check hydraulic fluid daily. Change hydraulic filter after first 250 hours of operating and every 250 hours thereafter. Change hydraulic fluid every 500 hours of operation.

WHEEL BEARINGS:

Repack wheel bearings every 24,000 miles or every two years, using a good grade of bearing grease.

TONGUE JACK:

Lubricate tongue jack, using a good grade of bearing grease.

SEALANT PUMP:

Lubricate outboard bearings using a good grade of bearing grease. Adjust pump packing periodically. A slight drippage (several drops per minute) should be allowed. Refer to Pump Section for details. See page 24.

MAINTENANCE CHART

LOCATION	PROCEDURE	HOURS			
		Daily	50	100	500
Engine check oil level.	Check daily.	*			
Other Engine Maintenance	See Isuzu Operating and Maintenance Instructions.				
Battery	Check water level weekly.				
Pump Packing	Tighten as required. Drip should be several drops/per minute.		*		
Pump Outboard Bearing	Lubricate using a good grade of bearing grease.		*		
Heat Transfer Oil	Check (every 8 hours)		*		
	Change	After 500 hours or 1 year.			
Hydraulic Oil Return Line Filter	First change (250 hours)				
	Subsequent changes (250 hours)			*	
Hydraulic Oil	Check oil (daily).	*			
	Change oil (every 500 hours).				*
	For proper oil, see recommended fluids & lubricants.				
Burner	Check burner box insulation.				*
	Clean cad cell.				*
	Check electrodes.				*
	Check blower brushes.				*
	Check nozzle pressure.				*
Wheel Bearings	Clean & repack - using good grade of bearing grease.	Every 24,000 miles or every two years.			
Tongue Jack	Grease, using good grade of bearing grease.	Once a year.			
Air Compressor	See Air Compressor Manual.				

GENERAL MAINTENANCE ITEMS

RECOMMENDED QUANTITY	DESCRIPTION	PART NO.
1 Set	Packing, Sealant Pump	29990
1	Sealant Hose Assembly	27009
1	Engine Oil Filter	41869
1	Engine Fuel Filter	41867
1	Hydraulic Filter	44805
1	Air Filter	41868

SERVICE INSTRUCTIONS

1. Conduct a general inspection of your machine at least once a week. Replace all worn or damaged parts, make any necessary adjustments and tighten all loose nuts or screws.



2. Keep regular replacement items in stock for emergency repairs, to avoid costly "down" time. Refer to General Maintenance Items.
3. Watch for leaks - tighten packing on pumps as necessary.
4. Clean machine externally periodically. Check with sealant manufacturer for recommendation.
5. Follow recommended maintenance procedures on maintenance chart.

RECOMMENDED FLUIDS & LUBRICANTS

APPLICATION	RECOMMENDED	FULL POINT
Engine Oil	Refer to Isuzu Engine Operating Manual.	
Diesel	#1 Cold Climate #2 Warm Climate	30 Gal.
Hydraulic Oil	RONDO OIL-HD-68 Texaco	28 Gal.
Heat Transfer Oil		51 Gal.

The following is a list of suitable Heat Transfer Oils to be used in CrafcO equipment.

PRODUCER	PRODUCT NAME	PRODUCT NO.
Texaco	Regal	R&O 68
Gulf	Harmony	68
Shell	Thermia	"C"
Exxon	Teresstic	68
Phillips	Magnus	68
Chevron USA	Heat Transfer Oil #1	
Conoco	Dectol R&O	68
Union Oil	Turbine Oil	68

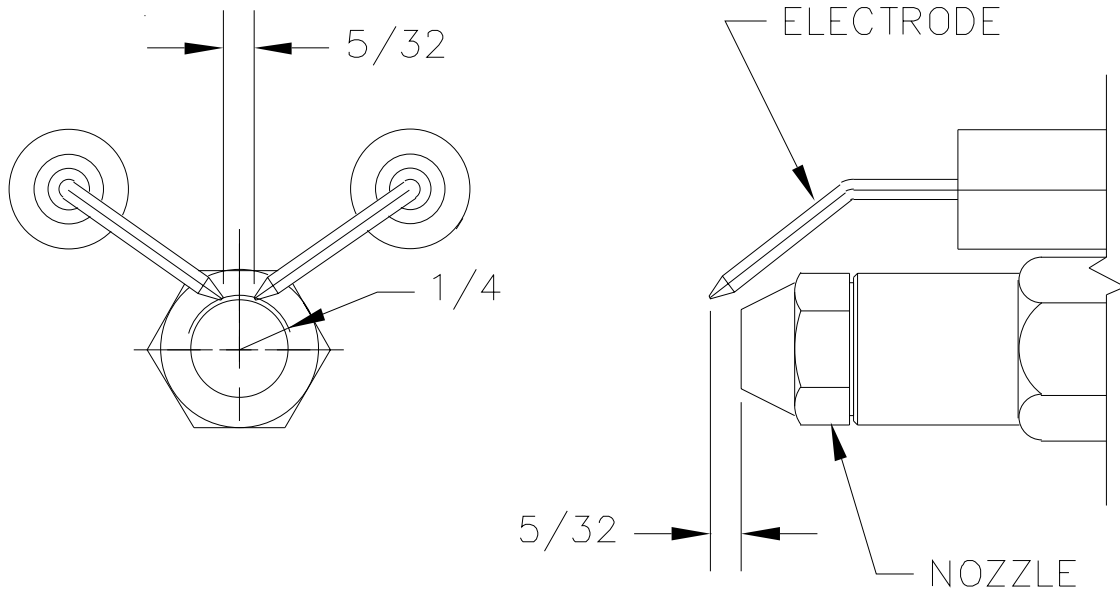


WARNING:

The Heat Transfer Oil in this machine is a grade that has been tested and recommended by CRAFCO, Inc. The addition of any grade of oil not specifically recommended by CRAFCO, Inc. shall be cause for the warranty to be void.

All oils subjected to high temperatures deteriorate with time and lose many of their characteristics. Test conducted by CRAFCO, Inc. have determined that for best results and safety, the Heat Transfer Oil in this machine must be drained and replaced with CrafcO, Inc. recommended oil after five hundred (500) hours of operation or one (1) year, whichever occurs first.

DIESEL BURNER ELECTRODE ADJUSTMENTS



DIESEL BURNER SETTINGS

Air Shutter = 5
Air Band = 5
Fuel Pressure = 140 PSI

TROUBLE SHOOTING GUIDE

PROBLEM	CAUSE	REMEDY
Mixer will not rotate.	Sealant temperature too low.	Continue to heat material.
	Too many blocks placed at one time.	Continue to heat material & try reversing mixer.
	Inadequate hydraulic flow/pressure.	Check hydraulic fluid level. Reset pressure/check flow if necessary.
Material pump will not turn.	Material in tank not to operating temperature.	Continue heating material.
	Inadequate hydraulic, flow/pressure.	Check hydraulic fluid level. Reset pressure/check flow as necessary.
	Material pump damaged or foreign object lodged in pump.	Replace/Remove.
Sealant will not recirculate back into tank through recirculation valve.	Material in tank not to correct temperature.	Continue heating material.
	Drain valve closed.	Open valve.
	Material still cold in suction line. Recirculation valve closed.	Make sure compartment temperature is adequate to melt material. Open valve.
Sealant material flows through recirculation valve but will not flow through application hand wand.	Application valve not open.	Open valve.
	Recirculation valve still open or damaged internally.	Close valve or replace.
	Hose/wand still cold.	Leave in chamber until hot.
When applying sealant it stops flowing from applicator wand.	Hand applicator valve was left in off position too long.	Heat hose by placing in heat chamber to liquify sealant.
	Too many blocks of material added to tank. Cold material entered pump & stopped flow.	Heat hose by placing in heating chamber to liquify sealant.
	Tank fluid level too low for material to flow into pump.	Continue heating material until more liquid material is available.
Pump rotates, but will not pump material.	Material pump worn or damaged.	Replace/Repair.
	Pump rotating in wrong direction.	Reverse control lever.
	Foreign object lodged in inlet line to pump.	Dislodge by reversing pump or disassemble inlet line.
	Material cold, inlet still solid.	Continue to heat material.
	Block of sealant over drain.	Dislodge by reversing mixer and pump.
Slow heat up of sealant.	Build up of coked or crystallized material on inside of material tank.	Allow machine to cool. Remove deposits and flush with solvent.
	Burner not operating.	See Burner Trouble Shooting Guide.
	Low heating oil level.	Make sure fluid level is correct.
	Low heating oil temperature.	Set at recommended temperature.
	Heating oil old or has crystallized.	Replace it as recommended every 500 hours.

BURNER TROUBLE SHOOTING GUIDE

PROBLEM	CAUSE	SOLUTION
Blower motor will not turn at correct speed or burner will not ignite.	1. High limit switch.	1. Check or replace.
	2. Wires at temperature control box loose or broken.	2. Check connections or tighten, replace if necessary.
	3. Battery low, alternator belt loose, alternator failure.	3. Recharge battery, tighten belt, check/replace alternator if necessary.
	4. Loose/broken battery cable.	4. Tighten/replace.
	5. Engine not running.	5. Charge battery by starting engine.
	6. Thermostatic control faulty.	6. Replace.
Burner will not shut down at set temperature.	Thermostatic control faulty or needs recalibration.	Recalibrate or replace if necessary.
Make sure engine is running so battery is fully charged.		
Burner blower runs but burner will not light.	1. Clogged fuel nozzle.	1. Check or replace.
	2. No fuel in tank, valve at tank shut off, clogged filter or jellied fuel.	2. Add fuel if necessary open valve, use fuel for anticipated weather.
	3. Igniter wires loose, dirty ignitors, faulty transformer.	3. Check for loose wiring, clean and adjust ignitors, replace transformer if faulty.
	4. Faulty fuel solenoid, loose wire.	4. Replace solenoid if necessary tighten all connections.
	5. Fuel pump at burner needs bleeding.	5. Open bleeder until fuel runs clear, tighten.
Excess smoke in heat compartment.	1. Air vent incorrectly set.	1. Set at 5.
	2. Blower motor not running at correct speed.	2. Charge battery by starting engine.

PUMP SECTION PACKING INSTRUCTIONS

Operate the pump under normal conditions and, after a short run-in period, examine packing for leakage. If leakage is excessive tighten locknuts evenly until there is only slight leakage from the packing rings. This slight leakage is a necessary and normal condition for packing and allows for expansion and proper seating.



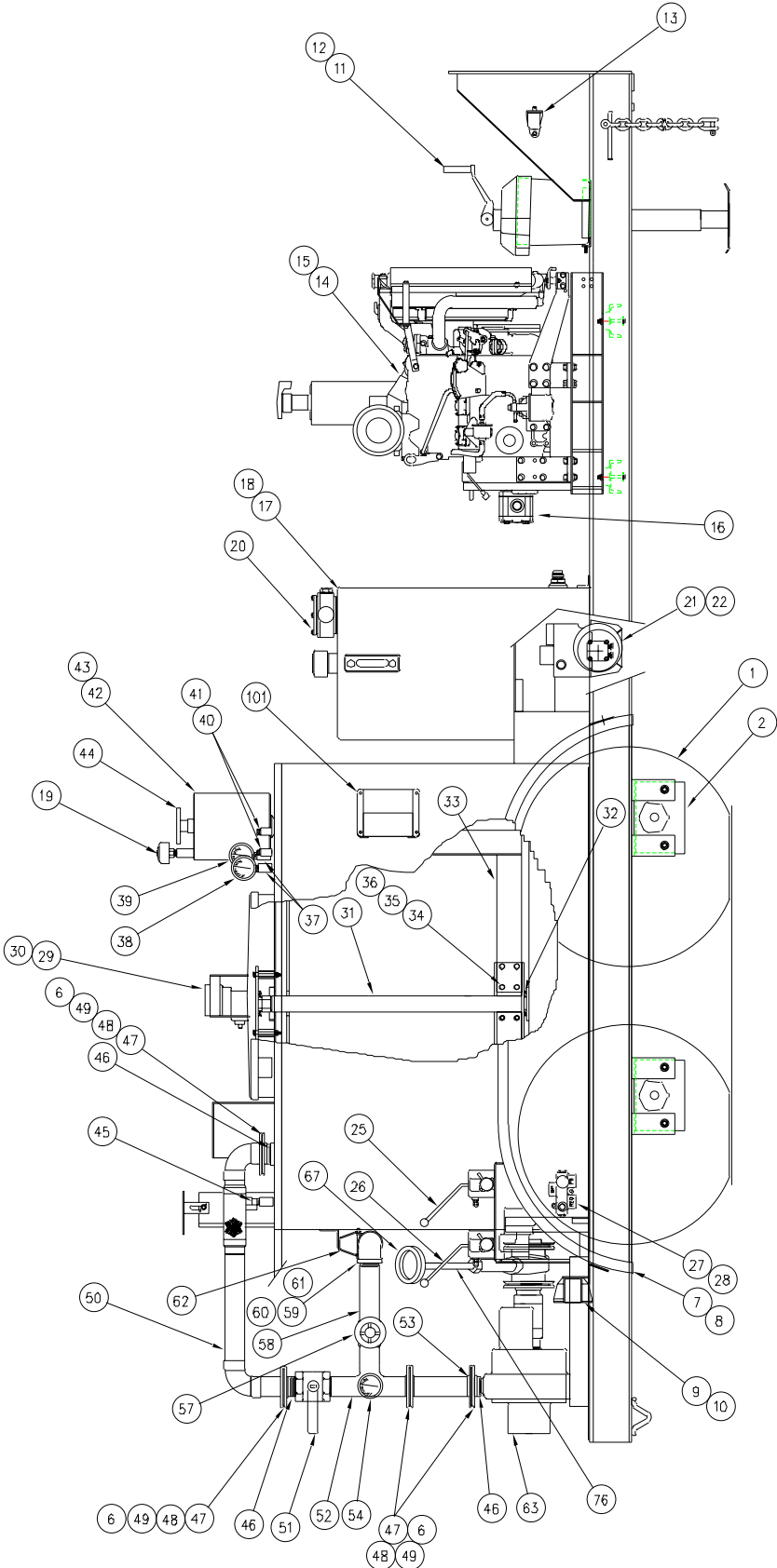
NOTE:

WHERE LIQUID IS BEING HANDLED, THAT IS HAZARDOUS OR VOLATILE, FULL PRECAUTIONS SHOULD BE TAKEN DURING THE RUN-UP PERIOD.

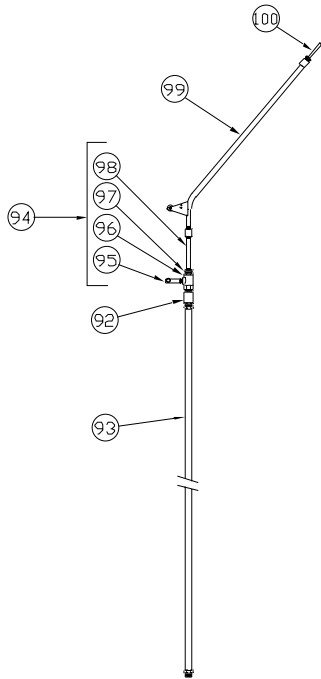
To replace packing remove key, two nuts and clips, packing gland and packing rings. (Packing hooks are commercially available to assist in removing the packing rings). Clean the shaft and adjacent parts. Examine the shaft, if it is excessively worn or scored, replacement of pump may be necessary.

Insert packing rings, making sure the joints are staggered 180 degrees. Use split ring bushings to seat each ring before adding the next ring. The rings must not be taped or seated in place too tightly. When the packing box is sufficiently full to allow entry of the packing gland (about 1/4") reassemble the packing gland, clips and nuts. Draw up evenly on the packing gland to assure proper seating of the packing, and then loosen nuts about 1/2 turn. Do not cock the packing gland. (This could cause binding or heating of the shaft).

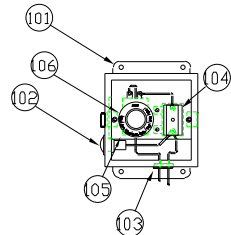
E-Z 400 DIESEL MELTER - (Drawing)



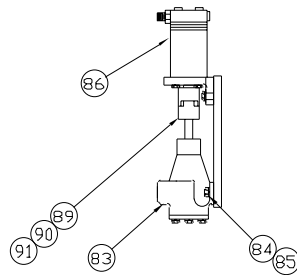
E-Z 400 DIESEL MELTER - Continued



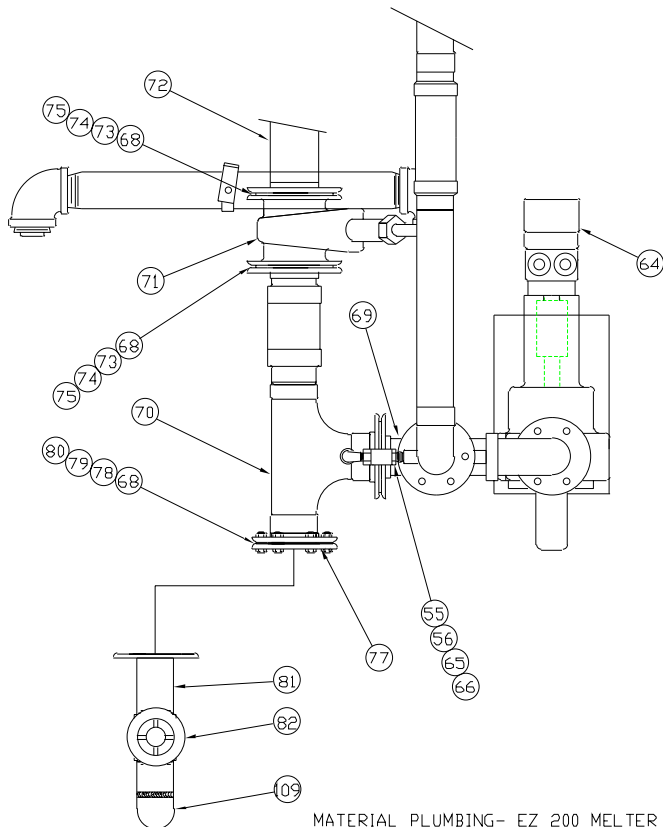
MATERIAL HOSE AND WAND ASSY



CONTROL BOX ASSY



HOT OIL PUMP



MATERIAL PLUMBING- EZ 200 MELTER

E-Z 400 D WITH AIR COMPRESSOR WITH PUMP/APPLICATOR PARTS LIST

NUMBER	PART NUMBER	QTY	DESCRIPTION
1	42515	4	TIRE AND WHEEL ASSEMBLY
2	42516	2	AXLE ASSEMBLY WITH SPRINGS
3	23088	2	ROCKER ARM
4	23075	8	SHACKLE TIE PLATE
5	23100	14	SHACKLE BOLT B2
6	23105	14	SHACKLE NUT N3
7	42718	1	FENDER ASSEMBLY
8	42718	1	FENDER ASSEMBLY
9	24022	1	TAIL LIGHT (RIGHT SIDE)
10	24023	1	TAIL LIGHT (LEFT SIDE)
11	23097	1	TONGUE JACK, SIDE MOUNT
12	23096	1	JACK SWIVEL BUSHING
13	23117	1	BREAKAWAY SWITCH UNIT
14	42616	1	33 HP DIESEL ENGINE
15	29399	4	ISOMOUNT
16	42664	1	HYDRAULIC PUMP
17	43591	1	32 GAL DIESEL TANK ASSEMBLY
18	43590	1	32 GAL HYDRAULIC TANK ASSEMBLY
19	26025	1	AIR BREATHER & ELEMENT 1/2" L R-A
20	44805	1	FILTER ELEMENT (REPLACEMENT)
21	41891	1	ADC 14 VOLT BURNER
22	42559	1	BURNER NOZZLE
23	41890	1	14 V BLOWER MOTOR (SERVICE)
24	41888	1	FUEL SOLENOID (SERVICE)
25	41093	1	AGITATOR CONTROL VALVE

E-Z 400 D WITH AIR COMPRESSOR WITH PUMP/APPLICATOR PARTS LIST

NUMBER	PART NUMBER	QTY	DESCRIPTION
26	41092	1	MATERIAL PUMP CONTROL VALVE
27	41573	1	FLOW DIVIDER PRIORITY
28	42573	1	MIXER MOTOR MOUNT
29	40030	4	PIPE SPACER (HYDRAULIC MOTOR)
30	42574	1	MIXER MOTOR
31	42780	1	AGITATOR SHAFT ASSEMBLY 400G
32	28682	1	1 5/8" FLAT WASHER
33	42545	2	PADDLE ASSEMBLY
34	28731	8	3/8" - 16 THREAD X 1" BOLT
35	28647	8	3/8" LOCK WASHER
36	28526	8	3/8" - 16 ESNA-TYPE LOCK-NUT
37			NOT USED
38	41243	1	24" TEMPERATURE GAUGE BTM MOUNT
39	40078	1	12" TEMPERATURE GAUGE BTM MOUNT
40	28177	2	3/8 PIPE COUPLING
41	25203	2	STUFFING BOX
42	43355	1	OVER-FLOW TANK ASSEMBLY
43	43763	1	AIR RELIEF ASSEMBLY
44	41199	1	DIPSTICK ASSEMBLY HO TANK
45	25057	1	9" TEMPERATURE GAUGE BOTTOM MOUNT
46	22030	3	FLANGED NIPPLE ASSEMBLY
47	29050	4	2" FLANGE GASKET - 6 HOLE
48	28731	24	3/8" - 16 THREAD X 1" BOLT
49	28538	24	3/8 LOCKNUT
50	41678	1	PIPE ASSEMBLY UPPER 200

E-Z 400 D WITH AIR COMPRESSOR WITH PUMP/APPLICATOR PARTS LIST

NUMBER	PART NUMBER	QTY	DESCRIPTION
51	41246	1	RECIRCULATION VALVE
52	42785	1	FLANGE TEE
53	42555	1	PIPE ASSEMBLY DOUBLE ELBOW
54	25050	1	TEMP. GAUGE 2-1/2" BACK MOUNT
55	28237	1	3/8 X 90 DEGREE STREET ELBOW
56	28282	1	3/8" PIPE PLUG
57	29270	1	BRONZE GATE VALVE - 2"
58	28110	1	2" X 8" PIPE NIPPLE
59	28213	2	PIPE ELBOW 2" 90 DEGREE
60	41291	1	CROSS FEED PIPE
61	28358	1	2 X 1 HEX HEAD REDUCING BUSHING
62	26078	1	2" CLEVIS HANGER (260)
63	41101	1	ROPER MATERIAL PUMP (JACKETED)
64	22027	1	HYDRAULIC MOTOR
65	26002	2	CHAIN COUPLING SPROCKET 1" BORE
66	26016	1	DUAL SPROCKET CHAIN-16-LINK
67	26030	1	CONNECTING LINK
68	41140	1	CHAIN GUARD W/HOLE
69			NOT USED
70	42529	1	MATERIAL PUMP SUCTION
71	29292	1	FLANGED GATE VALVE - 3"
72	41039	1	DRAIN PIPE EXT. ASSEMBLY
73	29060	2	GASKET - 3" CIRC FLANGE 8 HOLE
74	28731	16	3/8"-16 THREAD X 1" BOLT
75	28538	16	3/8"-16 STOVER C-TOP NUT

E-Z 400 D WITH AIR COMPRESSOR WITH PUMP/APPLICATOR PARTS LIST

NUMBER	PART NUMBER	QTY	DESCRIPTION
76	41268	1	VALVE HANDLE EXTENSION
77	29161	1	2-1/2 BLIND FLANGE
78	41043	2	2.94" FLANGE GASKET
79	28731	12	3/8"-16 THREAD X 1" BOLT
80	28538	12	3/8"-16 STOVER C-TOP NUT
81	41929	1	2-1/2 FLANGE ADAPTER
82	29270	1	BRONZE GATE VALVE-2"
83	41280	1	HOT OIL CIRCULATING PUMP
84	28714	2	1/4 - 20 X 3-1/2 BOLT
85	28646	2	5/16" LOCK WASHER
86	22302	1	HYDRAULIC MOTOR
87			NOT USED
88			NOT USED
89	41180	1	1/2 BORE COUPLING HALF
90	41695	1	COUPLING HALF 5/8" BORE
91	41182	1	SPIDER FOR 070 COUPLING
92	27048	1	SWIVEL-MALE/FEMALE
93	27009	1	20' SEALANT HOSE
94	41208	1	HANDLE ASSEMBLY W/VALVE
95	27080	1	HAND GUN VALVE HANDLE ASSEMBLY
96	29240	1	BRONZE BALL VALVE - 1"
97	28351	1	1 X 3/4 HEX HEAD PIPE BUSHING
98	28100	1	3/4" X 8" NIPPLE
99	41629	1	HAND WAND ASSEMBLY
100	27171	1	SEALING TIP ASSEMBLY

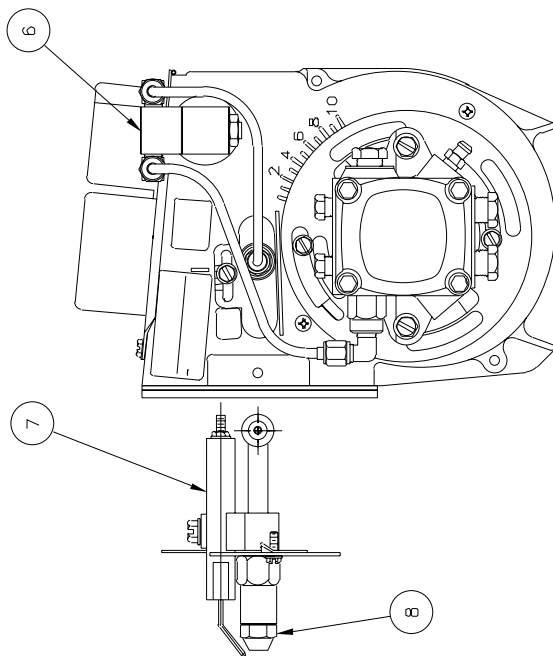
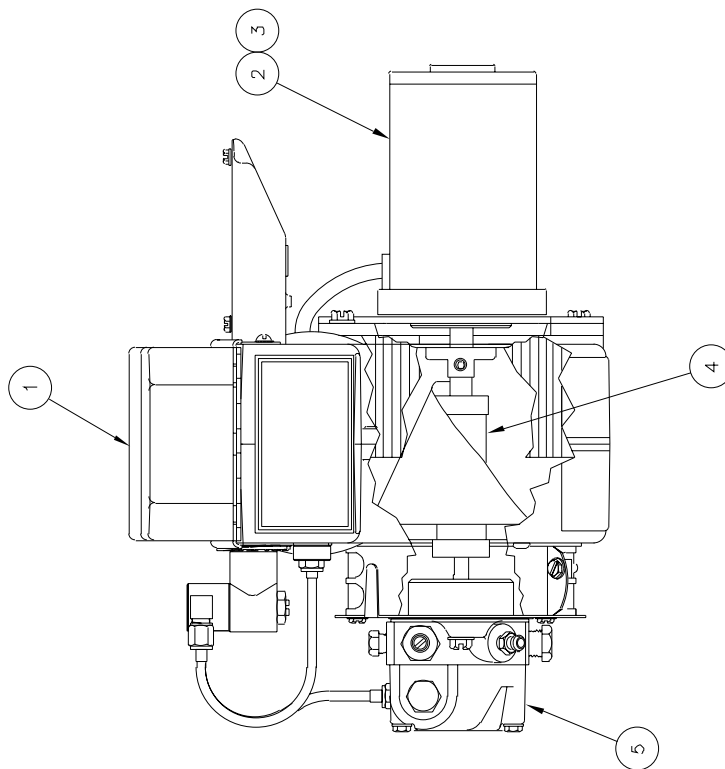
E-Z 400 D WITH AIR COMPRESSOR WITH PUMP/APPLICATOR PARTS LIST

NUMBER	PART NUMBER	QTY	DESCRIPTION
101	25286	1	CONTROL BOX ASSEMBLY
102	24140	1	INDICATOR LIGHT
103	26075	1	RUBBERGROMMET
104	25240	1	HIGH LIMIT MANUAL RESET PROBE
105	25276	1	550 ELECTRIC THERMOSTAT
106	25220	1	TEMPERATURE DIAL
107	28002	1	3/8 CLOSE NIPPLE
108	29202	1	3/8 BALL VALVE
109	40125	1	SPOUT ASSEMBLY
110	51405	2	1/2 CLOSE NIPPLE
111	29214	1	1/2 BROZE BALL VALVE
112	42643	1	1/2 AIR HOSE FITTING
113	42603	1	WATER SEPERATOR
114	42702	1	1/2 SWIVEL ADAPTER
115	28018	1	1/2 X 2 NIPPLE
116	28253	1	1/2 "T"
117	42617	1	AIR COMPRESSOR
118	42640	1	AIR HOSE WITH FITTINGS
119	24000	1	12 VOLT BATTERY
120	24002	1	BATTERY BOX
121	37038	1	BATTERY CABLE
122	24010	1	BATTERY CABLE - 12" BLOCK
123	24054	1	BATTERY CABLE - 20" RED
124	42656	1	HYDRAULIC OIL COOLER
125	42618	1	HYDRAULIC MOTOR MOUNT

E-Z 400 D WITH AIR COMPRESSOR WITH PUMP/APPLICATOR PARTS LIST

NUMBER	PART NUMBER	QTY	DESCRIPTION
126	42620	1	HYDRAULIC MOTOR
127	42625	1	35 MM COUPLING HALF
128	42627	1	1" COUPLING HALF
129	42626	1	COUPLING SLEEVE
130	42624	1	AIR RECEIVER
131	28024	1	1/4 X 2-1/2 NIPPLE
132	51401	1	1/4 HX. NIPPLE
133	42621	1	PRESSURE CONTROL
134	42629	1	SAFETY VALVE
135	28262	1	1/4 CROSS
136	42663	1	12 V. SOLENOID VALVE
137	42633	1	SOLENOID BRACKET
138	41893	1	BURNER COVER
139	42519	2	TUBE ASSEMBLY

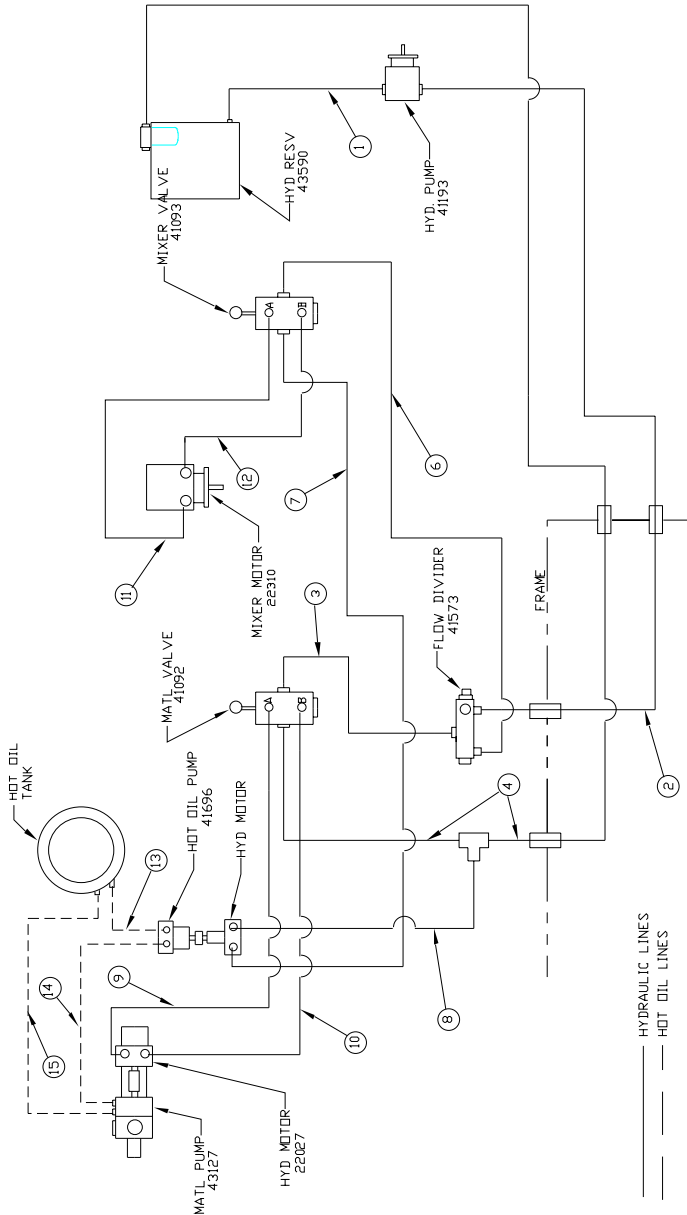
DIESEL BURNER



DIESEL BURNER

ITEM	PART NUMBER	QTY	DESCRIPTION
1	41949	-	IGNITION TRANSFORMER
2	41890	-	BLOWER MOTOR
3	41934	-	BRUSH KIT - MOTOR
4	41970	-	COUPLING - FUEL PUMP
5	41979	-	PUMP - FUEL
6	41888	-	SOLENOID - FUEL
7	41993	-	ELECTRODE
8	41883	-	NOZZLE
9	41870	-	CAD EYE
10	42335	-	DC CONTROLLER

HYDRAULIC PIPING DIAGRAM E-Z 400 D WITH COMPRESSOR WITH PUMP/APPLICATOR



**HYDRAULIC PIPING DIAGRAM
E-Z 400 D WITH COMPRESSOR WITH PUMP APPLICATOR**

1. HYD. RESERVOIR TO HYD. PUMP (SUCTION)		
1	29930	STRAIGHT ADAPTOR
1	C20-20FJ-20FJ-30	HYD. HOSE ASS'Y. 1-1/4 X 30" LG.
1	29885	STRAIGHT ADAPTOR - "O" RING
2. HYD. PUMP TO FLOW DIVIDER VALVE ("IN" PORT)		
1	29862	ELBOW 90 DEGREE "O" RING
1	AX8-10FJ-10FJ-57	HYD. HOSE ASSY. 1/2 X 57" LG.
1	29805	BULKHEAD CONNECTOR
1	29807	LOCKNUT
1	42519	TUBE ASSY.
1	29805	BULKHEAD CONNECTOR
1	29807	LOCKNUT
1	29815	PIPE SWIVEL CONNECTOR
1	28348	3/4 X 1/2 REDUCING BUSHING
3. FLOW DIVIDER VALVE ("PB" PORT) TO MATERIAL VALVE ("IN" PORT)		
1	28348	3/4 X 1/2 REDUCER BUSHING
1	29876	90° ELBOW ADAPTOR
1	AX6-6FJ-6FJ-18	HYD. HOSE ASSY. 3/8 X 18" LG.
1	29876	90° ELBOW ADAPTOR
1	28348	3/4 X 1/2 REDUCER BUSHING
4. MATERIAL VALVE ("OUT" PORT) TO HYD. FILTER (RETURN) HYD. RESERVOIR		
1	29813	90° ELBOW ADAPTOR
1	AX8-10FJ-10FJ-19	HYD. HOSE ASSY. 1/2 X 19" LG.
1	29811	SWIVEL RUN TEE
1	29805	BULKHEAD CONNECTOR
1	29807	LOCKNUT
1	42519	TUBE ASSY.
1	29805	BULKHEAD CONNECTOR
1	29807	LOCKNUT
1	AX8-10FJ-10FJ-93	HYD. HOSE ASSY. 1/2 X 93.0" LG.
1	29862	ELBOW ADAPTOR - "O" RING
REF.	-	HYD. OIL COOLER
1	29812	STRAIGHT ADAPTER
1	AX8-10FJ-10FJ-73	HYD. HOSE ASSY. 1/2 X 73" LG.
5. FLOW DIVIDER ("REG" PORT) TO MIXER VALVE ("IN" PORT)		
1	28347	3/4 X 3/8 REDUCING BUSHING
1	29872	90° ELBOW ADAPTOR
1	AX6-6FJ-6FJ-18	HYD. HOSE ASSY. 3/8 X 18" LG.
1	29872	90° ELBOW ADAPTOR
1	28347	3/4 X 3/8 REDUCING BUSHING

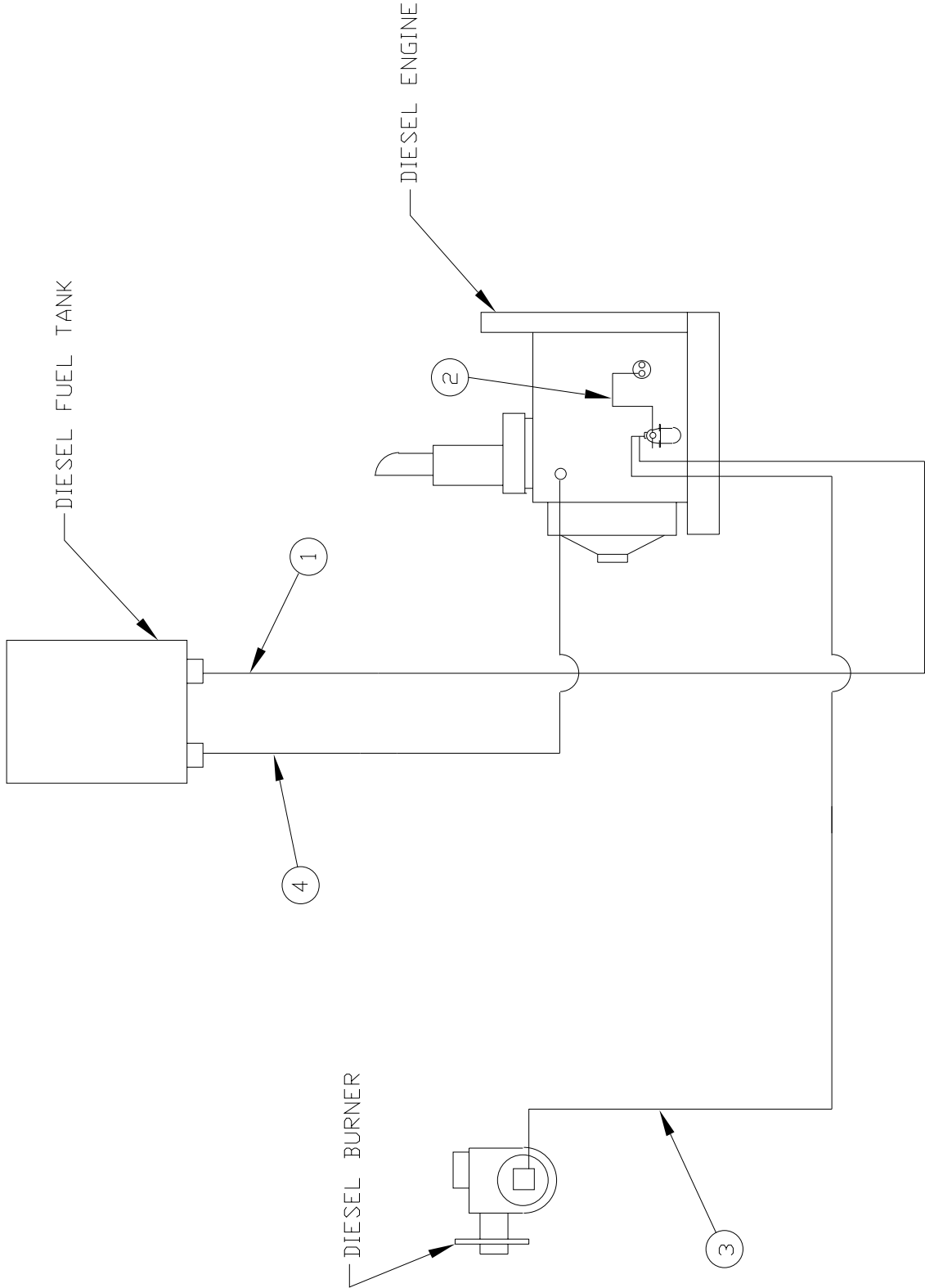
**HYDRAULIC PIPING DIAGRAM
E-Z 400 D WITH COMPRESSOR WITH PUMP APPLICATOR**

6. MIXER VALVE ("OUT" PORT) TO HYD. MOTOR FOR HOT OIL PUMP (REAR PORT)		
1	28347	3/4 X 3/8 REDUCING BUSHING
1	29872	90 DEGREE ELBOW ADAPTOR
1	AX6-6FJ-6FJ-18	HYD. HOSE ASS'Y. 3/8 X 18" LG.
1	40311	STRAIGHT ADAPTOR - "O" RING
7. HYD. MOTOR FOR HOT OIL PUMP (FRONT PORT) TO TEE IN LINE 4		
1	40311	STRAIGHT ADAPTOR - "O" RING
1	AX6-6FJ-6FJ-18	HYD. HOSE ASS'Y. 3/8 X 18" LG.
1	29809	REDUCER 5/8 TO 3/8 TUBE
1	29810	TUBE NUT
8. MATERIAL VALVE ("A" PORT) TO HYD. MOTOR FOR MATERIAL PUMP ("BOTTOM" PORT)		
1	29876	ELBOW 90 DEGREE
1	AX6-6FJ-6FJ-24	HYD. HOSE ASS'Y. 3/8 X 24" LG.
1	22029	STRAIGHT ADAPTOR
9. MATERIAL VALVE ("B" PORT) TO HYD. MOTOR FOR MATERIAL PUMP ("TOP" PORT)		
1	29876	ELBOW 90 DEGREE
1	AX6-6FJ-6FJ-24	HYD. HOSE ASS'Y. 3/8 X 24" LG.
1	22029	STRAIGHT ADAPTOR
10. MIXER VALVE ("A" PORT) TO HYD. MOTOR FOR MIXER (L.H. PORT) B.) MIXER HOSES ARE CROSSED FROM SHOWN ON EZ 350.		
1	29841	STRAIGHT ADAPTOR
1	AX6-6FJ-6FJ-24	HYD. HOSE ASS'Y. 3/8 X 24" LG.
1	29808	TUBE UNION
1	41155	TUBE ASS'Y. L.H.
1	22029	STRAIGHT ADAPTOR
11. MIXER VALVE ("B" PORT) TO HYD. MOTOR FOR MIXER (R.H. PORT) B.) MIXER HOSES ARE CROSSED FROM SHOWN ON EZ 350.		
1	29841	STRAIGHT ADAPTOR
1	AX6-6FJ-6FJ-24	HYD. HOSE ASS'Y. 3/8 X 24" LG.
1	29808	TUBE UNION
1	41156	TUBE ASS'Y. R.H.
1	22029	STRAIGHT ADAPTOR
12. HYD. PUMP TO SOLENOID VALVE ("IN" PORT)		
1	29868	ELBOW ADAPTOR
1	AX8-8FJ-8FJ9-26	HOSE ASSY. 1/2 X 26" LG.
1	29897	STRAIGHT ADAPTOR
13. SOLENOID VALVE RETURN PORT TO TEE IN LINE		
1	29896	ELBOW ADAPTOR
1	AX8-8FJ-8FJ-48	1/2" HOSE ASSY. 1/2 X 48" LG.

**HYDRAULIC PIPING DIAGRAM
E-Z 400 D WITH COMPRESSOR WITH PUMP/APPLICATOR**

14. SOLENOID VALVE ("OUT" PORT) TO HYD. MOTOR FOR COMPRESSOR (R.H. PORT)		
1	29896	ELBOW ADAPTOR
1	AX8-10FJ9-8FJ-34	HOSE ASSY. 1/2 X 3/4" LG.
1	29821	STRAIGHT ADAPTOR - "O" RING
15. HYD. MOTOR FOR COMPRESSOR (L.H. PORT) TO HYD. RESERVOIR		
1	29821	STRAIGHT ADAPTOR - "O" RING
1	AX8-10FJ9-8FJ-34	HOSE ASSY. 1/2 X 3/4" LG.
1	29886	MALE RUN TEE
HOT OIL PIPING		
16. HOT OIL TANK (R.H. PORT) TO HOT OIL PUMP (FRONT PORT) - SUCTION		
1	28178	1/2 PIPE COUPLING
1	29844	STRAIGHT ADAPTOR
1	41060	TUBE ASSY.
1	29844	STRAIGHT ADAPTOR
17. HOT OIL PUMP (REAR PORT) TO MATERIAL PUMP (TOP PORT)		
1	29844	STRAIGHT ADAPTOR
1	41061	TUBE ASSY.
1	40316	STRAIGHT ADAPTOR
18. MATERIAL PUMP (TOP PORT) TO HOT OIL TANK (L.H. PORT)		
1	40316	STRAIGHT ADAPTOR
1	41062	TUBE ASSY.
1	29844	STRAIGHT ADAPTOR
1	28178	1/2 PIPE COUPLING

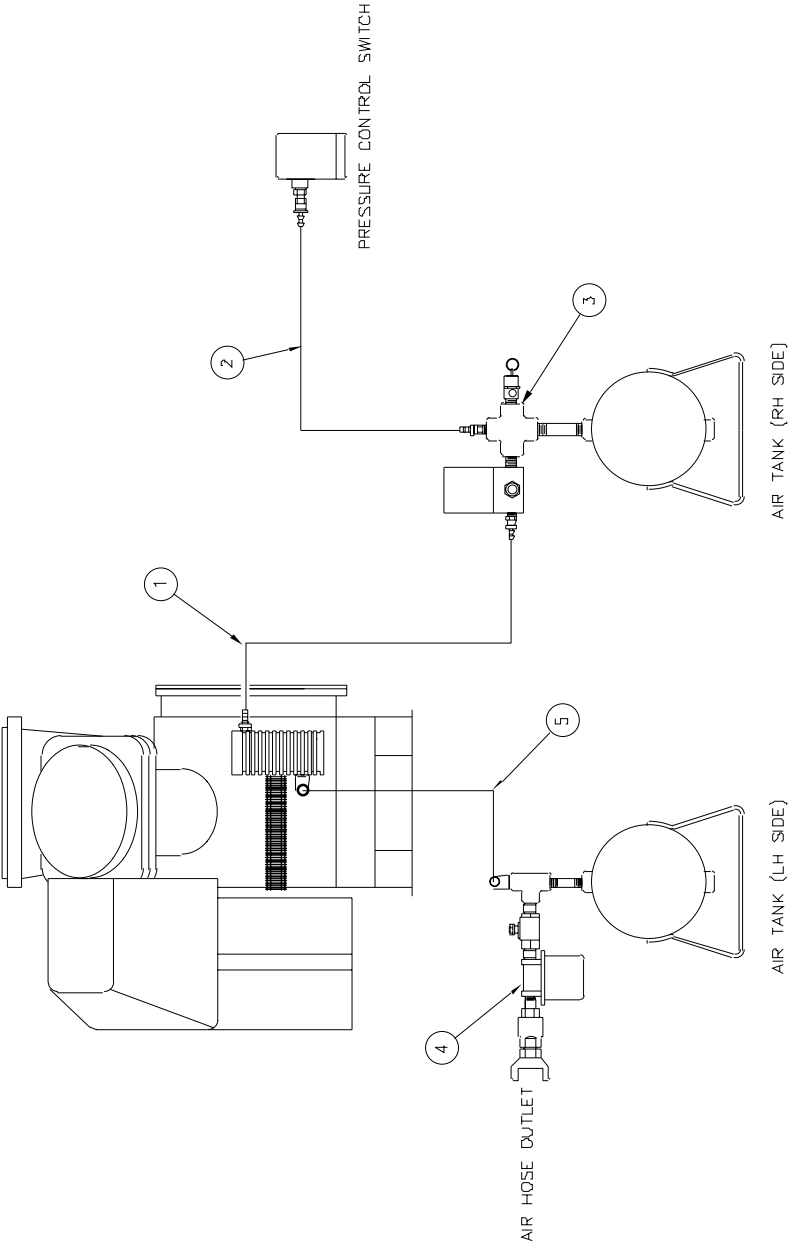
**DIESEL PIPING DIAGRAM
E-Z 400 DIESEL MELTER WITH COMPRESSOR WITH PUMP/APPLICATOR**



**DIESEL PIPING - E-Z POUR 400 DIESEL MELTER
WITH COMPRESSOR WITH PUMP APPLICATOR**

1. DIESEL FUEL TANK TO DIESEL FUEL FILTER		
1	26782	ELBOW ADAPTER
1	26767	SWIVEL PUSH ON FITTING
1	29590	FUEL HOSE 5/16 X 95" LONG
2	26080	GEAR CLAMP
2. FUEL FILTER TO DIESEL BURNER		
1	29591	FUEL HOSE 5/16" X 80" LG.
2	26080	GEAR CLAMP
1	26767	SWIVEL PUSH ON FITTING
1	26782	ELBOW ADAPTOR
3. DIESEL ENGINE TO FUEL TANK (RETURN)		
1	29592	FUEL HOSE 3/16 X 80" LG.
2	26080	GEAR CLAMP
1	29831	SWIVEL PUSH ON
1	29870	ELBOW ADAPTOR
4. DIESEL FUEL TANK DRAIN		
1	28018	1/2 X 2" NIPPLE
1	29213	1/2 BRASS GATE VALVE
1	28283	1/2 PIPE PLUG

AIR PIPING DIAGRAM E-Z 400 DIESEL MELTER WITH COMPRESSOR WITH PUMP/APPLICATOR



AIR PIPING DIAGRAM
E-Z 400 DIESEL MELTER WITH COMPRESSOR WITH PUMP/APPLICATOR

1. AIR COMPRESSOR TO PRESSURE CONTROL SOLENOID		
1	26750	STRAIGHT FITTING - PUSH ON
1	29586	#4 PUSH-ON HOSE 24" LONG
1	26761	FEMALE SWIVEL - PUSH ON
1	29836	STRAIGHT ADAPTOR
2. AIR TANK TO PRESSURE CONTROL SWITCH		
1	26750	MALE #4 HOSE FITTING
1	29586	#4 PUSH-ON HOSE - 24" LONG
1	26761	FEMALE SWIVEL - PUSH ON
1	29836	STRAIGHT ADAPTOR
1	42621	PRESSURE CONTROL SWITCH
3. AIR RECEIVER - SMALL OUTLET		
1	28024	1/4 X 2-1/2 NIPPLE
1	28262	1/4 PIPE CROSS
1	28001	1/4 CLOSE NIPPLE
1	42625	SAFETY VALVE
1	50009	1/4 MUFFLER
1	43736	SOLENOID AIR VALVE
4. AIR TANK DISCHARGE LINE		
1	28018	PIPE NIPPLE - 1/2 X 2" LONG
1	28253	1/2 PIPE TEE
1	51405	1/2 HX. NIPPLE
1	29214	1/2 BRONZE BALL VALVE
1	42603	WATER SEPERATOR
1	42702	1/2 SWIVEL - MALE/FEMALE
1	42643	1/2 FITTING (AIR HOSE)
1	42640	AIR HOSE W/FITTINGS
5. AIR RECEIVER TO AIR COMPRESSOR		
1	29845	ELBOW ADAPTOR
1	41404	METAL HOSE ASSY. - 1/2 X 22" LONG
1	29845	ELBOW ADAPTOR

**Pioneering Leadership and
Innovation in Quality
Pavement Maintenance
Materials.**

CRAFCOTM INC
AN ERGON[®] COMPANY

**235 South Hibbert • Mesa, Arizona 85210
480-655-8333 • Watts 1-800-528-8242
Fax 480-655-1712**

© Copyright 2001 by Crafc0, Inc.