



SUPER SHOT 60 DIESEL MELTER

PARTS MANUAL – 26618
Revision 0

Revised: 06/13

SUPER SHOT 60 DIESEL MELTER



TABLE OF CONTENTS

Super Shot 60 Diesel Melter	5
Safety Precautions	6-7
Limited Warranty	7
Warranty Claim Instructions	8
Specification	9
Introduction	10

Operating Instructions

Machine Start Up	11-12
Dispensing the Material/Active Pump Protection	13
Loading The Machine/Shutdown and Clean-out Procedures/Storing Machine	14
Instructions For Ordering Parts/Electric Hose Care and Cautions	15
Hose Transport Instructions	16

Maintenance

Maintenance Instructions	17
Maintenance Chart/Service Instructions	18
Recommended Fluids and Lubricants/Typical Specifications	19
Super Shot Pump Replacement	20
Super Shot Pump Replacement Diagram	21

Trouble Shooting

Trouble Shooting Guide - Hose Does Not Heat	22
Hose Circuit Diagram	23
Trouble Shooting Guide - Hose Does Not Heat (continued)	24
Trouble Shooting Guide - Material Does Not Dispense	24
Hose Circuit Diagram	25
Trouble Shooting Guide - Material Does Not Dispense	26
Trouble Shooting Guide - Pump Rotates but No Material Is Discharged	26
Trouble Shooting Guide - Material Dispensing Rate Too Slow	26
Hose Circuit Diagram	27
RTD Sensor - Ohms vs. Temperature	28
Diesel Burner Adjustments/Diesel Burner Settings	29
Burner Schematic	30
Burner Trouble Shooting	31
Hydraulic Schematic	32
Trouble Shooting Hydraulics	33

Parts

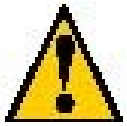
SS60 Diesel Melter Diagrams and Parts	34-39
Tank Detail Diagram and Parts	40-41
Control Box Diagram and Parts	42-43
Engine Assembly Diagram and Parts	44-45
Hydraulic Control Valve Diagram and Parts	46
Pump/Agitator Motor Assembly Diagram and Parts	47
Diesel Burner Diagram and Parts	48-49
Hydraulic Diagram and Parts	50-51
Electrical Cables and Parts	52-53

SUPER SHOT 60D DIESEL MELTER

This manual is furnished with each new CRAFCO SUPER SHOT 60 DIESEL MELTER. This manual will help your machine operators learn to run the melter applicator properly and understand its mechanical functions for trouble-free operation.

Your CRAFCO SUPER SHOT 60 DIESEL MELTER is designed to give excellent service and save maintenance expense. However, as with all specially engineered equipment, you can get best results at minimum costs if:

1. You operate your machine as instructed in this manual.
2. Maintain your machine regularly as stated in this manual.



WARNING: The engine exhaust from this product contains chemicals known to the State of California to cause cancer, birth defects or other reproductive harm. Operate in well ventilated area only. Engine exhaust is deadly.



SAFETY PRECAUTIONS

- High operating temperatures of sealant and machine require protective clothing, hard-soled shoes and heat resistant gloves to be worn by operator.



- Always wear eye protection.
- Observe all **CAUTION AND WARNING** signs posted on machine.



- Avoid the entrance of water into any part of the machine. Water will displace heat transfer oil or sealant, which could be hazardous to personnel surrounding the machine when it reaches operating temperatures.
- Avoid bodily contact with hot sealant material or heat transfer oil, serious burns may result.
- Read Operator Manual thoroughly before operating machine.
- Make sure operator is familiar with machine operation.
- Do not operate in closed building or confined areas.
- Shut-down burner and engine prior to refilling diesel tank.
- When adding solid material to sealant tank, stop mixer, lift lid, place material onto lid and close lid before restarting mixer. Hot material could splash and cause serious burns if this procedure is not followed.
- Keep hands, feet, and clothing away from all moving parts.
- Always keep a fire extinguisher near the unit. Maintain extinguisher properly and be familiar with its use.

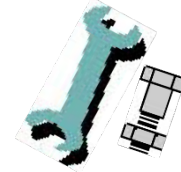
- **DO NOT** exceed 525° F (274⁰C) for heat transfer oil temperature.



- **DO NOT** overfill heat transfer oil level. Expansion of oil during heat up could cause overflow. With machine in level position, check oil each day before starting burner, add oil to top mark on dipstick if required (at 70° F.). **Use only recommended heat transfer oil and change after 500 hours of operation or one year, whichever occurs first.**
- Follow operating instructions for starting and shut-down of burner. See Operating

Instructions.

- Calibrate temperature control prior to initial operation and each 50 hours of operation. See Temperature Control Calibration.
- Replace any hoses which show signs of wear, fraying, or splitting. Be sure all fittings and joints are tight and leak-proof, each time machine is used.
- Precaution is the best insurance against accidents.
- The melter should not be left unattended with burner lit.
- Tighten all bolts and screws after every 100 hours of operation.
- Crafco, Inc. assumes no liability for an accident or injury incurred through improper use of the machine.



LIMITED WARRANTY

Crafco, Inc., through its authorized distributor, will replace for the original purchaser free of charge any parts found upon examination by the factory at Chandler, Arizona, to be defective in material or workmanship. This warranty is for a period within 60 days of purchase date, but excludes engine or components, tires, and battery as these items are subject to warranties issued by their manufacturers.

After 60 days, Crafco, Inc., warrants structural parts, excluding heating system, hydraulic components, material pump and hoses, hot oil pump, applicator valves, and electrical components for a period of (1) one year from date of delivery. Crafco, Inc., shall not be liable for parts that have been damaged by accident, alteration, abuse, improper lubrication/maintenance, normal wear, or other cause beyond our control.

The warranty provided herein extends only to the repair and/or replacement of those components on the equipment covered above and does not cover **labor** costs. The warranty does not extend to incidental or consequential damages incurred as a result of any defect covered by this warranty.

All transportation and labor costs incurred by the purchaser in submitting or repairing covered components must be borne by the purchaser.

Crafco, Inc. specifically disavows any other representation, warranty, or liability related to the condition or use of the product.



WARNING: Use of replacement parts other than genuine Crafco parts may impair the safety or reliability of your equipment and nullifies any warranty.

WARRANTY CLAIM INSTRUCTIONS

Please follow the instructions stated below when calling in a warranty claim. Failure to follow these procedures may be cause to void the warranty.

1. Call your local CrafcO Distributor. If you do not know who your local distributor is, call a CrafcO Customer Service Representative, (Toll Free 1-800-528-8242) for name, location, and telephone number.
2. On contacting the distributor, be prepared to identify the machine type, model number, and serial number, also, the date of purchase if available.
3. Should the cause of the malfunction be a defective part, the distributor will advise you of the procedure to follow for a replacement.
4. The warranty is valid only for parts, which have been supplied or recommended by CrafcO, Inc.

If you have any additional questions regarding warranty repairs and parts, please do not hesitate to call toll free 1-800-528-8242.

CRAFCO, INCORPORATED
25527 S. Arizona Ave.
Chandler, AZ 85248
480-655-8333
Toll Free 1-800-528-8242

SPECIFICATIONS

Vat Capacity	220 Liters
Melt Capacity.....	180 Liters/Hour Heat
Transfer Oil Required	83 Liters at 21°C. Tank
Construction	Double Boiler Type Tank
Opening Size	312 MM x 381 MM
Maximum Heat Input	2.17 x 10 ⁸ Joules (205,000 BTU's)
Burner and Temperature Control	Diesel-Forced Air Thermostatic Control
Engine - Yanmar.3Tnv70 diesel.....	Twin Cylinder 12.5KW @ 2,600 RPM
Hydraulic Drive Mechanism.....	All hydraulic with infinite speed on mixer and material pump
Mixer	Full sweep mixer with two horizontal paddles vertical risers.
Dry Weight	Approximately 1,300 Kg. (2,800 Lbs).
Diesel Tank Capacity	98.4 Liters (26 Gallons)
Hydraulic Tank Capacity.....	98.4 Liters (26 Gallons)

SUPER SHOT 60 DIESEL MELTER OPERATING INSTRUCTIONS

INTRODUCTION

The **CRAFCO SUPER SHOT 60 MELTER** was developed to melt Crafcoc brand sealant. However, it will work well with most road asphalt and federal specification crack or joint sealant.

DO NOT operate machine without following these instructions:

1. Fill fuel tank with diesel fuel (use #1 in cold weather, #2 in warm weather).
2. Check engine crankcase oil level (refer to Engine Operator's Manual).
3. Check hydraulic fluid level, at 70°F. Add fluid if necessary.
4. Check heat transfer oil level, at 70°F., the oil should be at the full mark on the dipstick. **DO NOT** overfill or spillage may occur when oil is heated and expands.
5. The “**POWER**” switch should be turned “**OFF**” and all three temperature control dials at minimum settings.
6. Remember that safe operation of this equipment is the operator's responsibility.



CAUTION:

Extreme care must be used when operating this equipment. Safety is the result of being careful and paying attention to details. Remember the diesel flame is about 2,200°F. Certain exposed parts of this machine when operating reach 500°F.; the sealant as high as 400°F. and the hydraulic fluid may reach 200°F. Always wear protective clothing, hard-soled shoes, and eye protection. Be sure that all joints and fittings are tight and leak proof. Immediately replace any hose which shows any signs of wear, fraying, or splitting. Tighten all bolts, nuts, and screws every 250 hours.

MACHINE START UP

TO START BURNER

1. Fully open the damper vent.
2. Start engine per Engine Manual.
3. Turn "POWER" toggle switch at control box "ON".
4. Set hot oil temperature at 500°F. and material temperature at manufacturers recommended temperature.



CAUTION:

If burner does not ignite the first time, turn toggle switch to "OFF." Turn toggle switch to "ON" again. Burner should ignite. If burner still does not ignite, determine cause of malfunction (see Trouble Shooting Guide Pg. 22-26).

- NOTE:** The solid material in the tank melts first around the walls and bottom of the material tank. Material temperature sensor is located by the wall; therefore, it is possible that at the beginning of the melting process the indicated temperature reaches operating value, but the material closer to the center of the tank is still solid. This is normal and when the heated hose is ready for operation, most of the material in the tank will be melted and heated to application temperature.
5. Allow the heating oil to continue to heat. When sealant material reaches 275° F. mixer may be engaged by turning the toggle switch at hydraulic control panel "ON". If the mixer does not move, allow the material to heat longer. Jamming of mixer causes hydraulic oil to overheat and machine damage could occur. **NOTE: Mixer speed is preset at the factory and cannot be adjusted. Mixer cannot be engaged until material reaches 275° F.**
 6. Hose will automatically turn "ON" when material temperature reaches approximately 275° F. See Operating Instructions. Adjust the temperature dial to 380° F. or manufacturers recommended temperature. The hose will come up to temperature in approximately 30 minutes. After the hose is hot, the light in the control box marked "heated hose" will turn off and the temperature may be reduced to approximately 360° F. It is advisable to run the hose at the recommended temperature setting.

NOTE!! The hose must be up to 325° F. before dispensing can take place. If hose does not dispense when trigger is activated then allow material to heat longer. If hose still does not dispense material then shut machine down and locate plug in the line and remove.

IMPORTANT!! DO NOT twist or kink hose. Avoid sharp bends and continuous twisting. **DO NOT** exceed 400° F. setting on hose controller!! **DO NOT** move or bend hose when cold Damage may result. Once you reach operating temperatures **DO NOT** leave hose cycling for longer than 30 minutes without dispensing material. Coking will occur and permanently damage your hose.

MACHINE START UP

IT IS STRONGLY RECOMMENDED THAT THE HOSE BE STORED IN THE CORRECT LOCKED POSITION WHEN NOT IN USE OR WHEN IN TRANSIT.

7. The heated hose supplied with the machine is Teflon lined with steel over braid. It has a heating element, which runs down the hose to heat the material within the hose. The hose is covered with high temperature, durable rubber hose. The wand has an aluminum tube to protect both the wand and the operator. The pistol grip actuator is equipped with an electric switch which when depressed sends a signal to actuate the pump. At the end of the wand, a high temperature elastomeric output valve is attached. The valve is pressure actuated and opens automatically when fluid pressure is applied. The wand is equipped with a trigger lock to prevent accidental pump actuation when not pumping material. The trigger should be in the “**LOCKED**” position at all times except when intentionally pumping material.



DISPENSING THE MATERIAL



NOTE: PROTECTIVE CLOTHING, GLOVES, HARD SOLED SHOES, AND FACE SHIELD OR SAFETY GLASSES SHOULD BE WORN WHEN OPERATING OR FILLING THIS EQUIPMENT. READ ENTIRE MANUAL BEFORE OPERATING.

The wand is equipped with a disposable duckbill valve on the end, which shuts off the flow of material when the pump is turned off and prevents excessive dripping of material. This valve also directs the material into a stream for easy application into the crack. Other sealing tips are available. See your local distributor for options.

Some difficulty may be encountered when starting up on cold days. Although the wand is designed to heat the material all the way down to the tip, on cold days it may be necessary to place the tip of the wand under the lid to facilitate material melting in the valve. Insert the wand tip for only a short time before proceeding.

When the material and the hose have reached proper application temperature, you are ready to dispense material. Turn the pump speed control to the lowest setting by turning the speed control knob fully counter clockwise. With the wand tip inserted into the top of the melter, depress trigger on the wand and slowly increase pump speed by turning the speed control knob clockwise until the pump motor starts to turn. Material should start to flow from the tip of the duckbill valve. Adjust the pump speed for the desired rate of flow for the application and dispense material as required. The rate of flow may be varied while the pump is running by rotating the control knob.



NEVER POINT THE WAND AT ANY PART OF THE BODY OR AT ANY OTHER PERSON. HOT MATERIALS CAN CAUSE SEVERE BURNS. WEAR PROTECTIVE EQUIPMENT WHEN FILLING OR OPERATING THE EQUIPMENT. READ MANUAL BEFORE OPERATING EQUIPMENT.



ACTIVE PUMP PROTECTION

The pump is completely encircled by a protective screen. The screen shall not allow anything larger than 1/2" (1.27 cm) in size to pass from the sealant tank into the pump suction port. The screen shall continuously rotate 360 around the pump whenever the sealant agitator is engaged. The active screen will protect the pump from foreign object damage and will self-clean as it rotates around the sealant pump and suction port.

LOADING THE MACHINE

When loading solid material into the sealant tank, the mixer will stop when the lid is lifted. To load, lift the lid, place the material on the lid and close lid. Following this procedure will prevent the hot material from splashing and causing serious burns to personnel.

The solid material must be added at intervals, which will allow the mixer to rotate without jamming. If blocks of material are fed in too quickly, jamming will result and slow down the melting process.

SHUTDOWN AND CLEAN-OUT PROCEDURE

When shutting down the machine for the day, there are several schools of thought about how much material to leave in the machine. CrafcO recommends leaving the melter about half full. This will give a fairly rapid heat up rate in the morning, but will allow enough material to start dispensing right away when the material becomes molten.

1. Leaving the hose in the boom, swing the boom clockwise towards the front of the machine and lock the boom into position with the latch provided.
2. Place the wand in the wand holder and lock the wand into position with the latch provided.
3. Reverse the pump for approximately 30 seconds.
4. Turn the mixer toggle switch to **“OFF”**.
5. Turn the **“POWER”** switch to **“OFF”**.
6. Stop the engine by turning the key to the **“OFF”** position.

STORING MACHINE

The melter should be stored in an area where moisture cannot enter the machine heating system such as hot oil, controls, etc. Extended down time can cause moisture build up in heating oil tank.

If there is any suspicion that moisture may have collected in heat transfer oil, warm heat transfer fluid to 300° F. for 2 to 3 hours to evaporate the moisture.

INSTRUCTIONS FOR ORDERING PARTS

Parts may be ordered from your local CRAFCO Distributor or directly from CRAFCO, Inc. if a distributor is not available in your area. When ordering parts, give the following information:

1. Part number.
2. Machine model.
3. Serial number.

Write, telephone, or fax:

CRAFCO, INCORPORATED
420 N. Roosevelt Ave.
Chandler, Az. 85226-2601
Phone: 602-276-0406
Fax: 480-961-0513
Toll Free: 1-800-528-8242



ELECTRIC HOSE CARE AND CAUTIONS



Twisting and kinking of the electric hose (used on LF, BAX, SS60, SS125, and SS250 Melter) is the number one cause of hose failure.

When this happens, the electric heating wires are shorted out to the metal hose cover and the hose stops heating.

This type of failure is not covered under the CrafcO warranty.

To help prevent twisting and kinking and the resulting hose damage, the operator should:

- a. Not move or use hose unless it has been turned on at least 30 minutes and set at a minimum temperature of 300° F.
- b. Make sure hose swivel between hose and wand moves freely.
- c. Avoid bending the hose over sharp edges such as the edge of the frame or tank.
- d. Avoid twisting.
- e. Do not exceed 400° F. on the hose or material temperature.
- f. Follow all instructions of the melter as well as those in the instruction manual.

HOSE TRANSPORT INSTRUCTIONS

1. Leaving the hose in the boom, swing the boom clockwise towards the front of the machine and lock the boom into position with the latch provided.
2. Place the wand in the wand holder and lock the wand into position with the latch provided.

CAUTION:



Hose damage will occur if:

- a. Hose is bent or moved when cold.
- b. Hose is twisted or bent at sharp radius.
- c. Hose is moved prior to being turned on at least 35 minutes and set at 380° F.
- d. Operator crosses over or under hose causing hose to twist or wires between hose and wand connection to twist or wrap up.
- e. Swivel is cold and not free to move allowing hose to twist.
- f. Hose to wand wiring is pulled, stressed, or used to support the wand.

MAINTENANCE INSTRUCTIONS

ENGINE

See Engine Owner Manual for operating and maintenance instructions.



HYDRAULIC SYSTEM

Check hydraulic fluid daily. Change hydraulic filter every 250 hours of operation. Change hydraulic fluid every 500 hours of operation.

HEAT TRANSFER OIL

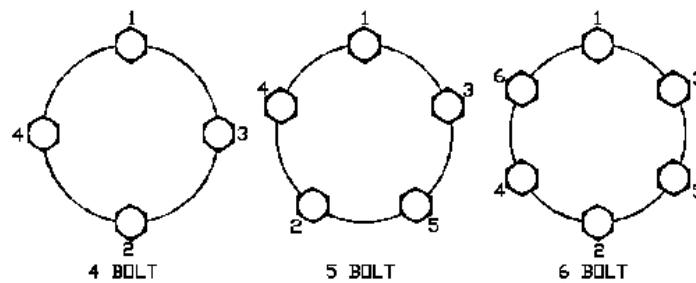
Check oil level every 8 hours of operation. Change oil every 500 hours of operation.

WHEEL BEARINGS

Re-pack wheel bearings every 24,000 miles or every two years, using a good grade of bearing grease.

LUG NUTS

Wheel nuts/bolts should be torqued before first road use and after each wheel removal. Check and torque after the first 10 miles, 25 miles, and again at 50 miles. Check periodically thereafter. Torque in stages. 1st stage 20-25 ft. lbs. 2nd stage 50-60 ft. lbs., 3rd stage 90-120 ft.lbs.



TIGHTENING SEQUENCE

BRAKES

Check brakes daily. Refer to DEXTER AXLE Operation Maintenance Service Manual located in the manual box.

TONGUE JACK

Lubricate tongue jack, using a good grade of bearing grease.

MIXER BEARING

Lubricate every 50 hours with good quality, high temperature grease.

TEMPERATURE CONTROL CALIBRATION

Check control knob calibration weekly.

1. Calibrate by aligning the line on the control knob with the calibration line on the scale plate (See Fig. 1).

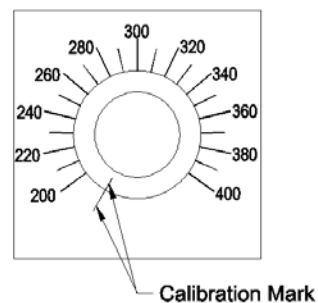


Fig. 1

MAINTENANCE CHART

		HOURS			
LOCATION	PROCEDURE	8	50	250	500
Engine check oil level	See Engine Instruction Manual.	X			
Other engine maintenance	See Engine Operating and Maintenance Instructions.				
Battery	Check water level weekly.				
Heat transfer oil	Check.	X			
Heat transfer oil	Change.				X
Hydraulic oil filter	Change.			X	
Hydraulic oil	Check oil.	X			
Hydraulic oil	Change oil.				X
Burner	Check burner box insulation.				X
	Clean cad cell.				X
	Check electrodes.				X
	Check blower brushes.				X
	Check nozzle pressure.				X
Wheel bearings	Clean & re-pack using a good grade of bearing grease.	Every 24,000 miles or every two years.			
Tongue jack	Grease, using good grade of bearing grease.	Once a year.			

SERVICE INSTRUCTIONS

1. Conduct a general inspection of your machine at least once a week. Replace all worn or damaged parts, make any necessary adjustments and tighten all loose nuts or screws.
2. Keep regular replacement items in stock for emergency repairs and to avoid costly "down" time.
3. Watch for leaks. Tighten fitting or repair as necessary.
4. Clean machine externally periodically. Check with sealant manufacturer for recommendation.
5. Follow recommended maintenance procedures on maintenance chart.

RECOMMENDED FLUIDS AND LUBRICANTS

APPLICATION	RECOMMENDED	FULL POINT
Engine oil	Refer to Isuzu owner's manual.	3 Qts.
Diesel	#1 Cold climate #2 Warm climate	24 Gals.
Hydraulic oil	Rondo HD-68 Texaco	24 Gals.
Heat transfer oil	Regal R&O 68	34 Gals.

The following is a list of suitable heat transfer oil to be used in CrafcO equipment.

PRODUCER	PRODUCT NAME	PRODUCT NUMBER
Texaco	Regal	R&O 68
Exxon	Caloria	HT 43
Arco	Rubilene	--
Citgo	Sentry	R&O 68
Gulf Oil Co.	Security	R&O 68
Shell Oil Co.	Therma	C
Chevron	Chevron Heat Transfer Oil	--
Conoco	Heat Transfer Oil	R&O 68

TYPICAL SPECIFICATIONS

ISO	68	Viscosity Index	95-100
Flash Point, COC	445° F.	Pour Point	0° F.
Viscosity @ 100° F.-SUS	325	Carbon Residue	1%
Viscosity @ 210° F.-SUS	50		



WARNING:

The heat transfer oil in this machine is a grade that has been tested and recommended by CrafcO, Inc. The addition of any grade of oil not specifically recommended by CrafcO, Inc., shall be cause for warranties to be voided.

All oils subjected to high temperatures deteriorate with time and lose many of their characteristics. Tests conducted by CrafcO, Inc. have determined that for best results and safety, the heat transfer oil in this machine must be drained and replaced with CrafcO, Inc. recommended oil after five hundred (500) hours of operation or one (1) year, whichever occurs first.

SUPER SHOT PUMP REPLACEMENT

Step 1

Bring melter up to temperature as preparation for draining the material tank. Remove pipe cap located at rear of machine and drain tank (**CAUTION!! EXTREMELY HOT MATERIAL**).



Step 2

Remove both guards from the motor mount to access the chain and sprockets.

Step 3

Rotate agitator until connecting link is accessible. Disassemble the connecting link and remove the drive chain.

Step 4

Loosen set screw in the lower coupling half between the hydraulic motor and the drive shaft.

Step 5

Remove the (4) hydraulic hoses and cap off all ports. Note: Mark hoses for ease of replacement.

Step 6

Remove the (4) bolts holding motor mount on top of melter. Lift off motor mounting and set aside.

Step 7

Remove (2) bolts holding agitator shaft bearing. Note: Do not remove bearing from agitator shaft.

Step 8

When unit has cooled sufficiently, remove (6) bolts holding paddles on top of screen. Remove paddles from tank.

Step 9

Remove pump drive shaft from center of agitator shaft then lift agitator shaft and screen assembly as high as possible and insert screw driver into shaft hole. This will support the assembly while removing the pump from the tank.

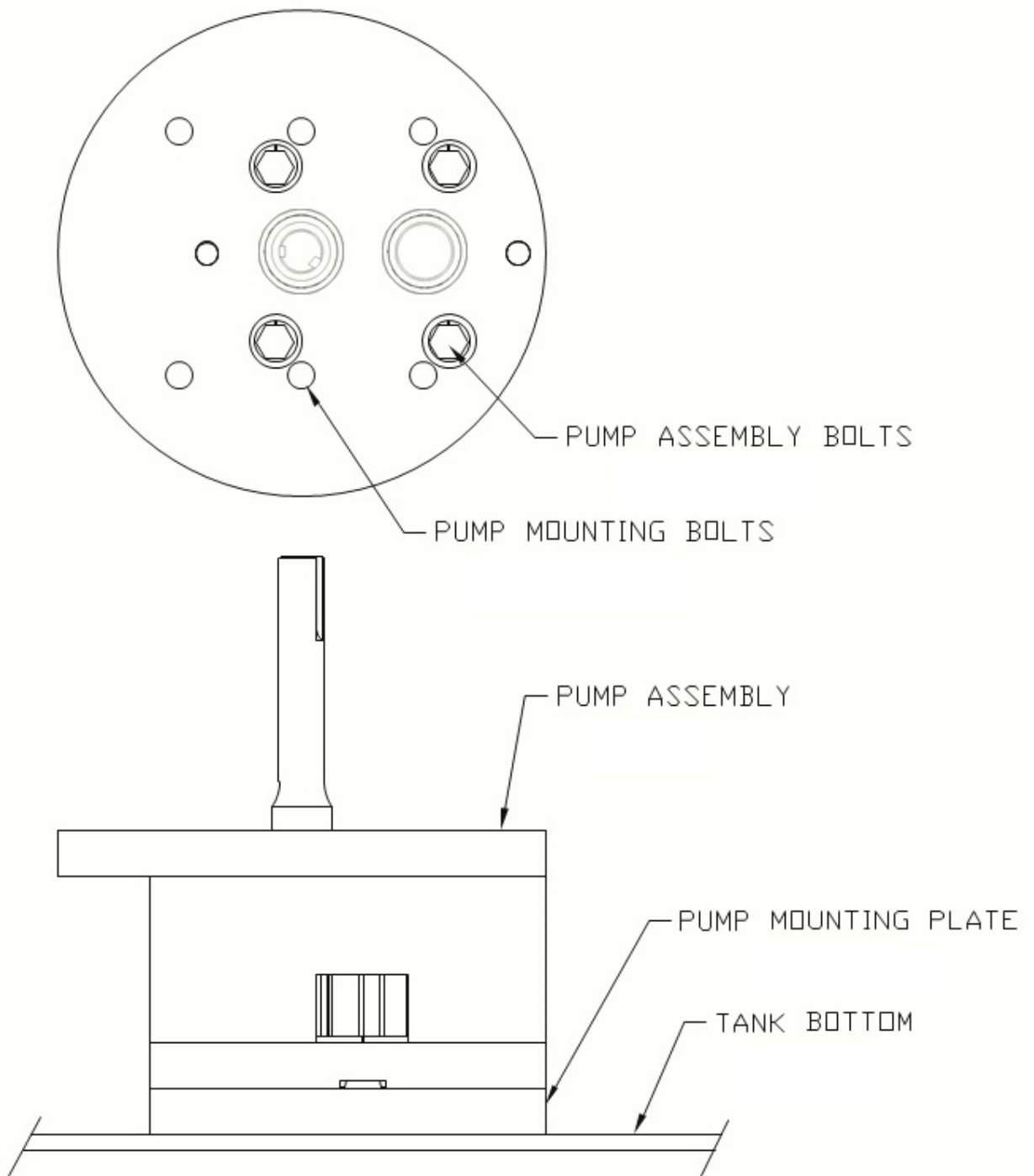
Step 10

Remove the (6) bolts, which fasten the pump to the tank. Lift the pump from the material tank (**CAUTION!! THE PUMP WEIGHS APPROXIMATELY 90LBS.**)

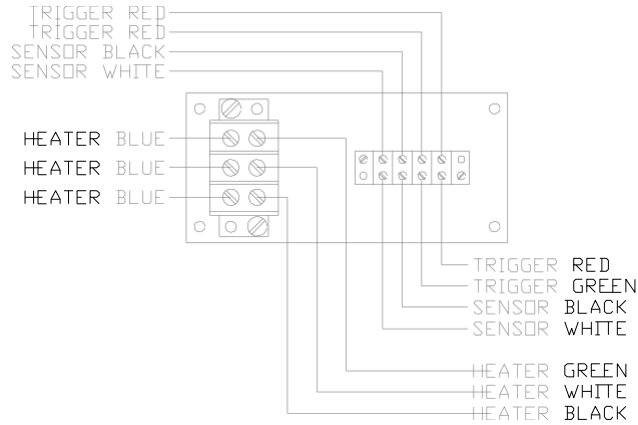
Step 10

IMPORTANT: Clean any sealant from top of pump mounting plate and clean-out shaft holes. (**WARNING!!! PREMATURE PUMP WEAR WILL OCCUR IF THIS IS NOT DONE.**)

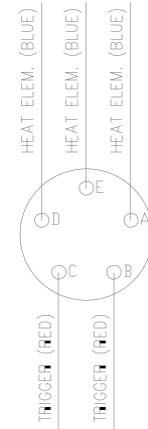
SUPER SHOT PUMP REPLACEMENT



TROUBLE SHOOTING GUIDE



KETTLE END



WAND END

HOSE DOES NOT HEAT

Step 1: Is the “MATERIAL” temperature at 275°F?

YES: Go to step 2.

NO: Turn “POWER” toggle switch “ON”.

Step 2: Is “HEATED HOSE” light illuminated?

YES: Go to step 3.

NO: Check for tripped circuit breaker in front panel.

YES: Reset circuit breaker.

NO: Remove front panel and check for 12 volts at pink wire terminal #2 of the material Pak-Stat.

YES: Go to step 2a.

NO: Check for 12 volts at pink wire terminal #9 of the hose Pak-Stat.

Step 2a: Check for 12 volts at #3 terminal (pink wire) on the hose Pak-Stat.

YES: Go to step 2b.

NO: Check wire connections or go to step 1.

Step 2b: Check for 12 volts at #4 terminal (blue wire) when Pak-Stat is on.

YES: Go to step 3.

NO: Check the ohms between black and white wires at terminals #6 and #7.

(NOTE: One of the sensor wires must be disconnected to check resistance) See page 28 for the corresponding temperature reading.

Temperature reading should match LCD readout.

YES: Replace Pak-Stat.

NO: Replace hose.

Step 3: Check for 12 volts at “BATT” terminal on generator.

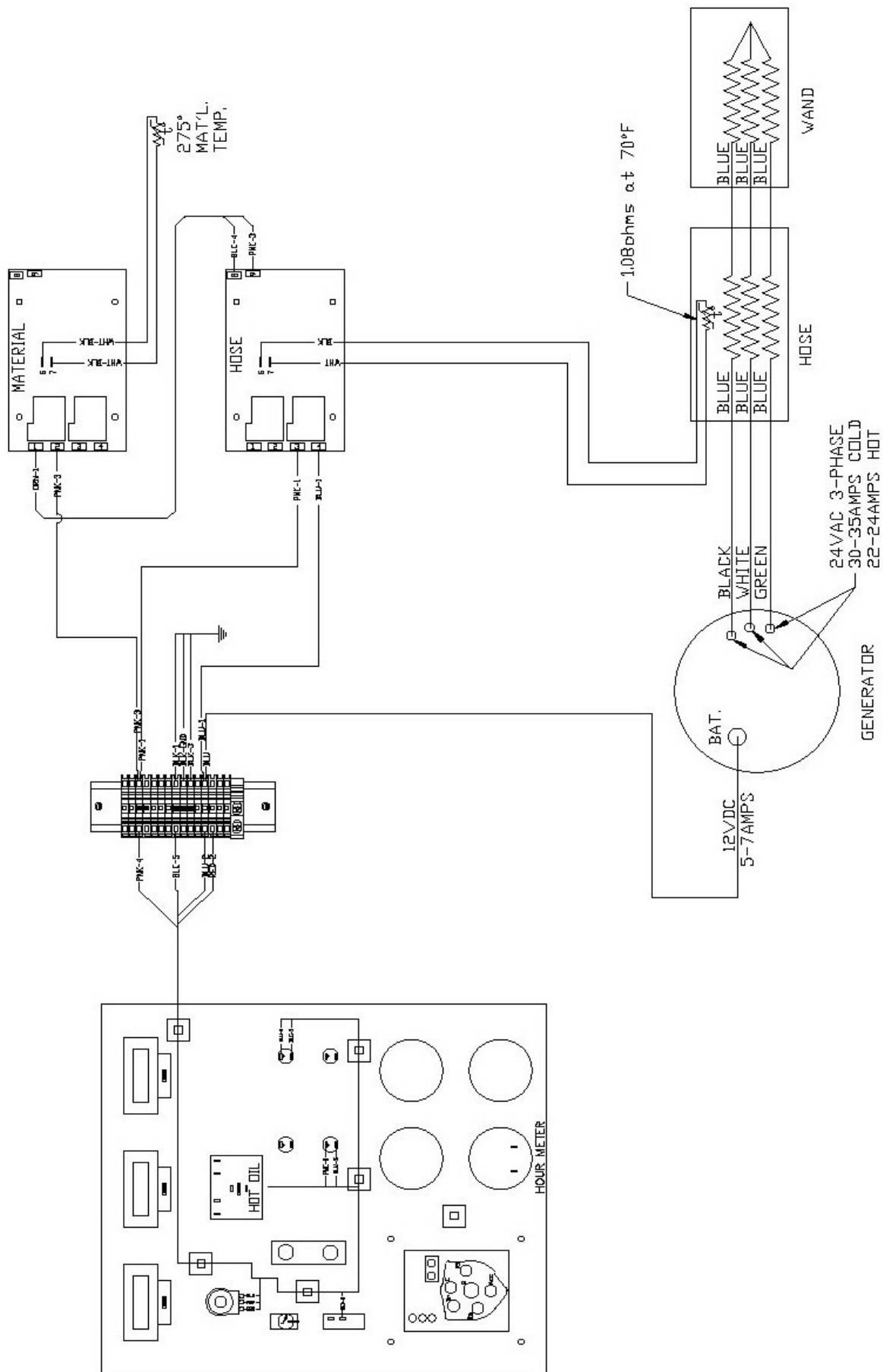
YES: Go to step 4.

NO: Check 12 volts at terminal strip (blue wire) in control box.

Step 4: Check for 24 volts AC at the “BLACK”, “WHITE” and “GREEN” wires on the generator. (Check between blk and wht, blk and grn, wht and grn.)

YES: Go to step 5.

NO: Replace generator.



HOSE CIRCUIT

TROUBLE SHOOTING GUIDE

Step 5: Check for 30 amps (cold) or 22-24 amps (hot) at the 3 blue wires in the junction box. **(Always use a clamp-on AMP meter to perform this test.)**

YES: Hose should be operating properly.

NO: Go to step 6.

Step 6: Check for continuity between three heating element wires (blue) in junction box. **(NOTE: Wires must be disconnected from terminal block)**

YES: Go to step 7.

NO: Check continuity between terminals “A”, “E”, and “D” at the wand.

YES: Wand is Ok. Go to step 7.

NO: Replace wand.

Step 7: Check for continuity between element wires (blue) and the fitting of the hose.

YES: Replace hose.

NO: Hose is OK.

MATERIAL DOES NOT DISPENSE WHEN PUMP IS ACTIVATED

Step 1: Is the motor coupling turning clockwise?

YES: Go to step 2.

NO: Has the sealant had sufficient time to completely melt?

YES: Go to step 2.

NO: Has the hose had sufficient time to reach operating temperature?

YES: Go to step 2.

NO: Allow hose to heat up to operating temperature.

Step 2: Is the “MATERIAL” temperature at 275°F ?

YES: Go to step 3.

NO: Allow material to heat longer or turn “POWER” toggle switch “ON”.

Step 3: Is the “PUMP” light illuminated?

YES: Go to step 4.

NO: Hose temperature must be at 325°F before the pump will activate.

Step 4: Check for 12 volts at terminals #12 (red-blk wire) and terminal #14 (green wire) of the relay. **(NOTE: Terminal #12 will have 12 volts when the key is “ON”. Terminal #14 will have 12 volts when trigger is activated.)**

YES: Go to step 4a.

NO: Check continuity of red trigger wires in junction box.

Yes: Go to step 5.

No: Check for continuity between terminals “C” and “B” on wand when the trigger is activated.

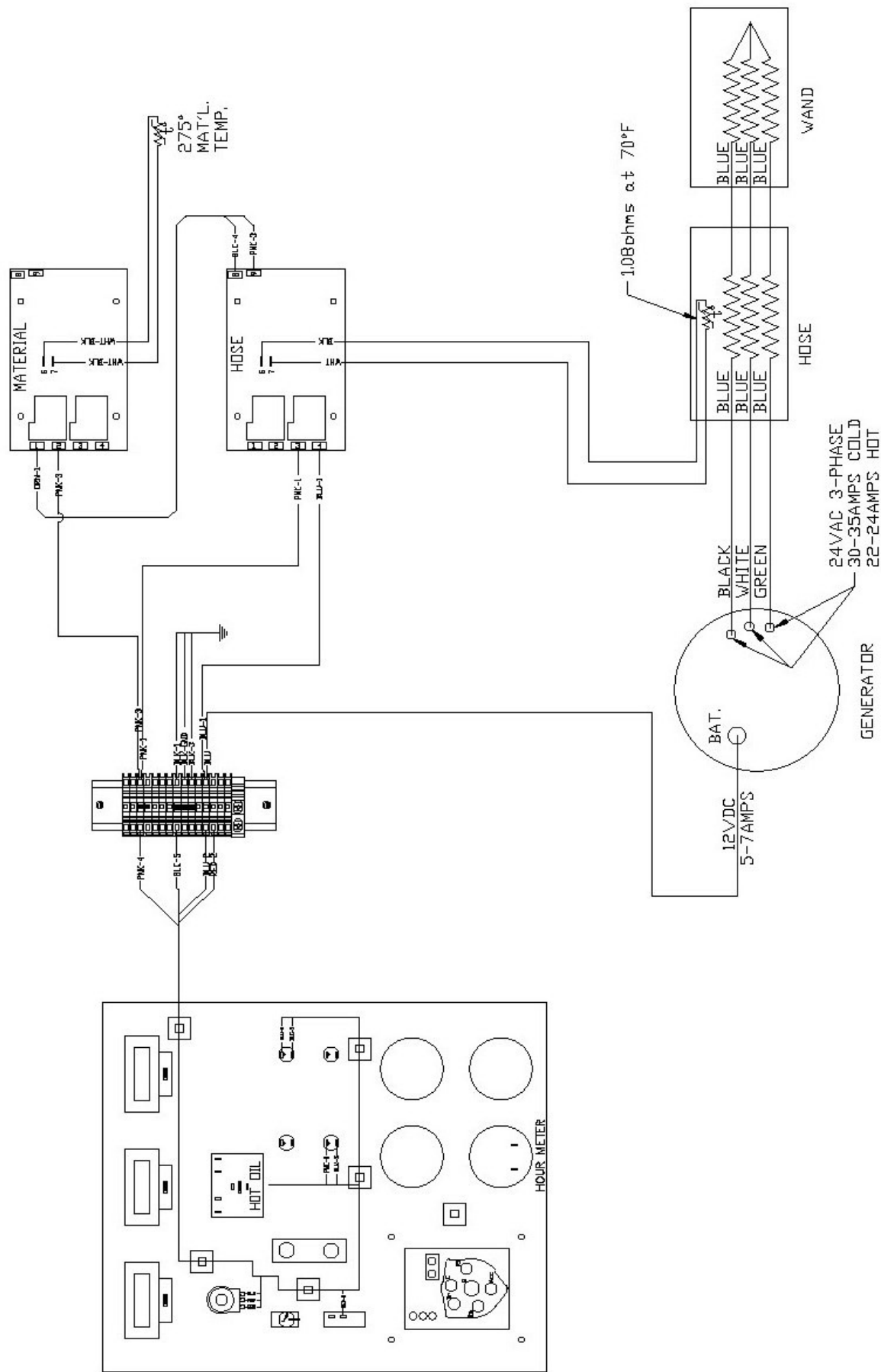
YES: Go to step 5.

NO: Replace trigger or check for poor connections.

Step 4a: Check relay by pressing the white test button on top of relay. **(CAUTION: Pump will dispense material)**

YES: Go to step 5.

NO: Replace relay.



HOSE CIRCUIT

TROUBLE SHOOTING GUIDE

Step 5: Is the top right light on hydraulic valve illuminated (looking at the rear of the hydraulic valve) when trigger is activated?

YES: Replace hydraulic cartridge.

NO: Go to step 4.

PUMP ROTATES BUT NO MATERIAL IS DISCHARGED

Step 1: Has the sealant and heated hose had sufficient time to reach temperature?

YES: Go to step 2.

NO: Allow the sealant and hose to heat longer.

Step 2: Check material outlet pipe and connection between hose and wand for obstruction.

YES: Remove obstruction and reassemble hose connection.

NO: Go to step 3.

Step 3: Is there an obstruction at the pump suction?

YES: Reverse material pump for 30 seconds.

NO: Refer to page 20 for pump removal if required.

MATERIAL DISPENSING RATE IS TOO SLOW

Step 1: Check speed control knob for desired flow adjustment.

YES: Go to step 2.

NO: Adjust to desired flow.

Step 2: Is there enough material in the tank?

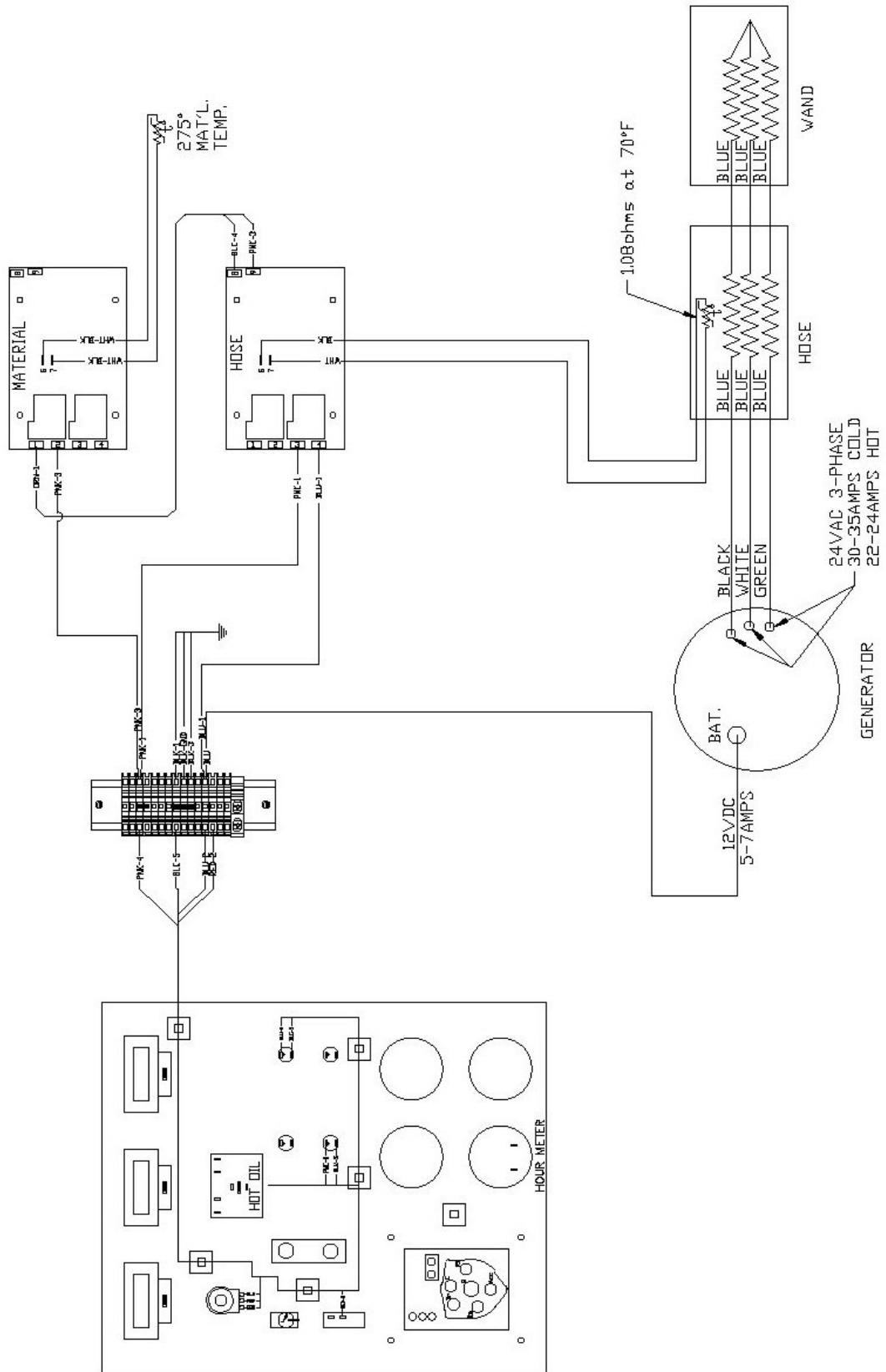
YES: Go to step 3.

NO: Add enough material to bring tank level above the screen.

Step 3: Check material outlet pipe and connection between hose and wand for obstruction.

YES: Remove obstruction and reassemble hose connection.

NO: Pump is worn out. (See page 20 for pump removal and installation.)



HOSE CIRCUIT

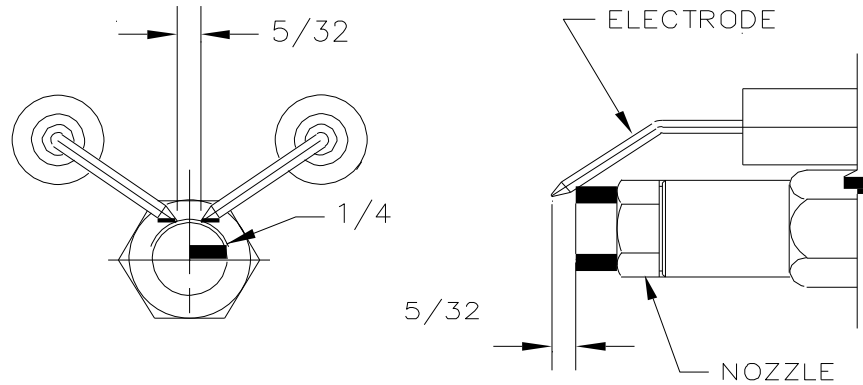
RTD SENSOR - OHMS vs. TEMPERATURE

The following chart shows what the ohm reading would be for a given temperature. The following are the instructions for use.

1. Measure the resistance (Ohms) of the sensor in question with an Ohm meter.
2. Find the reading in the chart.
3. Follow the row to the left and get the temperature in 10° increment, then follow the column up to get the 1° increment. Example: 1573 Ohms =302°

°F	0	1	2	3	4	5	6	7	8	9
0	930.3	932.5	934.7	936.9	939.1	941.3	943.4	945.6	947.8	950.0
10	952.2	954.3	956.5	958.7	960.9	963.0	965.2	967.4	969.6	971.8
20	973.9	976.1	978.3	980.5	982.6	984.8	987.0	989.1	991.3	993.5
30	995.7	997.8	1000.0	1002.2	1004.3	1006.5	1008.7	1010.9	1013.0	1015.2
40	1017.4	1019.5	1021.7	1023.9	1026.0	1028.2	1030.4	1032.5	1034.7	1036.9
50	1039.0	1041.2	1043.4	1045.5	1047.7	1049.8	1052.0	1054.2	1056.3	1058.5
60	1060.7	1062.8	1065.0	1067.1	1069.3	1071.5	1073.6	1075.8	1077.9	1080.1
70	1082.2	1084.4	1086.6	1088.7	1090.9	1093.0	1095.2	1097.3	1099.5	1101.6
80	1103.8	1106.0	1108.1	1110.3	1112.4	1114.6	1116.7	1118.9	1121.0	1123.2
90	1125.3	1127.5	1129.6	1131.8	1133.9	1136.1	1138.2	1140.4	1142.5	1144.7
100	1146.8	1149.0	1151.1	1153.2	1155.4	1157.5	1159.7	1161.8	1164.0	1166.1
110	1168.3	1170.4	1172.5	1174.7	1176.9	1179.0	1181.1	1183.3	1185.4	1187.5
120	1189.7	1191.8	1194.0	1196.1	1198.2	1200.4	1202.5	1204.6	1206.8	1208.9
130	1211.0	1213.2	1215.3	1217.5	1219.6	1221.7	1223.9	1226.0	1228.1	1230.3
140	1232.4	1234.5	1236.7	1238.9	1240.9	1243.0	1245.2	1247.3	1249.4	1251.6
150	1253.7	1255.8	1258.0	1260.1	1262.2	1264.3	1266.5	1268.6	1270.7	1272.8
160	1275.0	1277.1	1279.2	1281.3	1283.5	1285.6	1287.7	1289.8	1292.0	1294.1
170	1296.2	1298.3	1300.4	1302.6	1304.7	1306.8	1308.9	1311.0	1313.2	1315.3
180	1317.4	1319.5	1321.6	1323.8	1325.9	1328.0	1330.1	1332.2	1334.3	1336.5
190	1338.6	1340.7	1342.8	1344.9	1347.0	1349.1	1351.2	1353.4	1355.5	1357.6
200	1359.7	1361.8	1363.9	1366.0	1368.1	1370.2	1372.4	1374.5	1376.6	1378.7
210	1380.8	1382.9	1385.0	1387.1	1389.2	1391.3	1393.4	1395.5	1397.6	1399.7
220	1401.8	1403.9	1406.0	1408.1	1410.3	1412.4	1414.5	1416.6	1418.7	1420.8
230	1422.9	1425.0	1427.1	1429.2	1431.3	1433.4	1435.5	1437.6	1439.6	1441.7
240	1443.8	1445.9	1448.0	1450.1	1452.2	1454.3	1456.4	1458.5	1460.6	1462.7
250	1464.8	1466.9	1469.0	1471.1	1473.2	1475.3	1477.3	1479.4	1481.5	1483.6
260	1485.7	1487.8	1489.9	1492.0	1494.1	1496.1	1498.2	1500.3	1502.4	1504.5
270	1506.6	1508.7	1510.8	1512.8	1514.9	1517.0	1519.1	1521.2	1523.3	1525.3
280	1527.4	1529.5	1531.6	1533.7	1535.7	1537.8	1539.9	1542.0	1544.1	1546.1
290	1548.2	1550.3	1552.4	1554.5	1556.5	1558.6	1560.7	1562.8	1564.8	1566.9
300	1569.0	1571.1	1573.1	1575.2	1577.3	1579.4	1581.4	1583.5	1585.6	1587.7
310	1589.7	1591.8	1593.9	1595.9	1598.0	1600.1	1602.2	1604.2	1606.3	1608.4
320	1610.4	1612.5	1614.6	1616.6	1618.7	1620.8	1622.8	1624.9	1627.0	1629.0
330	1631.1	1633.2	1635.2	1637.3	1639.3	1641.4	1643.5	1645.5	1647.6	1649.7
340	1651.7	1653.8	1655.8	1657.9	1660.0	1662.0	1664.1	1666.1	1668.2	1670.2
350	1672.3	1674.4	1676.4	1678.5	1680.5	1682.6	1684.6	1686.7	1688.7	1690.8
360	1692.9	1694.9	1697.0	1699.0	1701.1	1703.1	1705.2	1707.2	1709.3	1711.3
370	1713.4	1715.4	1717.5	1719.5	1721.6	1723.6	1725.7	1727.7	1729.8	1731.8
380	1733.9	1735.9	1737.9	1740.0	1742.0	1744.1	1746.1	1748.2	1750.2	1752.3
390	1754.3	1756.3	1758.4	1760.4	1762.5	1764.5	1766.6	1768.6	1770.6	1772.7
400	1774.7	1776.8	1778.8	1780.8	1782.9	1784.9	1786.9	1789.0	1791.0	1793.1
410	1795.1	1797.1	1799.2	1801.2	1803.2	1805.3	1807.3	1809.3	1811.4	1813.4
420	1815.4	1817.5	1819.5	1821.5	1823.6	1825.6	1827.6	1829.6	1831.7	1833.7
430	1835.7	1837.8	1839.8	1841.8	1843.8	1845.9	1847.9	1849.9	1851.9	1854.0
440	1856.0	1858.0	1860.0	1862.1	1864.1	1866.1	1868.1	1870.2	1872.2	1874.2
450	1876.2	1878.2	1880.3	1882.3	1884.3	1886.3	1888.3	1890.4	1892.4	1894.4
460	1896.4	1898.4	1900.5	1902.5	1904.5	1906.5	1908.5	1910.5	1912.6	1914.6
470	1916.6	1918.6	1920.6	1922.6	1924.6	1926.6	1928.7	1930.7	1932.7	1934.7
80	1936.7	1938.7	1940.7	1942.7	1944.7	1946.8	1948.8	1950.8	1952.8	1954.8
490	1956.8	1958.8	1960.8	1962.8	1964.8	1966.8	1968.8	1970.8	1972.8	1974.8
500	1976.8	1978.8	1980.8	1982.9	1984.9	1986.9	1988.9	1990.9	1992.9	1994.9
510	1996.9	1998.9	2000.9	2002.9	2004.9	2006.9	2008.8	2010.8	2012.8	2014.8
520	2016.8	2018.8	2020.8	2022.8	2024.8	2026.8	2028.8	2030.8	2032.8	2034.8
530	2036.8	2038.8	2040.8	2042.8	2044.7	2046.7	2048.7	2050.7	2052.7	2054.7
540	2056.7	2058.7	2060.7	2062.7	2064.6	2066.6	2068.6	2070.6	2072.6	2074.6
550	2076.6	2078.5	2080.5	2082.5	2084.5	2086.5	2088.5	2090.4	2092.4	2094.4

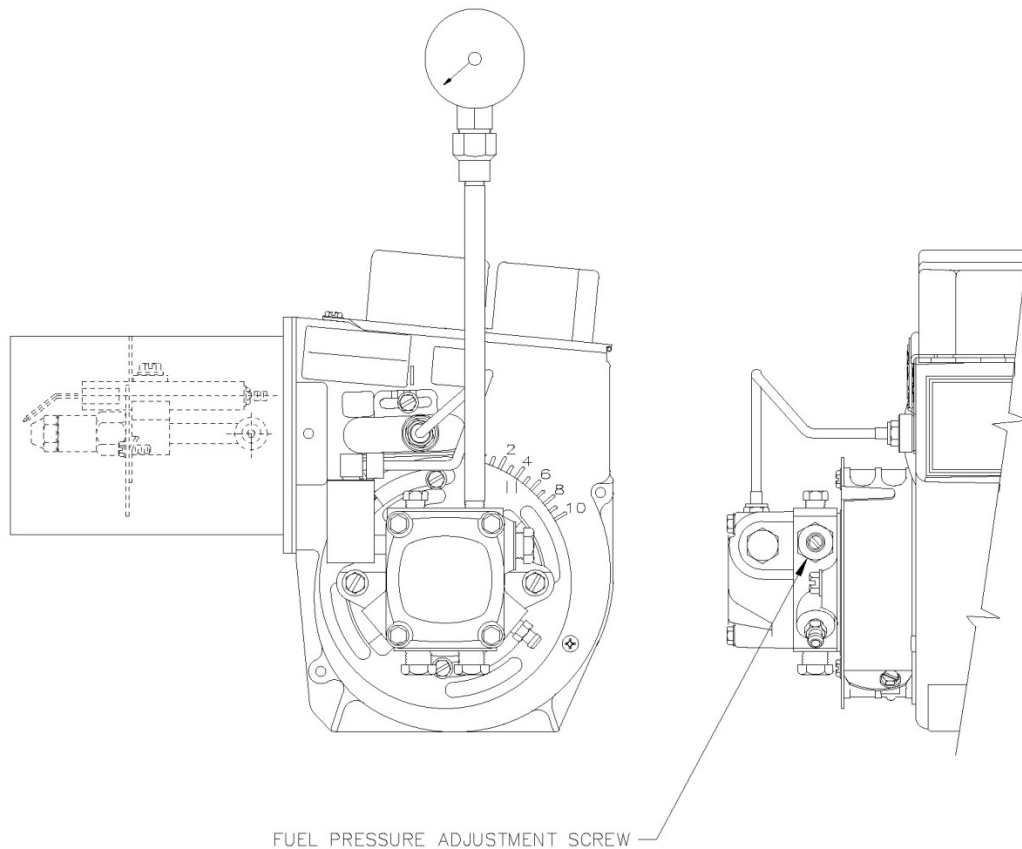
DIESEL BURNER ADJUSTMENTS



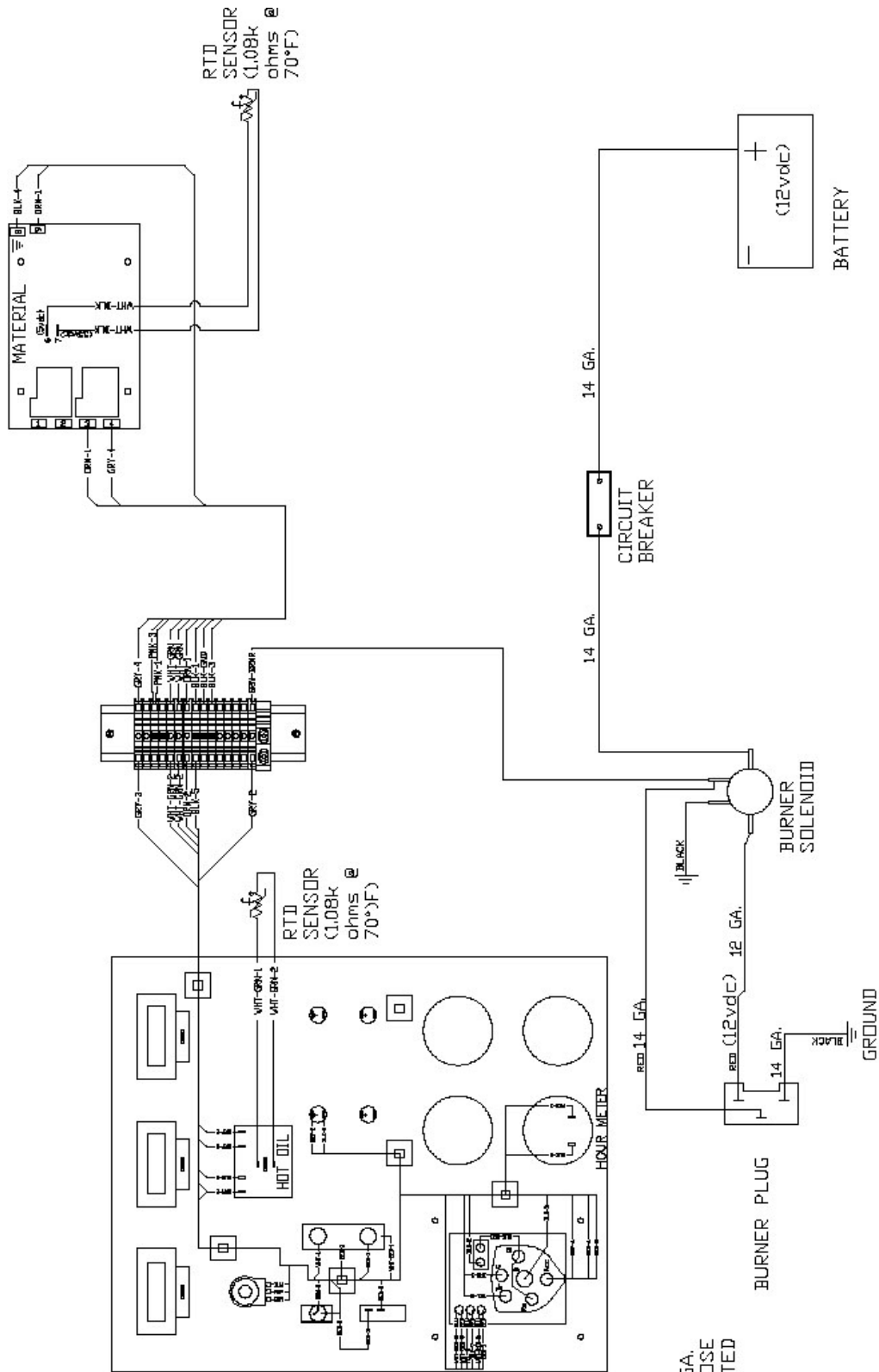
DIESEL BURNER SETTINGS

- Air Shutter = 4
- Air Band = 0
- Fuel Pressure = 140 PSI
- Adjustment Plate = 3

Use fuel and hydraulic pressure gauge kit part number 29960.



BURNER SCHEMATIC



NOTE:
ALL WIRE 18 GA.
GENERAL PURPOSE
EXCEPT AS NOTED

DIESEL BURNER CIRCUIT

BURNER TROUBLE SHOOTING

BURNER WILL NOT IGNITE

Step 1: Check for 12 volts at “POWER” toggle switch.

No: Engine key “OFF”
Toggle switch “OFF”
Blown fuse
Broken wire

YES: 12 volts at terminal #4 on “MATERIAL” Pak-Stat

NO: Bad Pak-Stat
Faulty sensor

YES: Check for 12 volts at terminal #7 on “OIL” Pak-Stat

NO: Bad Pak-Stat
Faulty sensor

YES: Check for 12 volts at solenoid (frame).

NO: Bad solenoid
Bad connection at battery
Faulty circuit breaker
Broken or loose wire

YES: Faulty DC Controller, poor ground / loose wire
Faulty or dirty flame
Faulty igniter transformer, cracked electrode (ceramic)
Incorrect igniter gap
Faulty fuel solenoid
Bleed fuel pump / check fuel pump coupling
Fuse under DC Controller
Blower motor relay
Faulty blower motor
Alternator charging @ 14 volts
Faulty 12 volt battery



BURNER LIGHTS BUT SHUTS DOWN AFTER 15 SEC.

Faulty flame eye
Broken, loose flame eye sensor wires, receptacle
Faulty DC Controller
Bleed fuel system if white or blue smoke appears through exhaust stack

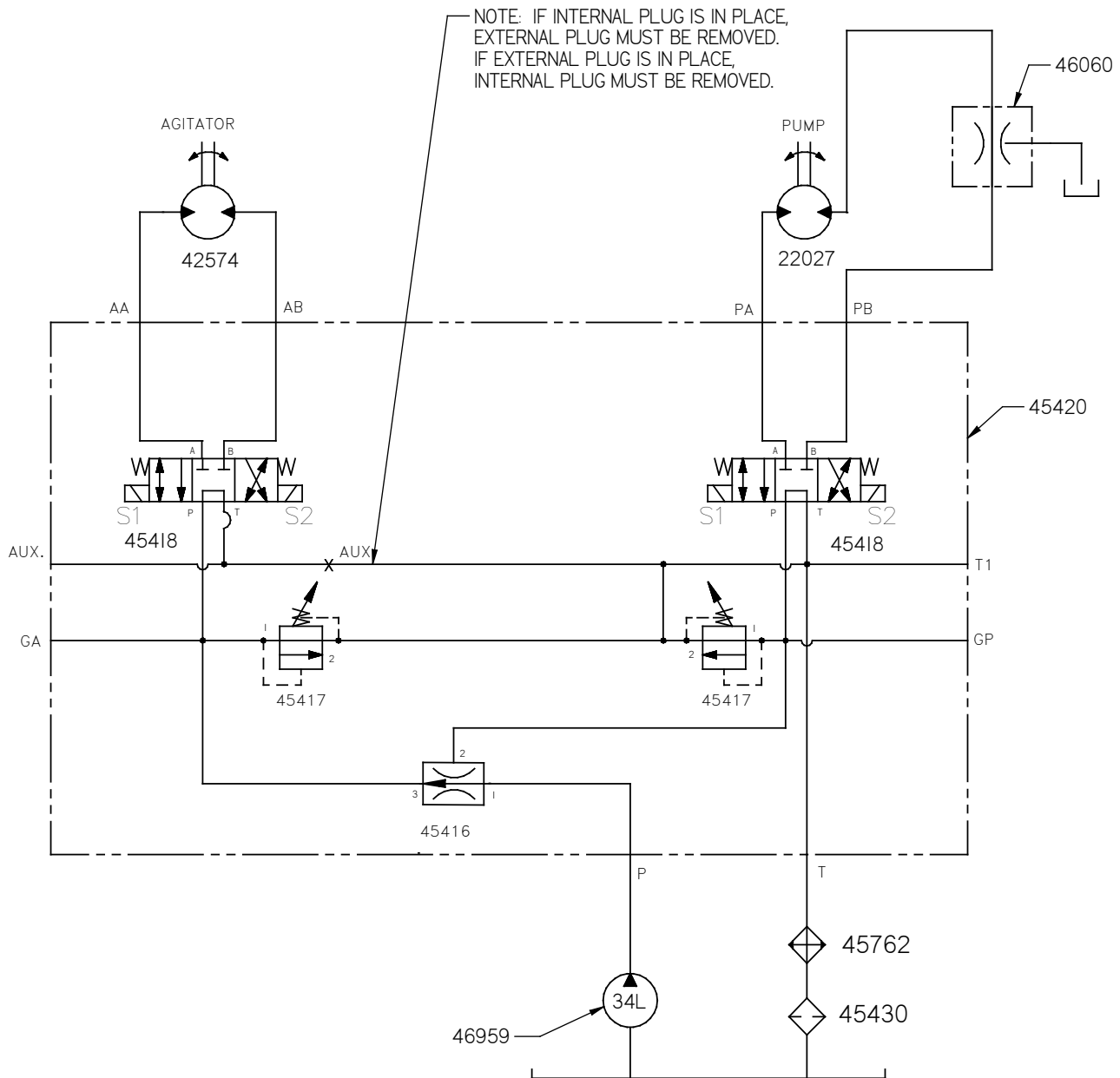
BURNER LIGHTS BUT WILL NOT RELIGHT

Bad connection at battery
Broken or loose wires
Faulty DC Controller
Alternator charging at 14 volts
Faulty 12 volt battery

EXCESSIVE SMOKE FROM BURNER EXHAUST

Air vent incorrectly set - set at 7
Blower motor not turning at correct speed
Alternator charging at 14 volts
Faulty 12 volt battery

HYDRAULIC SCHEMATIC

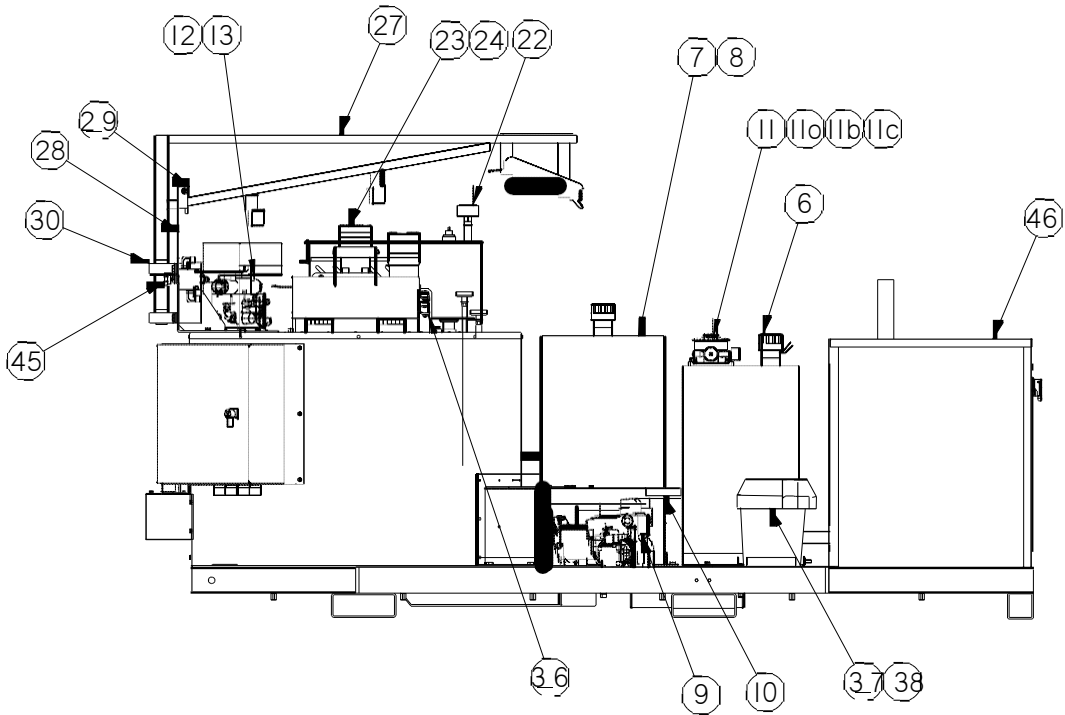
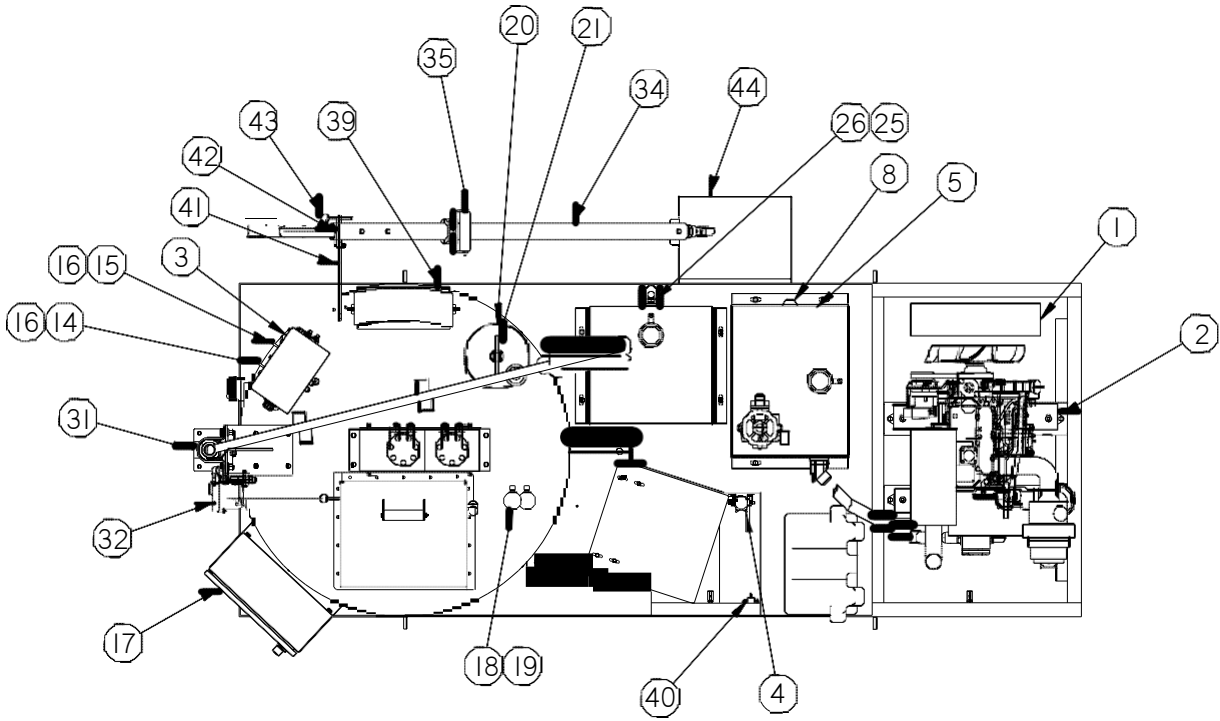


Flow = 34 LPM @ 2550 RPM
 Relief Valve (RVA) = 69 Bar
 Relief Valve (RVM) = 69 Bar

TROUBLE SHOOTING HYDRAULICS

PROBLEM	CAUSE	REMEDY
Mixer will not rotate.	Sealant temperature too low.	Continue to heat material.
Mixer will not rotate.	Too many blocks placed at one time.	Continue to heat material.
Mixer will not rotate.	Inadequate hydraulic flow/pressure.	Check hydraulic fluid level.
Mixer will not rotate.	Toggle switch turned off.	Reset pressure, check flow if necessary.
Material pump will not rotate.	Material in tank not to operating temperature.	Continue heating material.
Material pump will not rotate.	Inadequate hydraulic flow/pressure.	Check hydraulic fluid level. Reset pressure, check flow as necessary.
Material pump will not rotate.	Material pump damaged.	Remove and replace.
Material pump will not rotate.	Foreign object lodged in pump.	Remove pump, clean & replace.
Material pump will not rotate.	Temperature at wand tip is inadequate.	Set wand tip inside material tank.
Material pump will not rotate.	Bad switch at wand.	Remove and replace.
Material pump will not rotate.	Hydraulic cartridge failure.	Remove and replace.
Material pump will not rotate.	Hydraulic coil failure.	Remove and replace.
When applying sealant it stops flowing from applicator wand.	Tank fluid level too low for material to flow into pump.	Add more material or continue heating material until more liquid material is available.
Pump rotates, but will not pump material.	Material cold, inlet still solid. Hose not to temperature. Temperature at wand tip is inadequate.	Continue to heat material. Allow to heat longer. Set wand tip inside material tank.
Pump does not rotate.	Bad wire connection. Bad switch at wand handle. Hydraulic cartridge failure. Hydraulic coil failure.	Find bad repair. Remove and replace. Remove and replace. Remove and replace.
Slow heat up of sealant.	Built up of coked material on inside of material tank. Low heating oil level. Low heating oil temperature.	Allow machine to cool. Remove deposits and flush with solvent. Make sure fluid level is correct. Set at recommended temperature.

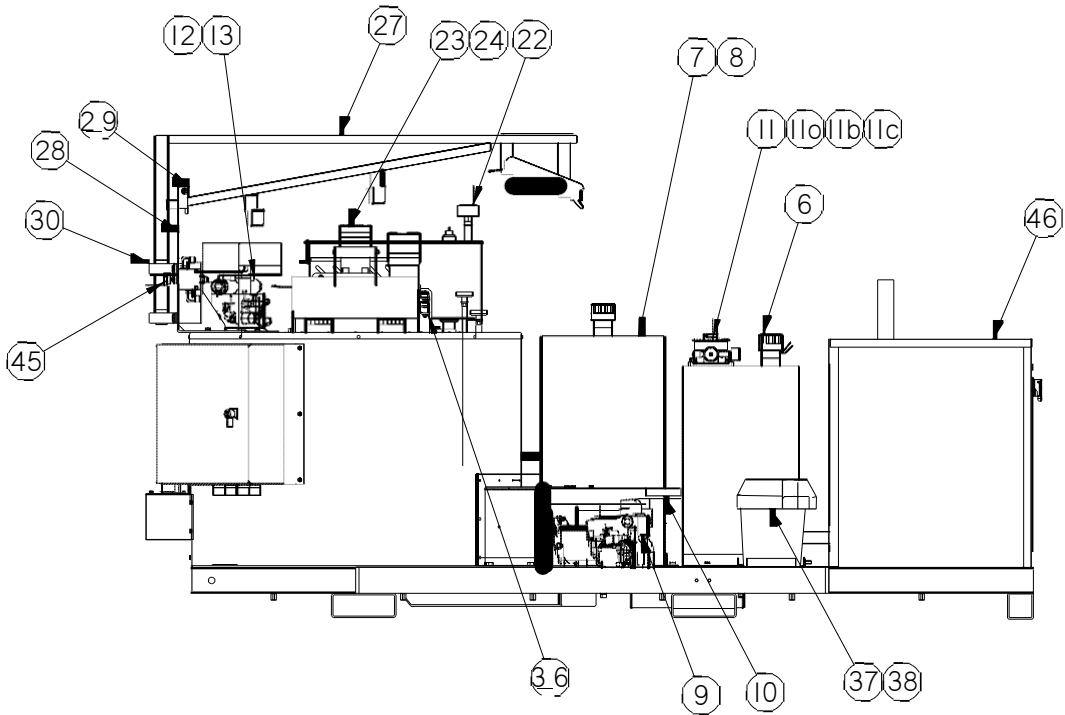
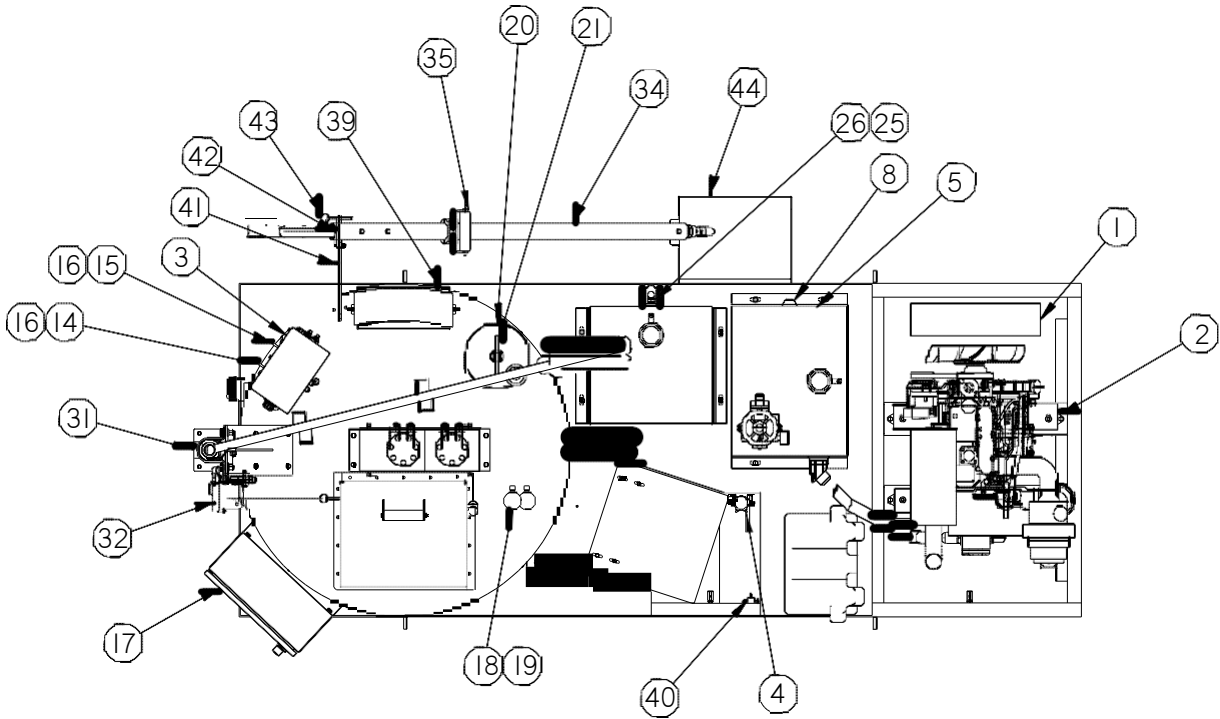
SS 60D MELTER



SS 60D MELTER PARTS LIST

NUMBER	PART NUMBER	QTY.	DESCRIPTION
1	46840	1	ENGINE ASSEMBLY
2	29399	4	ISOMOUNT
3	46864	1	COVER - CONTROL VALVE
4	39602	1	SOLENOID
5	46850	1	HYDRAULIC TANK ASSEMBLY
6	43579	2	FILLER / BREATHER
7	46855	1	FUEL TANK ASSEMBLY
8	45415	1	SIGHT GAUGE, HYDRAULIC TANK
9	46380	1	14 VOLT BURNER
10	46909	1	COVER - BURNER
11	45430	1	HYDRAULIC FILTER ASSEMBLY
11a	45438	1	HYDRAULIC FILTER ELEMENT
11b	45440	-	O-RING, HYDRAULIC FILTER
11c	45441	-	GASKET, HYDRAULIC FILTER
12	45420	1	CONTROL VALVE ASSEMBLY
13	46931	1	BRACKET, HYDRAULIC VALVE
14	32513	1	TOGGLE SWITCH - PUMP REVERSE
15	51678	1	TOGGLE SWITCH - AGITATOR
16	50720	2	BOOT - TOGGLE SWITCH
17	45525	1	CONTROL BOX ASSEMBLY
18	43465	2	SENSOR, RTD
19	51065	2	CORD GRIP`
20	43355	1	OVERFLOW TANK
21	43374	1	DIPSTICK
22	26025	1	AIR BREATHER
23	46863	1	PUMP AGITATOR MOTOR ASSEMBLY
24	46878	2	CHAIN GUARD
25	44818	1	TUBING, SIGHT GAUGE

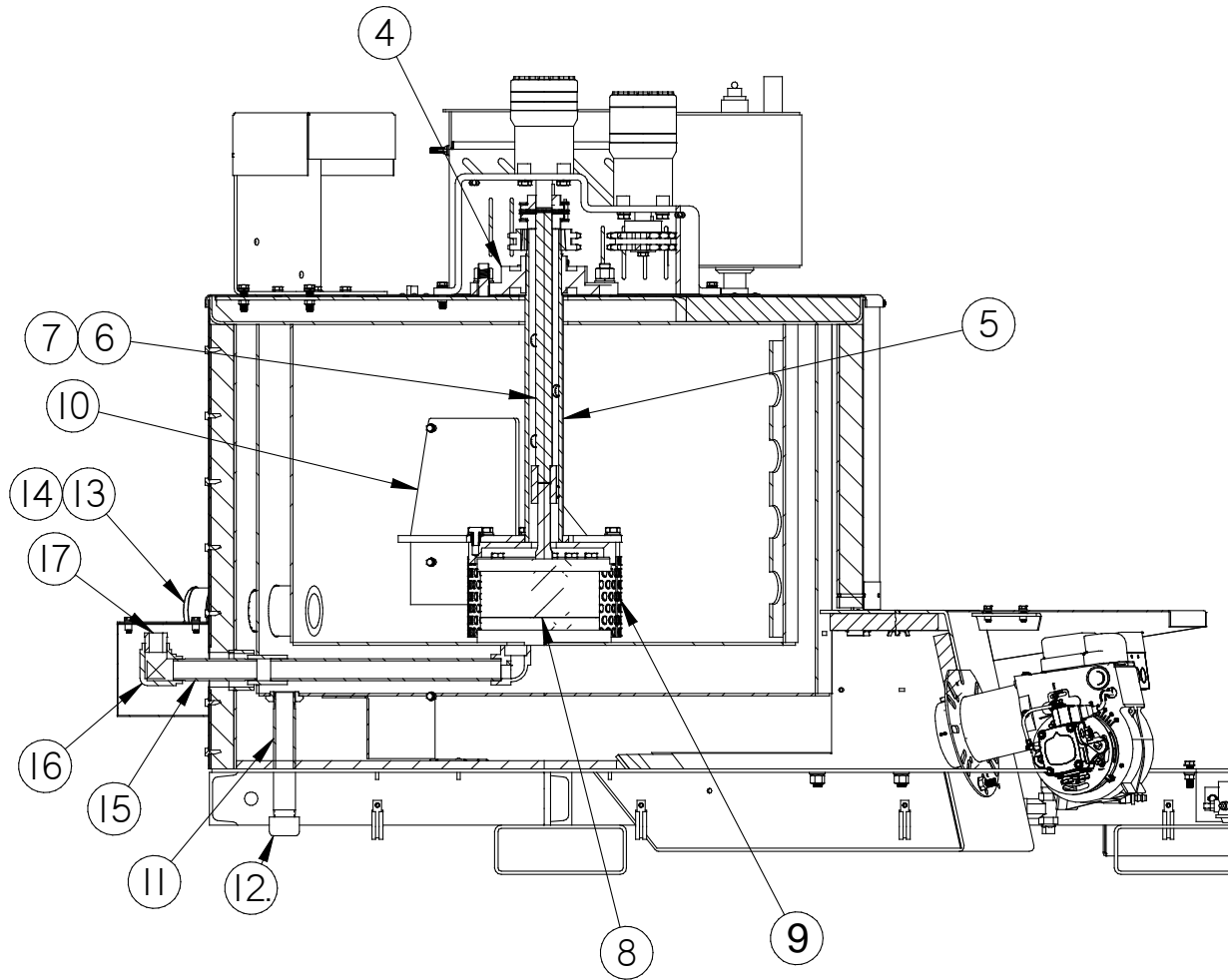
SS 60D MELTER



SS 60D MELTER PARTS LISTS

NUMBER	PART NUMBER	QTY.	DESCRIPTION
26	44817	2	FITTING, SIGHT GAUGE
27	46860	1	BOOM - HOSE
28	46851	1	BASE - BOOM
29	46862	1	BOOM LOCK
30	46844	2	BEARING, BOOM
31	46839	1	HEAT GUARD
32	44027	1	JUNCTION BOX ASSEMBLY
33	51731	1	ELECTRIC HEATED HOSE ASSEMBLY - 15 FT.
34	51730	1	ELECTRIC HEATED WAND ASSEMBLY - 48"
35	43768	1	WAND HANDLE
36	39608	1	SWITCH, LID
37	24000	1	BATTERY
38	24002	1	BATTERY BOX
39	46933	2	GUARD, VENT
40	31512	1	CIRCUIT BREAKER
41	46905	1	WAND SUPPORT
42	46906	1	LOCKING ARM, WAND SUPPORT
43	26104	2	1/4 X 2" GRIP, QUICK RELEASE PIN
44	46908	1	DRIP PAN
45	46060	1	FLOW CONTROL

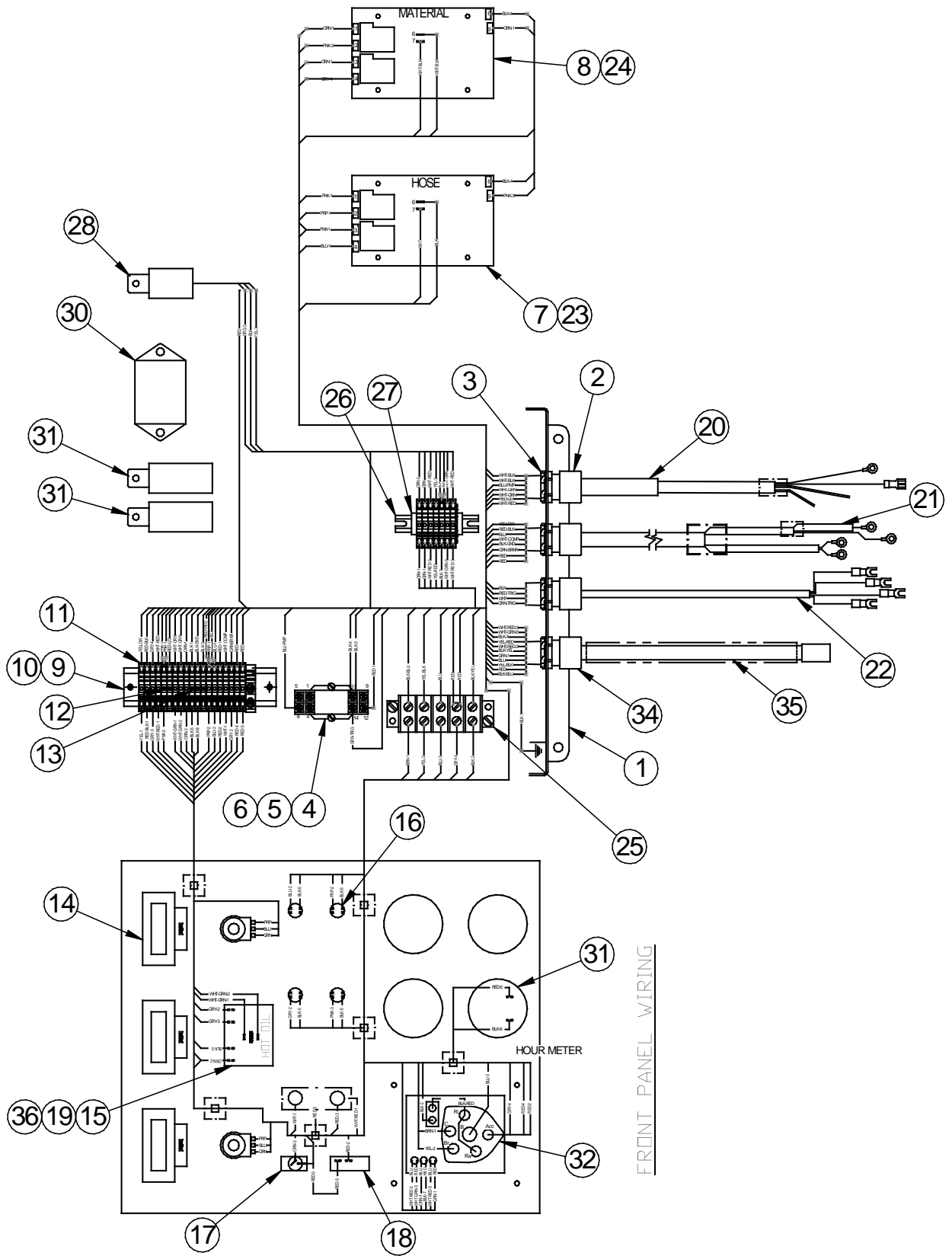
TANK DETAIL



TANK DETAIL

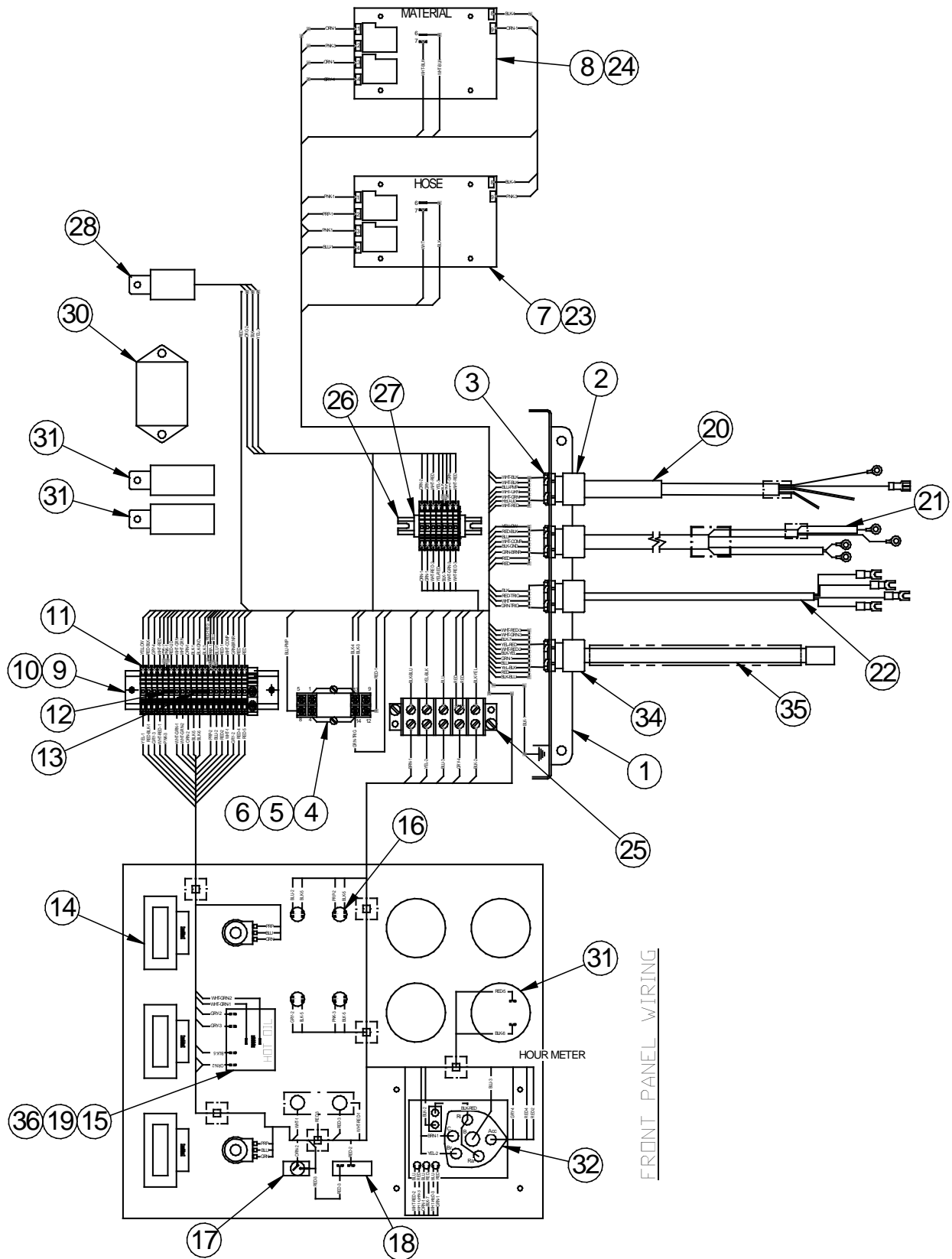
ITEM	PART NUMBER	QTY	DESCRIPTION
1	44165	1	SPROCKET - DRIVEN
2	44163	1	KEY, SPROCKET
3	43321	1	CHAIN - DRIVE
4	46872	1	BEARING, FLANGED
5	46896	1	SHAFT - AGITATOR
6	43548	1	SHAFT, DRIVE - PUMP
7	31368	1	KEY - DRIVE SHAFT
8	44850	1	PUMP, MATERIAL
9	46803	1	SCREEN - PUMP
10	46900	2	PADDLE - AGITATOR
11	28101	1	1" X 8" LG. PIPE NIPPLE
12	28270	1	1" PIPE CAP
13	28060	1	2" X 5" LG. PIPE NIPPLE
14	28273	1	2" PIPE CAP
15	28055	1	1" X 5" LG. PIPE NIPPLE
16	28210	1	1" PIPE ELBOW
17	28351	1	1" X 3/4" REDUCER BUSHING

CONTROL BOX



CONTROL BOX ASSEMBLY			
NUMBER	PART NUMBER	QTY.	DESCRIPTION
1	44970	1	ENCLOSURE (NOT SHOWN)
2	40446	3	CORD CONNECTOR – BLUE
3	50280	4	1/2" CONDUIT NUT
4	51662	1	SOCKET, RELAY
5	51661	1	RELAY
6	51663	1	HOLD DOWN SPRING
7	51691	1	TEMPERATURE CONTROLLER 400°/325°
8	51672	1	TEMPERATURE CONTROLLER 400°/275°
9	51803	1	MOUNTING RAIL
10	51802	2	END BRACKET
11	51800	25	FEED THROUGH TERMINALS
12	51801	1	2-POLE JUMPER
13	51804	1	3-POLE JUMPER
14	50251	3	DIGITAL READOUT
15	43391	1	TEMPERATURE CONTROLLER 150°-550°
16	51651	4	LIGHT, 12Vdc
17	50719	1	TOGGLE SWITCH
18	51665	1	CIRCUIT BREAKER, 15 AMP
19	50593	3	KNOB
20	44983	1	CABLE ASSEMBLY, SENSOR
21	43927	1	CABLE ASSEMBLY, POWER
22	43928	1	CABLE ASSEMBLY, TRIGGER/SENSOR
23	51684	2	RIBBON CABLE 36" (NOT SHOWN)
24	51670	8	SPACER, PAK-STAT
25	44994	1	TERMINAL BLOCK, 5-POLE

CONTROL BOX



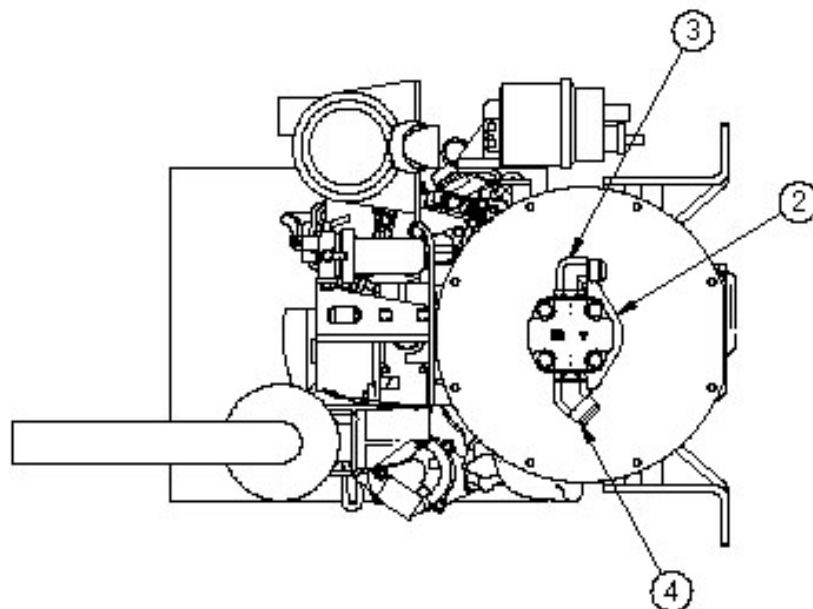
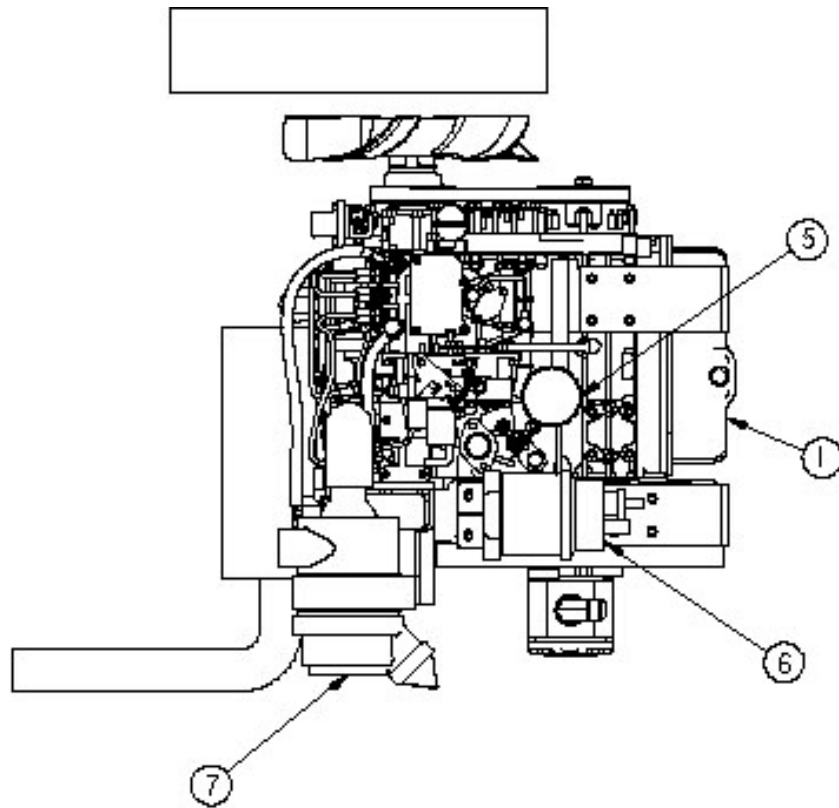
CONTROL BOX

CONTROL BOX ASSEMBLY			
NUMBER	PART NUMBER	QTY	DESCRIPTION
26	44993	1	MOUNTING RAIL 2 3/4" LG.
27	51805	4	END BRACKET
28	44979	2	RELAY, STARTER
29	44980	1	TIMER
30	-	1	RELAY
31	24076	1	HOUR METER
32	41994	1	IGNITION SWITCH
33	24024	1	CORD GRIP - "YELLOW"
34	44978	1	CABLE, ENGINE
35	51698	1	RIBBON CABLE - 5"
36	44975	OPT.	GAUGE, WATER TEMPERATURE
37	44976	OPT.	GAUGE, OIL PRESSURE
38	44977	OPT.	GAUGE, VOLT METER

ENGINE ASSEMBLY

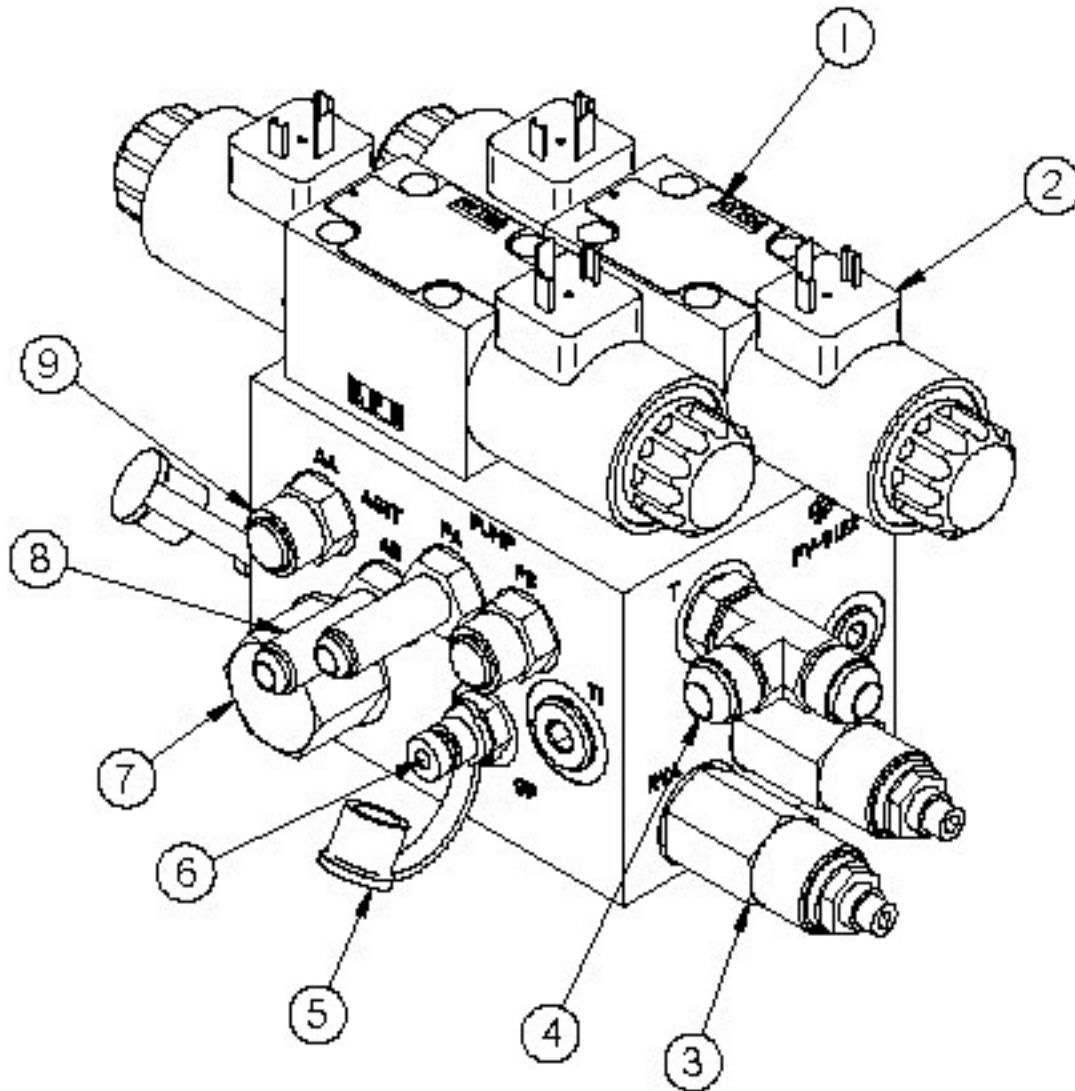
PRESET ENGINE SPEED = 2550 RPM

HOSE GENERATOR OUTPUT = 30-35 AMPS COLD
24 VAC 3-PHASE



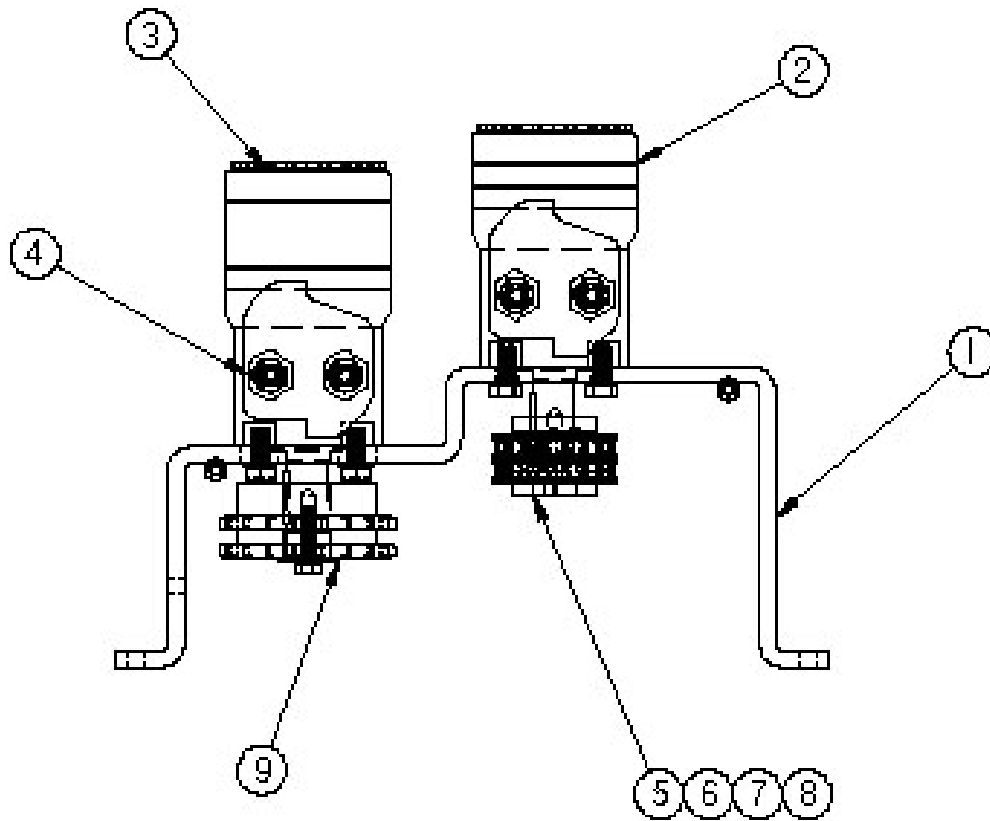
ENGINE ASSEMBLY

NUMBER	PART NUMBER	QTY.	DESCRIPTION
1	46840	1	ENGINE, 12.5kW
2	46959	1	HYDRAULIC PUMP
3	29916	1	3/4 TUBE X 1 1/16-12 90° O-RING ADAPTOR
4	46934	1	1 5/16-12 45° O-RING ADAPTOR
5	-	-	OIL FILTER
6	-	-	FUEL FILTER
7	-	-	AIR FILTER ELEMENT
8	43612	1	GENERATOR
9	-	1	BELT, GENERATOR



HYDRAULIC CONTROL VALVE

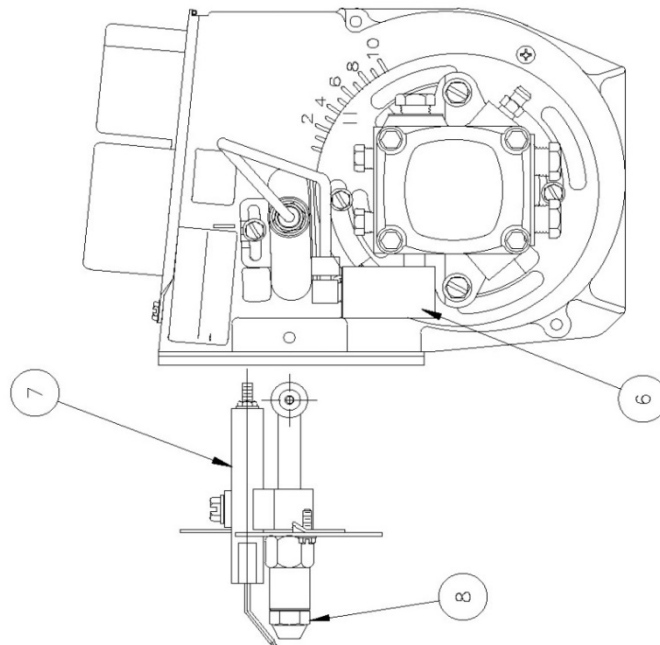
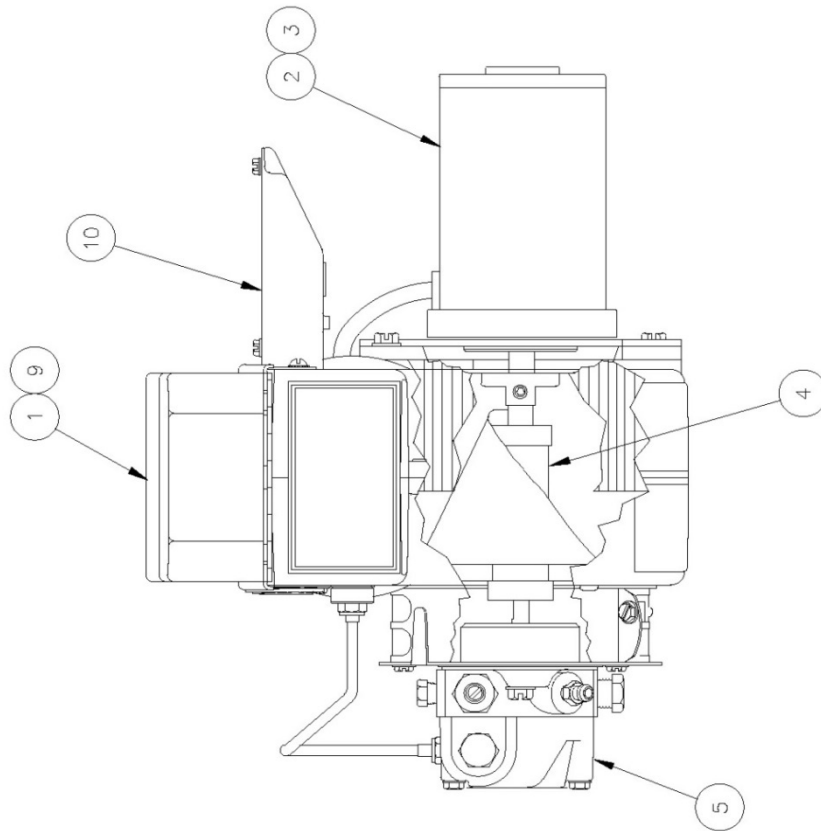
NUMBER	PART NUMBER	QTY	DESCRIPTION
1	45418	1	VALVE ASSEMBLY
2	45436	4	COIL, VALVE ASSEMBLY
3	45417	1	VALVE, RELIEF
4	-	1	TEE, MALE #8 ORB X #8 JIC RUN
5	45413	1	CAP, DUST
6	45414	1	FITTING, TEST POINT
7	45416	1	FLOW CONTROL, PRIORITY
8	-	2	FITTING, #6 ORB X #6 JIC LONG STRAIGHT
9	-	2	FITTING, #6 ORB X #8 JIC STRAIGHT



PUMP / AGITATOR MOTOR ASSEMBLY

NUMBER	PART NUMBER	QTY.	DESCRIPTION
1	46863	1	MOUNTING BRACKET - MOTORS
2	46866	1	HYDRAULIC MOTOR - PUMP
3	46867	1	HYDRAULIC MOTOR - AGITATOR
4	22029	4	3/8 TUBE X 5/8 O-RING ADAPTOR
5	26002	2	SPROCKET - CHAIN COUPLING
6	26016	1	CHAIN - COUPLING
7	26030	1	CONNECTING LINK - CHAIN
8	31368	1	KEY, 1/4 X 7/8
9	43323	1	SPROCKET - AGITATOR DRIVE

DIESEL BURNER

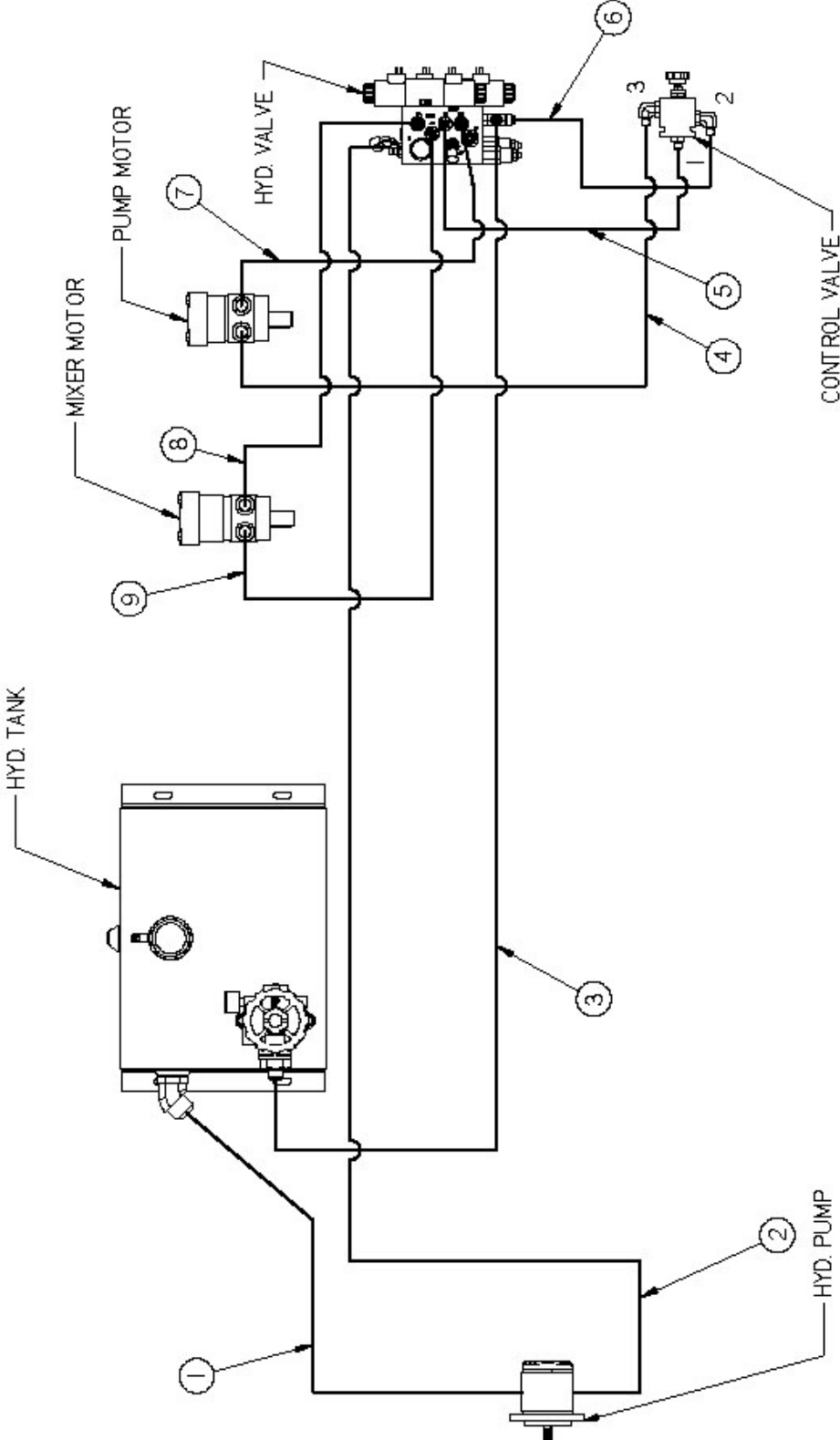


DIESEL BURNER

ITEM	PART NUMBER	QTY	DESCRIPTION
1	41949	-	IGNITION TRANSFORMER
2	41890	-	BLOWER MOTOR
3	41934	-	BRUSH KIT - MOTOR
4	41970	-	COUPLING - FUEL PUMP
5	41979	-	PUMP - FUEL
6	41888	-	SOLENOID - FUEL
7	41993	-	ELECTRODE
8	46950	-	NOZZLE
9	41870	-	CAD EYE (NOT SHOWN)
10	42335	-	DC CONTROLLER (NOT SHOWN)

HYDRAULIC DIAGRAM

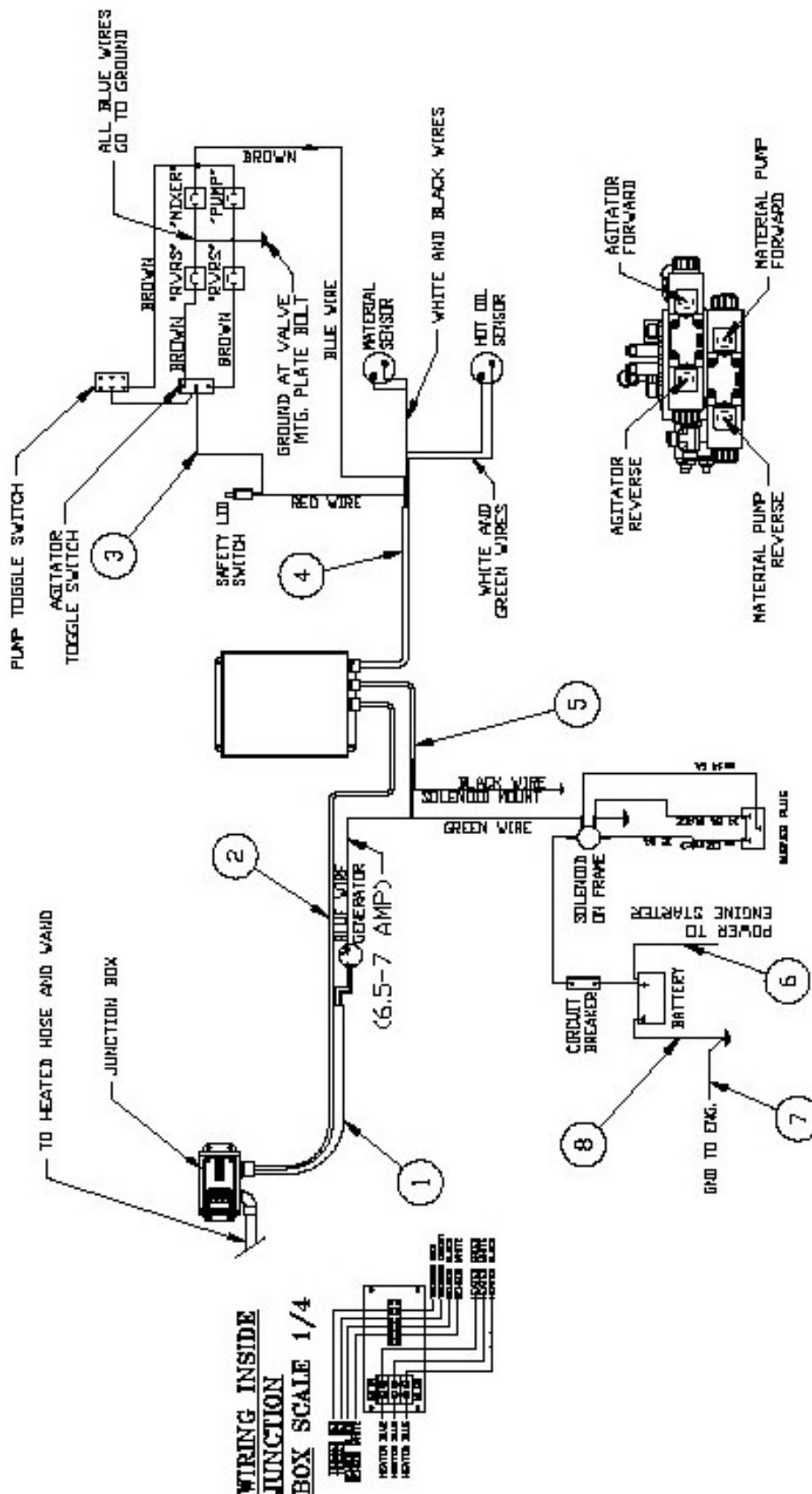
AGITATOR DIRECTION = COUNTERCLOCKWISE
MATERIAL PUMP DIRECTION = CLOCKWISE
HYDRAULIC FLOW = 34 LPM @ 2550 RPM
RELIEF VALVE (RVA) = 69 Bar
RELIF VALVE (RVM) = 69 Bar



HYDRAULIC DIAGRAM

1. HYDRAULIC RESERVOIR TO HYDRAULIC PUMP SUCTION		
REF	29898	1 1/4 ORING X 1" TUBE 45° ELBOW ADAPTER
1	12G4H 12G-16FJX 12G-12FJX 390	HYDRAULIC HOSE ASSEMBLY 3/4 X 390 LONG
1	29802	3/4 TUBE X 1-1/16-12 O-RING 45° ELBOW ADAPTER
2. HYDRAULIC PUMP TO HYDRAULIC VALVE "P" PORT		
1	29862	5/8 TUBE X 7/8-14 O-RING ELBOW ADAPTER
1	8M3K 8G-10FJX 8G-8FJX90L 2800	HYDRAULIC HOSE ASSEMBLY 1/2" X 2800 LONG
1	29897	1/2 TUBE X 3/4-16 O-RING ADAPTER
3. HYDRAULIC VALVET "T" PORT TO HYD. FILTER		
1	29916	3/4 TUBE X 1 1/16-12 O-RING ELBOW ADAPTER
1	12M3K 12G-12FJX 12G-12FJX90S 1550	HYDRAULIC HOSE ASSEMBLY 3/4 X 1550 LONG
1	29978	3/4 TUBE X 1 5/16-12 O-RING ADAPTER
4. FLOW VALVE "3" PORT TO MAT'L PUMP MOTOR		
1	29896	1/2 TUBE X 3/4-16 O-RING ELBOW ADAPTER
1	8M3K 8G-8FJX 8G-6FJX 570	HYDRAULIC HOSE ASSEMBLY 1/2 X 570 LONG
1	29913	1/2 TUBE X 7/8-14 O-RING ADAPTER
5. FLOW VALVE "1" PORT TO HYD VALVE "PA" PORT		
1	29998	1/2 TUBE X 3/4-16 O-RING ADAPTER
1	8M3K 8G-8FJX 8G-6FJX 570	HYDRAULIC HOSE ASSEMBLY 1/2 X 570 LONG
1	40311	3/8 TUBE X 9/16-18 O-RING ADAPTER
6. FLOW VALVE "2" PORT TO HYD VALVE "T" PORT		
1	29896	1/2 TUBE X 7/8-14 O-RING ELBOW ADAPTER
1	8M3K 8G-8FJX 8G-8FJX90S 800	HYDRAULIC HOSE ASSEMBLY 1/2 X 800 LONG
1	29932	3/4-16 O-RING RUN TEE
7. HYD. VALVE "PB" PORT TO MATERIAL PUMP MOTOR		
1	29919	1/2 TUBE X 9/16-18 O-RING ADAPTER
1	8M3K 8G-8FJX 8G-8FJX90S 410	HYDRAULIC HOSE ASSEMBLY 1/2 X 410 LONG
1	29813	1/2 TUBE X 7/8-14 O-RING ADAPTER
8. HYD VALVE "AA" PORT TO MIXER MOTOR		
1	29919	1/2 TUBE X 9/16-18 O-RING ADAPTER
1	6M3K 6G-6FJX 6G-6FJX90L 570	HYDRAULIC HOSE ASSEMBLY 3/8 X 570 LONG
1	22029	3/8 TUBE X 7/8-14 ORING ADAPTER
9. MIXER MOTOR TO HYD VALVE "AB" PORT		
1	22029	3/8 TUBE X 7/8-14 ORING ADAPTER
1	6M3K 6G-6FJX 6G-6FJX90S 590	HYDRAULIC HOSE ASSEMBLY 3/8 X 590 LONG
1	40311	3/8 TUBE X 9/16-18 O-RING ADAPTER

ELECTRICAL CABLES



ELECTRICAL CABLES

ITEM	PART NUMBER	QTY	DESCRIPTION
1	44983	1	SENSOR CABLE ASSEMBLY
2	44984	1	POWER CABLE ASSEMBLY
3	44985	1	TRIGGER/SENSOR CABLE ASSEMBLY
4	43901	1	HOSE CABLE ASSEMBLY
5	43921	1	CABLE ASSEMBLY - VALVE
6	24015	1	BATTERY CABLE, 38" - POSITIVE
7	24010	1	BATTERY CABLE, 12" - GROUND
8	27174	1	BATTERY CABLE, 22" - ENGINE GROUND

**Pioneering Leadership and
Innovation in Quality
Pavement Maintenance
Products.**

CRAFCOTM INC
AN ERGON[®] COMPANY

**25527 South Arizona Ave. · Chandler, Arizona 85248
480-655-8333 · Watts 1-800-528-8242
Fax 480-655-1712**

Copyright 2002 by Crafcoc, Inc.